

GL-6530

SQUARE



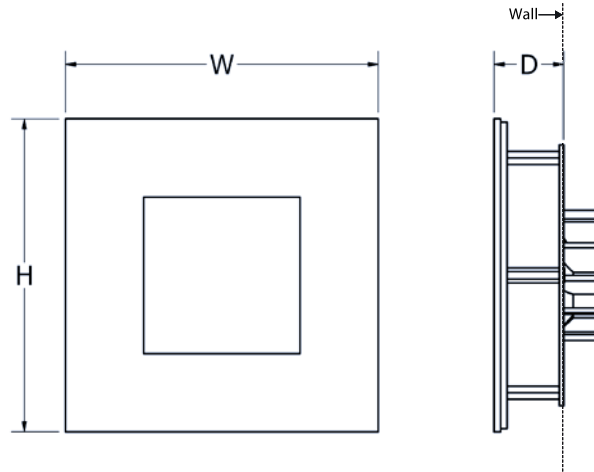
SQUARE

Interior LED Sconce

GLighting
Since 1908

9777 Reavis Park Drive
St. Louis, MO, 63123
800.331.2425 or 314.631.6000
Fax 314.631.7800

sales@glighting.com www.glighting.com



GENERAL SPECIFICATION

LED: 4W 3500K 85CRI GE Vio™ high power violet based white LED.

Less than 75K color shift and 70% lumen maintenance over 50,000 hour life.

No ultra violet light.

RoHS compliant, mercury free.

Listings: All components are UL recognized and drivers meet CE standards. Class 2 low voltage, inherently safe, wet location.

Driver: Powered by 350mA driver.

Polarized quick connect for ease of installation and replacement.

Mounts in 2-1/8" deep 4-O junction box Steel City box no. 54171 or equivalent. (Supplied by others)

Protection: Electronic internal, resettable short circuit protection. Thermal protection and overload regulation.

SAMPLE CATALOG NUMBER:						
GL-6530-		A-	S-	BA		
MODEL NO.		LAMPING	ACRYLIC	FINISH		
GL-6530	W in 6" mm 150 H in 6" mm 150 2lbs 1kg D in 1 5/16" mm 35	A. 4LED120V B. 4LED277V	Standard: W White Opal D Dichroic Acrylic is UL-94 HB Flame class rated.	Standard: Powder Coat Premium: Specify code from G-Lighting color chart. Backplate is matte white powder coat.		

All dimensions are nominal.

Lamp Definition

Lamp	LED	VOLTAGE	CRI	Rated Life Hrs ¹	Kelvin
4LED	4W LED	120	85	50000	3500
4LED	4W LED	277	85	50000	3500

¹Per GE LED Product Guide. Luminaire consumes 5W.