

GL-6505

# ILLUSION



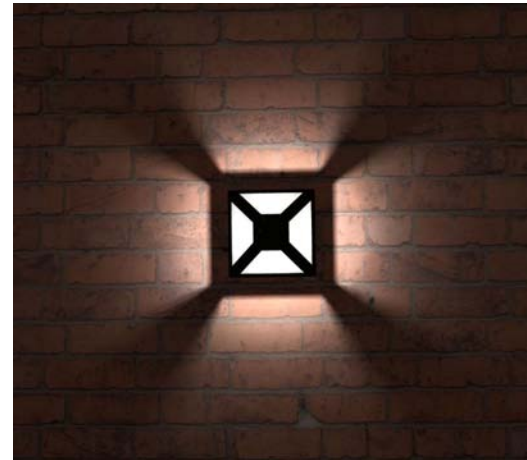
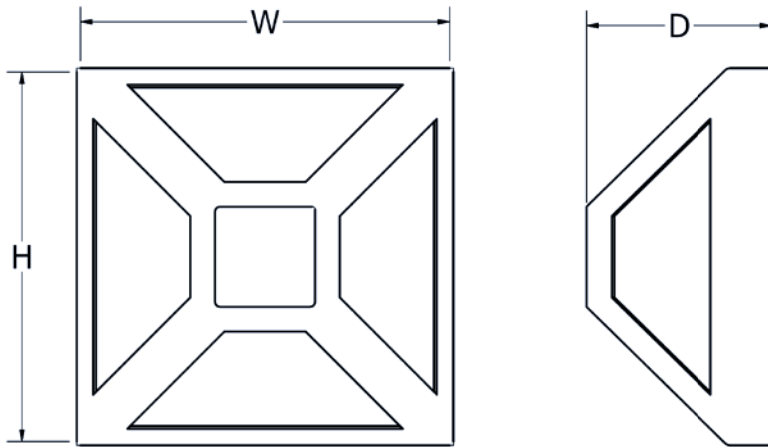
# ILLUSION

## Outdoor LED Sconce

GLighting  
Since 1908

9777 Reavis Park Drive  
St. Louis, MO, 63123  
800.331.2425 or 314.631.6000  
Fax 314.631.7800

sales@glighting.com www.glighting.com



### GENERAL SPECIFICATION

**LED:** 4W 3500K 85CRI GE Vio™ high power violet based white LED.

Less than 75K color shift and 70% lumen maintenance over 50,000 hour life.

No ultra violet light.

RoHS compliant, mercury free.

**Listings:** All components are UL recognized and drivers meet CE standards. Class 2 low voltage, inherently safe, wet location.

**Driver:** Powered by 350mA driver.

Polarized quick connect for ease of installation and replacement.

Mounts in 2-1/8" deep 4-O junction box Steel City box no. 54171 or equivalent. ( Supplied by others)

Protection: Electronic internal, resettable short circuit protection. Thermal protection and overload regulation.

SAMPLE CATALOG NUMBER: GL-6505-			A-	TB
MODEL NO.	LAMPING	FINISH		
GL-6505 W in 8" mm 200 H in 8" mm 200 5lbs 2.5kg D in 4" mm 100	A. 4LED120 B. 4LED277	Standard: Powder Coat Specify code from G-Lighting color chart. Backplate is matte white powder coat.		

All dimensions are nominal.

### Lamp Definition

Lamp	LED	VOLTAGE	CRI	Rated Life Hrs <sup>1</sup>	Kelvin
4LED120	4W LED	120	85	50000	3500
4LED277	4W LED	277	85	50000	3500

<sup>1</sup>Per GE LED Product Guide. Luminaire consumes 5W.