



G-59970-C-4
Triangle Leaf Lens
5-3/4" Width, 24" Height, 4" Ext.

Coordinate with your current application using product from your decorative cast resin provider such as 3form[®], Lumicor[®], etc.



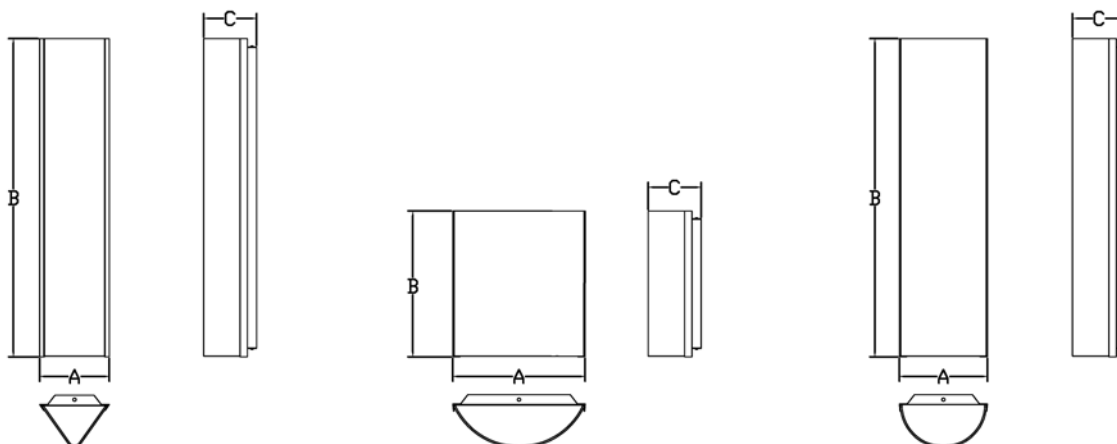
G-59980-B-4
Half Round Grass Lens
Rosculux Gel # 4415
10" Width, 11" Height, 4" Ext.



G-59982-C-4
Half Round Leaf Lens
5-3/4" Width, 13-1/4" Height, 4" Ext.

Photosynthesis ADA Wall Sconces

9777 Reavis Park Drive—St. Louis, MO 63123
Toll Free (800) 331-2425—Phone: (314) 631-6000—Fax: (314) 631-7800
Email: sales@glighting.com—Web: www.glighting.com



Dimension Legend: A = Width B = Height C = Extension

MODEL NO.	LENS	SIZE	LAMPING
G-59970	Triangle	5-3/4" Width, 24" Height, 4" Extension	1 T5HO 24W MIN BIPIN G5 Universal Voltage
G-59971	Triangle	5-3/4" Width, 36" Height, 4" Extension	1 T5HO 39W MIN BIPIN G5 Universal Voltage
G-59972	Triangle	5-3/4" Width, 48" Height, 4" Extension	1 T5HO 54W MIN BIPIN G5 Universal Voltage
G-59980	Half Round	10" Width, 11" Height, 4" Extension	2 CFQ-26 G24q-3 4 PIN Universal Voltage
G-59982	Half Round	5-3/4" Width, 13-1/4" Height, 4" Extension	1 CF18 2G11 4 PIN Universal Voltage
G-59983	Half Round	5-3/4" Width, 19" Height, 4" Extension	1 CF36/39 2G11 4 PIN Universal Voltage
G-59984	Half Round	5-3/4" Width, 24" Height, 4" Extension	1 T5HO 24W MIN BIPIN G5 Universal Voltage
G-59985	Half Round	5-3/4" Width, 36" Height, 4" Extension	1 T5HO 39W MIN BIPIN G5 Universal Voltage
G-59986	Half Round	5-3/4" Width, 48" Height, 4" Extension	1 T5HO 54W MIN BIPIN G5 Universal Voltage

Fixtures standard with Painted White Finish and White Perforated Top and Bottom.

LENS MATERIAL*

B	Grass Cast Resin
C	Leaf Cast Resin
W	White Opal Acrylic
S	Satin White Acrylic
F	Faux Alabaster Acrylic
M	Earth Marble Acrylic

***Coordinate with your current application using product from your decorative cast resin provider such as 3form[®], Lumicor[®], etc.**

OPTIONS

- Emergency Ballast Remotely Mounted
- Dimming Ballast Remotely Mounted
- Gel (Must specify Roscolux Color #)
- No Options Needed

HOW TO SPECIFY

To specify a 24" Triangle Leaf Sconce with Roscolux Gel #4415 and emergency ballast:

G-59970-C-1,3 #4415

G-59970- C- 1,3 #4415

Fixture No.	_____
Lens	_____
Options	_____

These **G Lighting** products are Union made and E.T.L. listed for US & Canada. **G Lighting** reserves the right to modify existing designs to improve appearance or function.