



Lighting
GROSS CHANDELIER

Fine Lighting Since 1908

Sophia
Outdoor Wall Sconce



**NEW! LED AND
GU24 OPTIONS**

G-89900-LED-A-H-4

NEW! Gun Metal Gray Finish



G-89900-D26-A-GM-4

Possible Applications

- Malls
- Schools
- Universities
- Assisted living
- Hospitals
- Office Buildings
- Churches
- Restaurants

Fluorescent or metal halide ballast enclosed in back box as shown.

Sophia

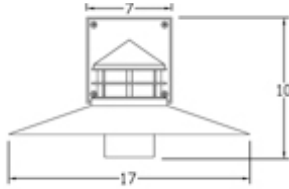
Outdoor Wall Sconce

9777 Reavis Park Drive
 St. Louis, MO 63123
 800-331-2425 or 314-631-6000
 Fax 314-631-7800
 sales@glighting.com www.glighting.com

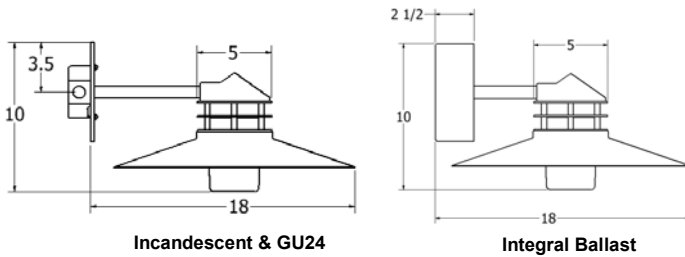


G-89900

Front View



Side View



DIFFUSER OPTIONS

- A Glass—White Opal Flat Bottom
- B Glass—Frosted Round Bottom
- C Glass—Clear Round Bottom
- D Glass—Clear Prismatic Round Bottom
- E Polycarbonate*—White Opal Flat Bottom
- F Polycarbonate*—Clear Prismatic Flat Bottom

*Polycarbonate diffusers only available with compact fluorescent lamping options.

FINISHES All powder coat paints except Brushed Aluminum

- | | |
|---------------------------------|--------------------------------|
| GM Gun Metal <i>NEW!</i> | G Light Bronze |
| A Satin Black | H Dark Bronze |
| B Reflector White | I Painted Antique Brass |
| C Painted Aluminum | J Gray Granite |
| D New Satin Nickel | K Light Verdigris |
| E Faux Rust | L Sungold |
| F Beige | P Brushed Aluminum |

NOW AVAILABLE WITH LED OPTION!

1 7W 3500K 85 CRI 120V or 277V
 Choose lamping code "LED"

Driver may be mounted in standard 4-11/16" square, 2-1/8" deep j-box.
 Contact factory for other mounting options.
 LED module is field replaceable.

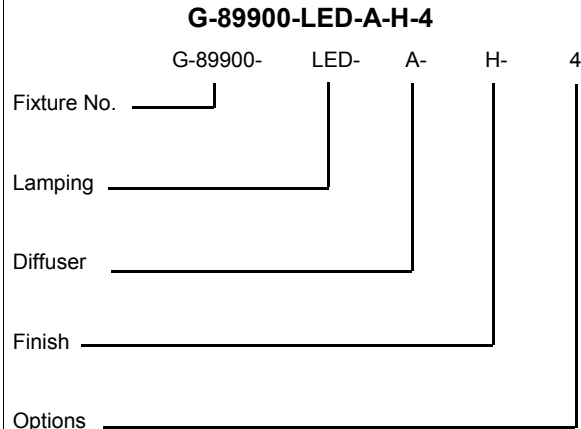
*This G Lighting LED product is Union made in the U.S.A. and manufactured using U.L. Recognized Components.

OPTIONS

- 1 Dimming Ballasts Remotely Mounted (Compact Fluorescent Only)
- 2 Emergency Ballast Remotely Mounted (Compact Fluorescent Only)
- 4 No options needed.

HOW TO SPECIFY

To specify a Sophia sconce with white flat bottom glass, 7W LED, painted Dark Bronze finish with no options.



LAMPING (Back box will be used with Fluorescent and Metal Halide Lamping.)

- A** 1 - 200W Max. A-21 Medium Base 120V
- LED** 1 7W 3500K 85 CRI 120 or 277V (see codes below)
- GU1** 1 13W GU24 base 120V—Includes 2700K spiral lamp
- GU2** 1 18W GU24 base 120V—Includes 2700K spiral lamp
- GU3** 1 26W GU24 base 120V—Includes 2700K spiral lamp
- B** 1 - CFQ-13 G24q-1 4 pin Universal Voltage
- C** 1 - CFQ-18 G24q-2 4 pin Universal Voltage
- D26** 1 - CFTR26 GX24q-3 4 pin Universal Voltage
- D32** 1 - CFTR32 GX24q-3 4 pin Universal Voltage
- E** 1 - 70W Metal Halide ED-17P/O M98 Pulse Rated Medium Base Electronic Extreme Temperature Ballast
- F** 1 - 100W Metal Halide ED-17P/O M90 Pulse Rated Medium Base Electronic Extreme Temperature Ballast
- G** 1 - 150W Metal Halide ED-17P/O M102 Pulse Rated Medium Base Electronic Extreme Temperature Ballast

Please state voltage for LED & Metal Halide lamping using the following code behind lamp code: Code 1 120V Code 2 277V Contact Factory for 347V

All ballasts are integral with a rating of -30°C.

These G Lighting products are Union made and C.E.T.L.U.S. listed for wet location.* G Lighting reserves the right to modify existing designs to improve appearance or function.