



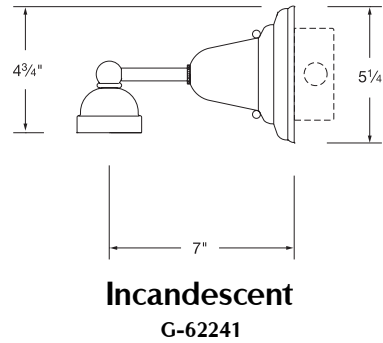
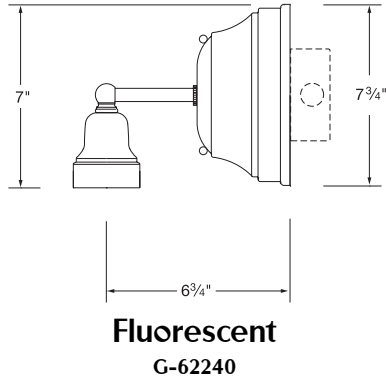
Entrée

G-62240-A-E-E

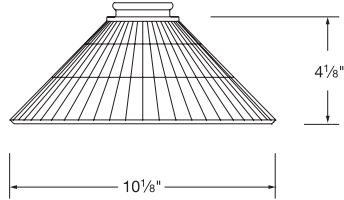


Dessert

G-62241-B-H-T

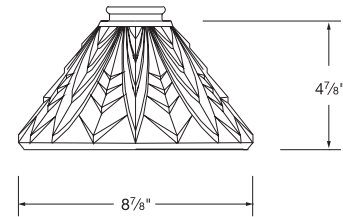


Entrée Glass
E-Clear
F-Frosted



Matching Pendant: Cone Café

Dessert Glass
G-Clear
H-Frosted



Matching Pendant: Deco Café

Lamping

Incandescent	Lumens	Lamp Base	Voltage	Code
1-100 A-19	1650	Medium	120	A
Fluorescent				
1-CFQ-13	765	G24q-1, 4 Pin	Universal	B

Options

All Ballasts are High Power Factor Electronic.

Code

- Emergency Ballast, for fluorescent fixtures. Remotely mounted.
- Damp Location (Only available with painted or Brushed Aluminum finish.)
- No Options Needed

Finishes

Standard Painted Finishes		Code	Code
Satin Black	A	Light Bronze	G
Reflector White	B	Dark Bronze	H
Painted Aluminum	C	Painted Antique Brass	I
New Satin Nickel	D	Gray Granite	J
Faux Rust	E	Light Verdigris	K
Beige	F	Sungold	L
Standard Metallic Finishes			
Polished Brass	M	Antique Brass	O
Satin Brass	N	Brushed Aluminum	P
Premium Finishes (Check with factory for price & availability)			
Polished Nickel	Q	Satin Chrome	U
Satin Nickel	R	Flemish Brass	V
Antique Nickel	S	Polished Copper	W
Polished Chrome	T	Antique Copper	X
		Oil Rubbed Bronze	Y

How To Specify

To specify a Sconce with 1 CFQ-13 Compact Fluorescent Lamping, Frosted Dessert Glass, Polished Brass Finish, No Options Needed:

G-62240-B-H-M-3

