



**Augustus**

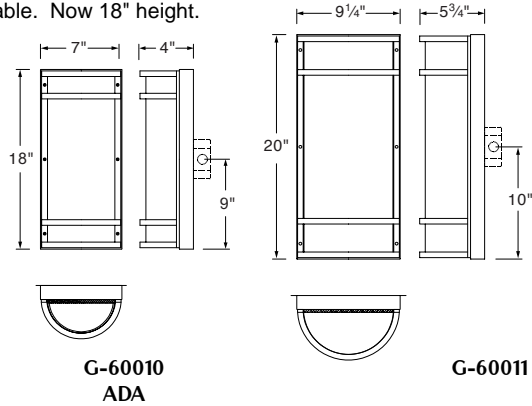
G-60010-W-N  
ADA



**Pompey**

G-60015-W-DA  
ADA

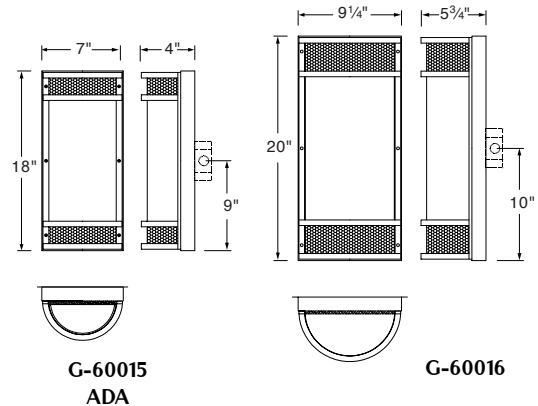
Effective 11/18/08 -16" height no longer available. Now 18" height.



G-60010  
ADA

G-60011

## Augustus



G-60015  
ADA

G-60016

## Pompey

### Lamping

Incandescent	Lumens	Lamp Base	Voltage	Code
2-40 T-10	1480	Medium	120	A
<b>Compact Fluorescent</b>				
2-CFQ-13	1530	G24q-1, 4 Pin	Universal	B
2-CFQ-18	1960	G24q-2, 4 Pin	Universal	C
2-CFQ-26	2920	G24q-3, 4 Pin	Universal	D
1-CF-36/39	2510	2G11, 4 Pin	Universal	E

CF-39 lamp M.O.L. 16 1/2" long

### Options

Electronic Ballasts are High Power Factor, Class "P", Thermally Protected, with less than 10% Total Harmonic Distortion with end of Lamp Life Protection.

#### Code

- 1 Top Lens
- 2 Bottom Lens
- 3 Integral Dimming Ballasts (specify voltage)
- 4 Emergency Ballast, for fluorescent fixtures. Remotely mounted.
- 5 Damp Location (Painted or Brushed Aluminum finishes only.)
- 6 No Options Needed

### Lenses

	CODE
White Opal	W
Satin White	S
Faux Alabaster	F
Earth Marble	M

### Finishes

Perf only available in brushed aluminum or painted finishes.

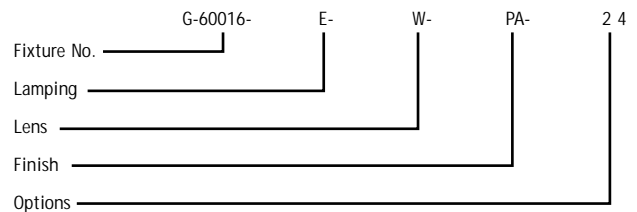
Standard Painted Finishes	Code		Code
Satin Black	A	Light Bronze	G
Reflector White	B	Dark Bronze	H
Painted Aluminum	C	Painted Antique Brass	I
New Satin Nickel	D	Gray Granite	J
Faux Rust	E	Light Verdigris	K
Beige	F	Sungold	L
<b>Standard Metallic Finishes</b>			
Polished Brass	M	Antique Brass	O
Satin Brass	N	Brushed Aluminum	P
<b>Premium Finishes (Check with factory for price &amp; availability)</b>			
Polished Nickel	Q	Satin Chrome	U
Satin Nickel	R	Flemish Brass	V
Antique Nickel	S	Polished Copper	W
Polished Chrome	T	Antique Copper	X
		Oil Rubbed Bronze	Y

Matching Fixtures: Contact factory.

### How To Specify

To specify a 20" tall Pompey Sconce with 1-39 Watt Compact Fluorescent Lamping, with a White Opal Lens, Brushed Aluminum with Black Perf Finish, Bottom Lens, with a Remote Emergency Ballast:

**G-60016-E-W-PA-24**



Note: When using perf, two finishes must be specified even if a single finish is desired-IE All Satin Black-AA. First letter is for the primary finish, second is for perf.

For Wet Location Sconces see "Centurion Wet Location".

These G Lighting products are Union made and E.T.L./C.S.A. listed. G Lighting reserves the right to modify existing designs to improve appearance or function.