

Effective 11/18/08 -16" height no longer available. Now 18" height.

Wet Location



Constellation

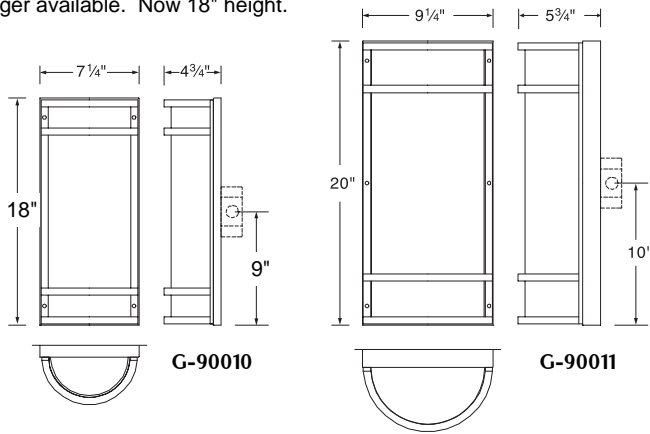
G-90010-F-F



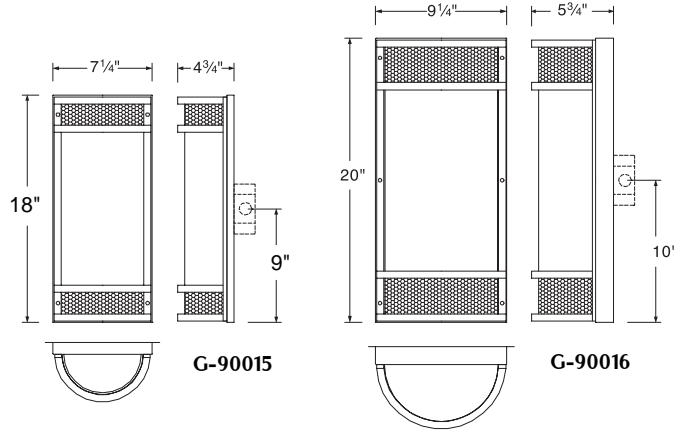
Constitution

G-90015-W-EA

Effective 11/18/08 -16" height no longer available. Now 18" height.



Constellation



Constitution

Lamping

Incandescent	Lumens	Lamp Base	Voltage	Code
2-40 T-10	880	Medium	120	A
Compact Fluorescent				
2-CFQ-13	1530	G24q-1, 4 Pin	Universal	B
2-CFQ-18	1960	G24q-2, 4 Pin	Universal	C
2-CFQ-26	2920	G24q-3, 4 Pin	Universal	D
1-CF-36/39	2510	2G11, 4 Pin	Universal	E

CF-39 lamp M.O.L. 16 1/2" long

Lenses

	CODE
White Opal	W
Satin White	S
Faux Alabaster	F
Earth Marble	M

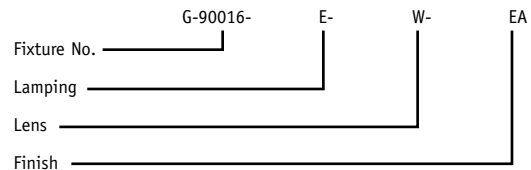
Finishes

Standard Painted Finishes	Code		Code
Satin Black	A	Light Bronze	G
Reflector White	B	Dark Bronze	H
Painted Aluminum	C	Painted Antique Brass	I
New Satin Nickel	D	Gray Granite	J
Faux Rust	E	Light Verdigris	K
Beige	F	Sungold	L
Standard Metallic Finish			
Brushed Aluminum	P		

How To Specify

To specify a 20" tall Constitution Sconce with 1-39 Watt Compact Fluorescent Lamping, White Opal Lens, and Faux Rust with Black Perf Finish:

G-90016-E-W-EA



Note: When using perf, two finishes must be specified even if a single finish is desired-IE All Satin Black-AA. First letter is for the primary finish, second is for perf.

Matching Fixtures: Contact factory.

For Dry Location, see Centurion Sconces.