



Trident

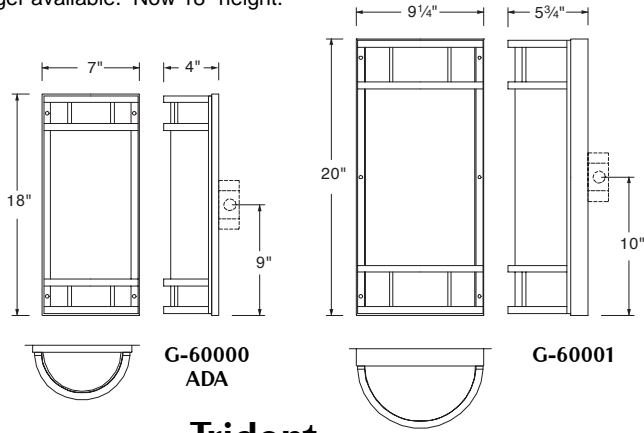
G-60000-F-E
ADA



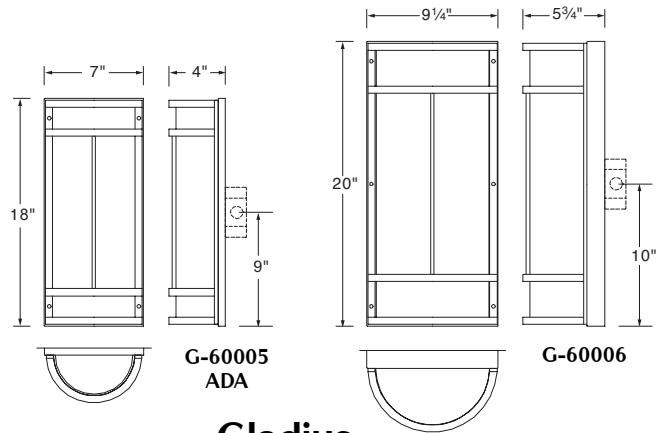
Gladius

G-60005-W-P
ADA

Effective 11/18/08 -16" height no longer available. Now 18" height.



Trident



Gladius

Lamping

Incandescent	Lumens	Lamp Base	Voltage	Code
2-40 T-10	1480	Medium	120	A
Compact Fluorescent				
2-CFQ-13	1530	G24q-1, 4 Pin	Universal	B
2-CFQ-18	1960	G24q-2, 4 Pin	Universal	C
2-CFQ-26	2920	G24q-3, 4 Pin	Universal	D
1-CF-36/39	2510	2G11, 4 Pin	Universal	E

CF-39 Lamp M.O.L. 16 1/2" long

Options

Electronic Ballasts are High Power Factor, Class "P", Thermally Protected, with less than 10% Total Harmonic Distortion with end of Lamp Life Protection.

Code

- 1 Top Lens
- 2 Bottom Lens
- 3 Integral Dimming Ballasts (specify voltage)
- 4 Emergency Ballast, for fluorescent fixtures. Remotely mounted.
- 5 Damp Location (Painted or Brushed Aluminum finishes only.)
- 6 No Options Needed

Lenses

	CODE
White Opal	W
Satin White	S
Faux Alabaster	F
Earth Marble	M

Finishes

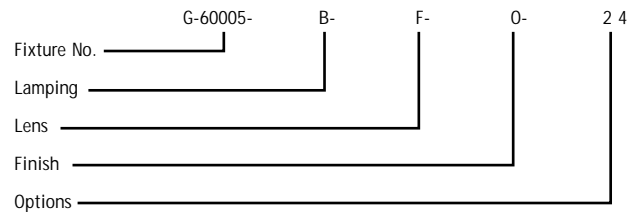
Standard Painted Finishes		Code
Satin Black	A	Light Bronze G
Reflector White	B	Dark Bronze H
Painted Aluminum	C	Painted Antique Brass I
New Satin Nickel	D	Gray Granite J
Faux Rust	E	Light Verdigris K
Beige	F	Sungold L
Standard Metallic Finishes		Code
Polished Brass	M	Antique Brass O
Satin Brass	N	Brushed Aluminum P
Premium Finishes (Check with factory for price & availability)		
Polished Nickel	Q	Satin Chrome U
Satin Nickel	R	Flemish Brass V
Antique Nickel	S	Polished Copper W
Polished Chrome	T	Antique Copper X
		Oil Rubbed Bronze Y

Matching Fixtures: Contact factory.

How To Specify

To specify a 18" tall Gladius Sconce with 2-13 Watt Compact Fluorescent Lamping, with a Faux Alabaster Lens, Antique Brass Finish, Bottom Lens, with a Remote Emergency Ballast:

G-60005-B-F-0-24



For Wet Location Sconces see "Centurion Wet Location".