



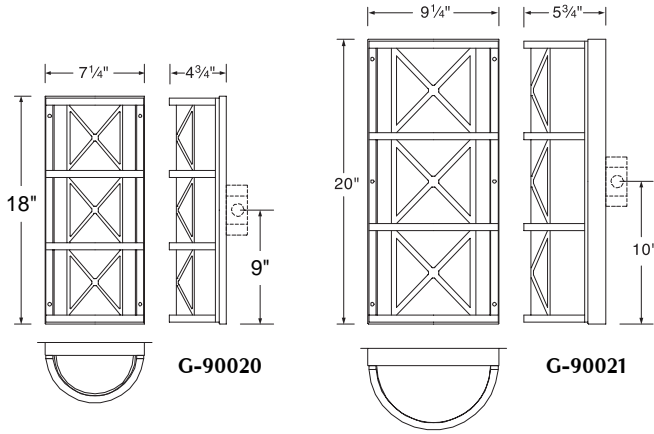
**Trireme**

G-90020-W-K

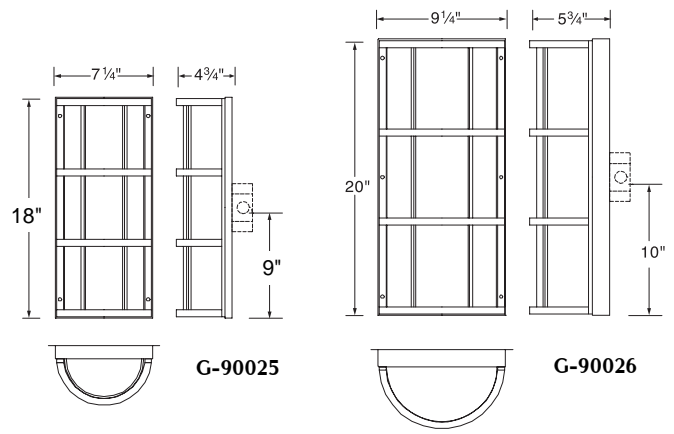


**Admiral**

G-90025-W-P



**Trireme**



**Admiral**

## Lamping

Incandescent	Lumens	Lamp Base	Voltage	Code
2-40 T-10	880	Medium	120	A
<b>Compact Fluorescent</b>				
2-CFQ-13	1530	G24q-1, 4 Pin	Universal	B
2-CFQ-18	1960	G24q-2, 4 Pin	Universal	C
2-CFQ-26	2920	G24q-3, 4 Pin	Universal	D
1-CF-36/39	2510	2G11, 4 Pin	Universal	E

CF-39 lamp M.O.L. 16 1/2" long

## Lenses

	CODE
White Opal	W
Satin White	S
Faux Alabaster	F
Earth Marble	M

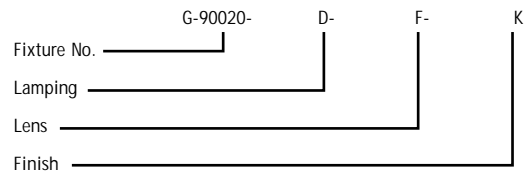
## Finishes

Standard Painted Finishes	Code		Code
Satin Black	A	Light Bronze	G
Reflector White	B	Dark Bronze	H
Painted Aluminum	C	Painted Antique Brass	I
New Satin Nickel	D	Gray Granite	J
Faux Rust	E	Light Verdigris	K
Beige	F	Sungold	L
<b>Standard Metallic Finish</b>			
Brushed Aluminum	P		

## How To Specify

To specify a 18" tall Trireme Sconce with 2-26 Watt Compact Fluorescent Lamping, Faux Alabaster Lens, and Light Verdigris Finish:

**G-90020-D-F-K**



Matching Fixtures: Contact factory.

For Dry Location, see Centurion Sconces.