



GL-2530

DISPATCH

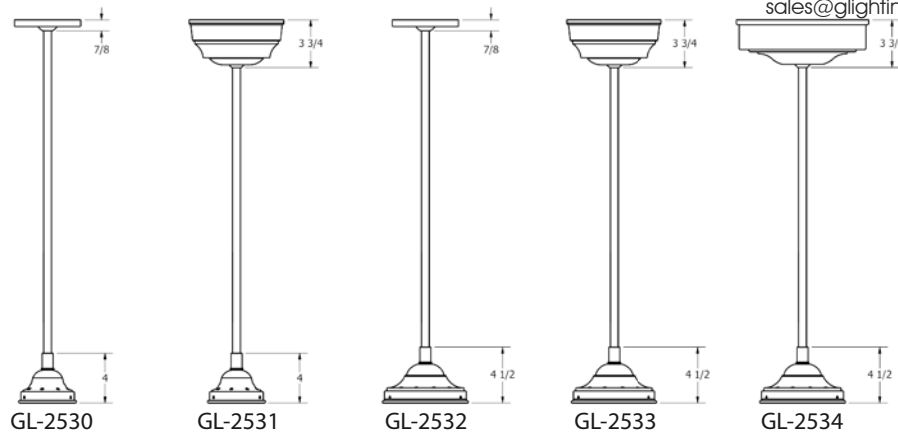


DISPATCH

Schoolhouse Pendant

GLighting
Since 1908

9777 Reavis Park Drive
St. Louis, MO, 63123
800.331.2425 or 314.631.6000
Fax 314.631.7800



4" Fitter

6" Fitter

GENERAL SPECIFICATION

Canopy: May be mounted on flat or sloped ceilings up to 40°.

GU24: Complies with Title 24. Fixture includes lamps. 120v only.

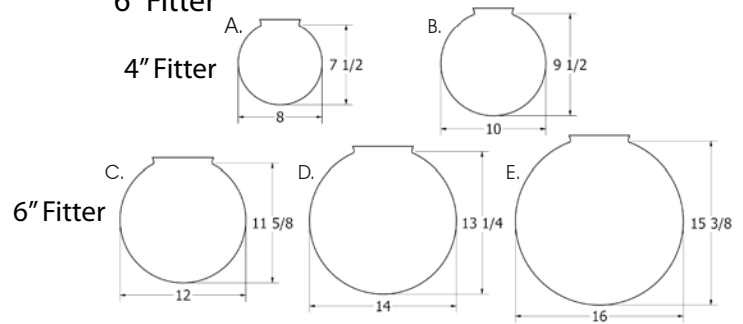
Lamping: Standard lamping packages offer long lamp life, high power factor energy efficient electronic ballast.

Body: 18ga steel or .050 aluminum glass fitter.

Glass: White opal diffuser hand blown in the USA.

Modifications: Consult factory for lamping or cluster options.

Finish: Highly durable oven cured no VOC premium powder coat.



SAMPLE CATALOG NUMBER: GL-2530- C- A- NSN- A- 036					
MODEL NO.	LAMPING	GLASS	FINISH	OPTION(S)	OVERALL HEIGHT
GL-2530	A. 1GU26 B. 1GU32 C. 1GU42 D. 1GU25DIM GU - 120v only	4" Fitter: A. 8" x 7 1/2" B. 10" x 9 1/2"	Standard: Powder Coat Specify code from G-Lighting color chart	A. No Options B. Damp Location Available in powder coat or Brushed Aluminum finish.	Specify overall height in inches.
GL-2531	E. 1CFQ13 H. 1CFT26 F. 1CFQ18 I. 1CFT32 G. 1CFQ26 J. 1CFT42	6" Fitter: C. 12" x 11 5/8" D. 14" x 13 1/4" E. 16" x 15 3/8"	Premium: Specify code from G-Lighting color chart	D. Dimming See dimming chart. E. Emergency Ballast Operates one fluorescent lamp. Remotely mounted. Specify voltage after code. Not compatible with GU24.	
GL-2532	A. 1GU26 B. 1GU32 C. 1GU42 D. 1GU25DIM GU - 120v only				
GL-2533 <small>Available with all GL-2531 lamping</small>	K. 2CFQ13 N. 2CFT26 L. 2CFQ18 O. 2CFT32 M. 2CFQ26 P. 2CFT42				
GL-2554	Q. 3CFT26 Specify Voltage Q-S: R. 3CFT32 1 - 120v S. 3CFT42 2 - 277v T. 1MH50 U. 1MH70 V. 1MH100				

All dimensions are nominal.

Lamp Code Definition

Code	Fluorescent	Lamp Base	Incandescent Equivalent ¹	Rated Life Hrs ¹	Rated Lumens ¹	Kelvin	Code	Fluorescent	Lamp Base	Rated Life Hrs ¹	Rated Lumens ¹
GU26	GU24 26W	GU24	100W	10000	1650	2700	CFQ13	CFQ 13W	G24q-1	17000	755
GU32	GU24 32W	GU24	120W	10000	2200	2700	CFQ18	CFQ 18W	G24q-2	17000	970
GU42	GU24 42W	GU24	150W	10000	2730	2700	CFQ26	CFQ 26W	GX24q-3 4PIN	17000	1530
GU25DIM	GU24 25W	GU24	100W	8000	1750	2700	CFT26	CFTR 26W	GX24q-3 4PIN	17000	1530
				Rated Life Hrs ¹	Rated Lumens ¹		CFT32	CFTR 32W	GX24q-3 4PIN	17000	2010
Code	Metal Halide	Lamp Base					CFT42	CFTR 42W	GX24q-4 4PIN	17000	2690
1MH50	BD-17 50W	Medium		10000	2000						
1MH70	BD-17 70W	Medium		12000	3300						
1MH100	BD-17 100W	Medium		15000	5900						

¹Per MAXLITE & GE lamp products catalog. Contact factory for availability of other lamp configurations including LED.

