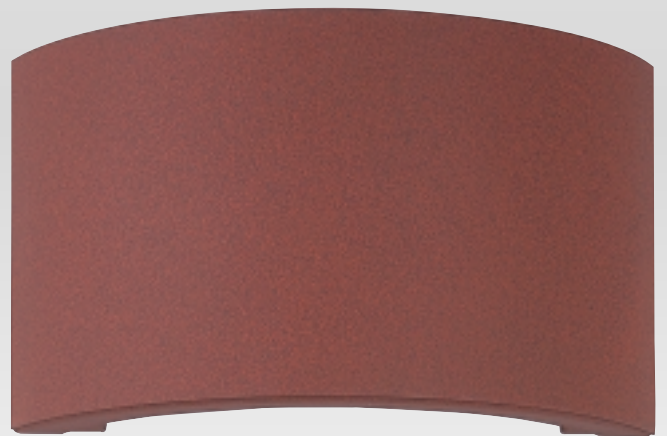




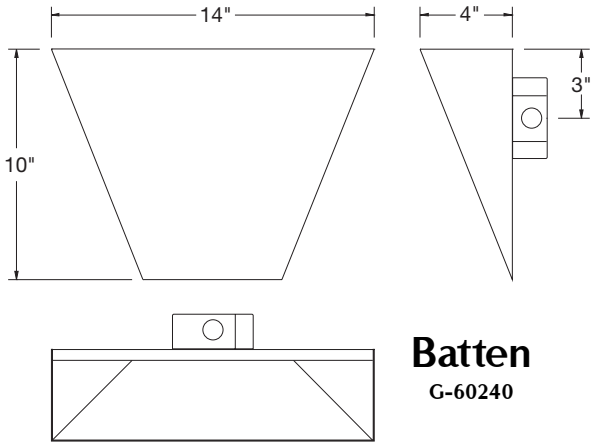
**Batten**

G-60240-B-C

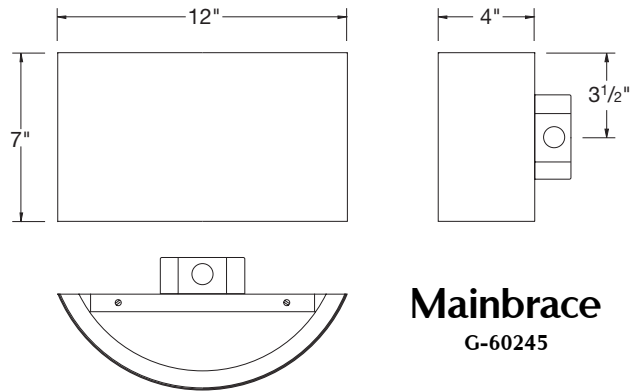


**Mainbrace**

G-60245-F-E



**Batten**  
G-60240



**Mainbrace**  
G-60245

## Lamping

Incandescent	Lumens	Lamp Base	Voltage	Code
2-60 A-19	1710	Medium	120	G
<b>Compact Fluorescent</b>				
2-CF-13	1420	GX23, 2 Pin	120 only	C
2-CFQ-13	1530	G24q-1, 4 Pin	Universal	D
2-CFQ-18	1960	G24q-2, 4 Pin	Universal	E
2-CFQ-26	2920	G24q-3, 4 Pin	Universal	F

## Options

Magnetic Ballasts are normal power factor, Class "P", thermally protected.

Electronic Ballasts are High Power Factor, Class "P", Thermally Protected, with less than 10% Total Harmonic Distortion with end of Lamp Life Protection.

### Code

- 1 Top Lens
- 2 Bottom Lens
- 3 Emergency Ballast, for fluorescent fixtures. Remotely mounted.
- 4 No Options Needed

## Finishes

Standard Painted Finishes	Code		Code
Satin Black	A	Light Bronze	G
Reflector White	B	Dark Bronze	H
Painted Aluminum	C	Painted Antique Brass	I
New Satin Nickel	D	Gray Granite	J
Faux Rust	E	Light Verdigris	K
Beige	F	Sungold	L

### Standard Metallic Finishes

Polished Brass	M	Antique Brass	O
Satin Brass	N		

### Premium Finishes (Check with factory for price & availability)

Polished Nickel	Q	Satin Chrome	U
Satin Nickel	R	Flemish Brass	V
Antique Nickel	S	Polished Copper	W
Polished Chrome	T	Antique Copper	X
		Oil Rubbed Bronze	Y

Matching Fixtures: Contact factory.

## How To Specify

To Specify a Mainbrace Sconce with 2-CFQ-26 Compact Fluorescent Lamping, Painted Aluminum Finish and Bottom Lens with Remote Emergency Ballast:

**G-60245-F-C-23**

