



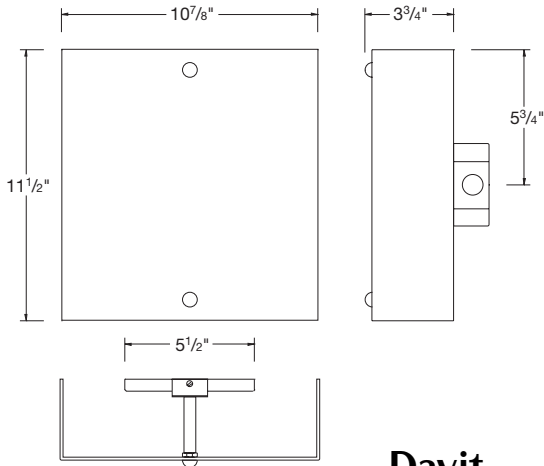
Davit

G-60230-E-F-H

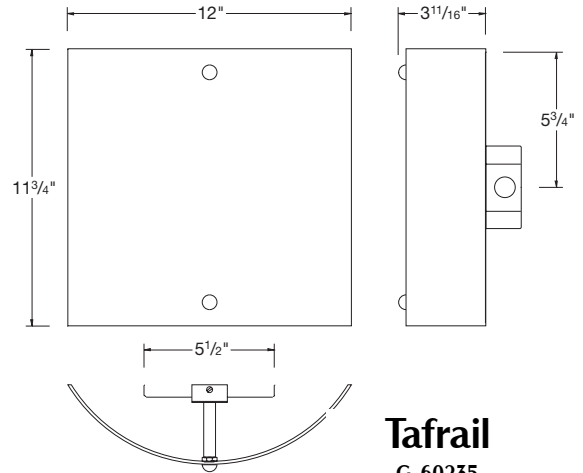


Tafrail

G-60235-A-W-M



Davit
G-60230



Tafrail
G-60235

Lamping

Incandescent	Lumens	Lamp Base	Voltage	Code
1-40 T-10	740	Medium	120	A
2-40 T-10	1480	Medium	120	B
Compact Fluorescent				
2-CF-13	1420	GX23, 2 Pin	120 only	C
2-CFQ-13	1530	G24q-1, 4 Pin	Universal	D
2-CFQ-18	1960	G24q-2, 4 Pin	Universal	E
2-CFQ-26	2920	G24q-3, 4 Pin	Universal	F

Options

Magnetic Ballasts are normal power factor, Class "P", thermally protected.

Electronic Ballasts are High Power Factor, Class "P", Thermally Protected, with less than 10% Total Harmonic Distortion with end of Lamp Life Protection.

Code

- 1 Top Lens
- 2 Bottom Lens
- 3 Emergency Ballast, for fluorescent fixtures. Remotely mounted.
- 4 No Options Needed

Lenses

	CODE
White Opal	W
Satin White	S
Faux Alabaster	F
Earth Marble	M

Finishes

Standard Painted Finishes	Code		Code
Satin Black	A	Light Bronze	G
Reflector White	B	Dark Bronze	H
Painted Aluminum	C	Painted Antique Brass	I
New Satin Nickel	D	Gray Granite	J
Faux Rust	E	Light Verdigris	K
Beige	F	Sungold	L

Standard Metallic Finishes

Polished Brass	M	Antique Brass	O
Satin Brass	N		

Premium Finishes (Check with factory for price & availability)

Polished Nickel	Q	Satin Chrome	U
Satin Nickel	R	Flemish Brass	V
Antique Nickel	S	Polished Copper	W
Polished Chrome	T	Antique Copper	X
		Oil Rubbed Bronze	Y

Matching Fixtures: Contact factory.

How To Specify

To Specify a Davit Sconce with 2-CFQ-26 Compact Fluorescent Lamping, White Opal Lens with Satin Black Finish and Bottom Lens with Remote Emergency Ballast:

G-60230-F-W-A-23

