

**Spritsail**

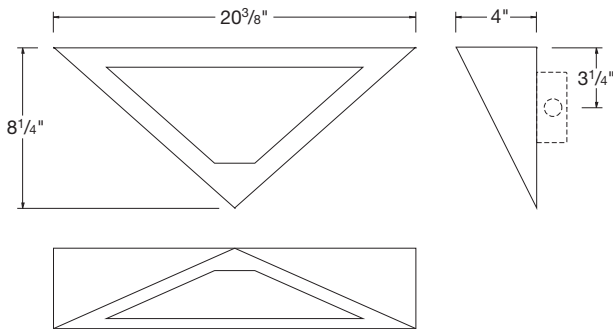
G-60270-B-W-A



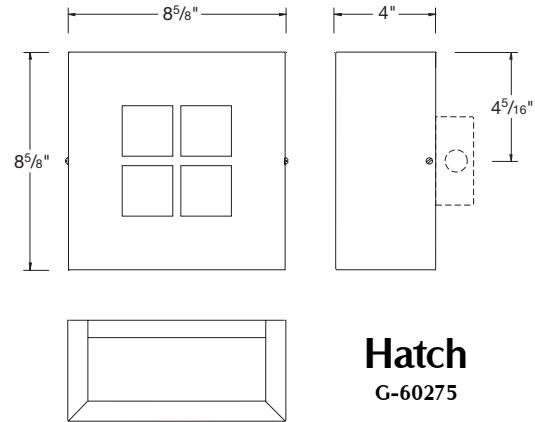
**Hatch**

G-60275-C-W-E





**Spritsail**  
G-60270



**Hatch**  
G-60275

Matching Pendant: Vector Pyramid

Matching Fixtures: Contact factory.

## Lamping

Incandescent	Lumens	Lamp Base	Voltage	Code
1-40 T-10	740	Medium	120	A
2-40 T-10	1480	Medium	120	B
Compact Fluorescent				
2-CF-13	1420	GX23, 2 Pin	120 only	C
2-CFQ-13	1530	G24q-1, 4 Pin	Universal	D
2-CFQ-18	1960	G24q-2, 4 Pin	Universal	E
2-CFQ-26	2920	G24q-3, 4 Pin	Universal	F

## Options

Magnetic Ballasts are normal power factor, Class "P", thermally protected.

Electronic Ballasts are High Power Factor, Class "P", Thermally Protected, with less than 10% Total Harmonic Distortion with end of Lamp Life Protection.

### Code

- 1 Top Lens
- 2 Bottom Lens
- 3 Emergency Ballast, for fluorescent fixtures. Remotely mounted.
- 4 No Options Needed

## Lenses

### CODE

White Opal	W
Satin White	S
Faux Alabaster	F
Earth Marble	M

## Finishes

Standard Painted Finishes	Code		Code
Satin Black	A	Light Bronze	G
Reflector White	B	Dark Bronze	H
Painted Aluminum	C	Painted Antique Brass	I
New Satin Nickel	D	Gray Granite	J
Faux Rust	E	Light Verdigris	K
Beige	F	Sungold	L
Standard Metallic Finishes			
Polished Brass	M	Antique Brass	O
Satin Brass	N		
Premium Finishes (Check with factory for price & availability)			
Polished Nickel	Q	Satin Chrome	U
Satin Nickel	R	Flemish Brass	V
Antique Nickel	S	Polished Copper	W
Polished Chrome	T	Antique Copper	X
		Oil Rubbed Bronze	Y

## How To Specify

To Specify a Hatch Sconce with 2-CFQ-13 Compact Fluorescent Lamping, Satin White lens, Faux Rust Finish and Bottom Lens with Remote Emergency Ballast:

**G-60275-D-S-E-23**

