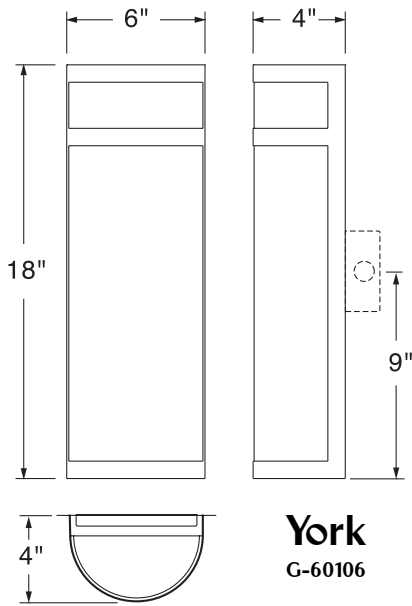




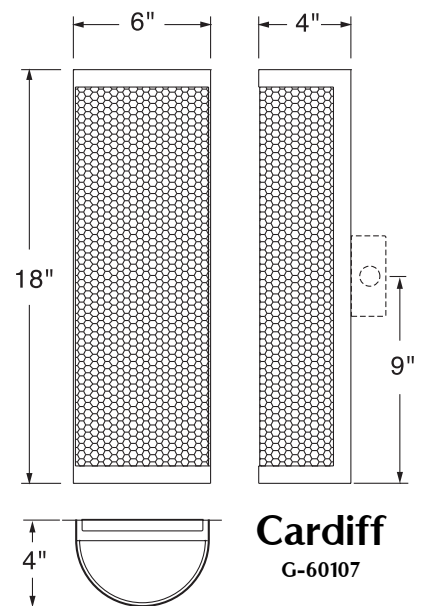
York
G-60106-G-S-H-4



Cardiff
G-60107-F-B-C-4



York
G-60106



Cardiff
G-60107

Lamping

Incandescent	Lumens	Lamp Base	Voltage	Code
1-40 T-10	740	Medium	120	A
2-40 T-10	1480	Medium	120	B
Fluorescent				
2-CF-13	1420	GX23, 2 Pin	120 only	C
2-CFQ-13	1530	G24q-1, 4 Pin	Universal	D
2-CFQ-18	1960	G24q-2, 4 Pin	Universal	E
2-CFQ-26	2920	G24q-3, 4 Pin	Universal	F
1-CF-36/39	2510	2G11, 4 Pin	Universal	G

CF-39 lamp M.O.L. 16 1/2" long

Options

Magnetic Ballasts are normal power factor, Class "P", thermally protected.
 Electronic Ballasts are High Power Factor, Class "P", Thermally Protected, with less than 10% Total Harmonic Distortion with end of Lamp Life Protection.

Code

- 1 Top Lens
- 2 Bottom Lens
- 3 Emergency Ballast, for fluorescent fixtures. Remotely mounted.
- 4 No Options Needed

Lenses

	CODE
Lexefx® Perf	L
Lexefx® Satin White	T
Perf over Lexefx® Satin White	B

Finishes

Perf only available in brushed aluminum or painted finishes.

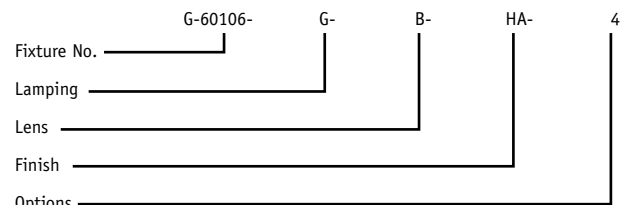
Standard Painted Finishes	Code		Code
Satin Black	A	Light Bronze	G
Reflector White	B	Dark Bronze	H
Painted Aluminum	C	Painted Antique Brass	I
New Satin Nickel	D	Gray Granite	J
Faux Rust	E	Light Verdigris	K
Beige	F	Sungold	L
Standard Metallic Finishes			
Polished Brass	M	Antique Brass	O
Satin Brass	N		
Premium Finishes (Check with factory for price & availability)			
Polished Nickel	Q	Satin Chrome	U
Satin Nickel	R	Flemish Brass	V
Antique Nickel	S	Polished Copper	W
Polished Chrome	T	Antique Copper	X
		Oil Rubbed Bronze	Y

Matching Fixtures: Contact factory.

How To Specify

To specify G-60106 with 1-39 Watt Compact Fluorescent Lamping, Lexefx® Satin White Lens, Satin Black Perf, Dark Bronze Finish with No Options Needed:

G-60106-G-B-HA-4



Note: When using perf, two finishes must be specified even if single finish is desired - IE All Satin Black - AA. First letter is for the primary finish, second is for perf.

Polo Sconces feature a common backplate which can be shipped and installed prior to production of the finished front.

These G Lighting products are Union made and E.T.L./C.S.A. listed. G Lighting reserves the right to modify existing designs to improve appearance or function.