



GL-2547

PRIORITY



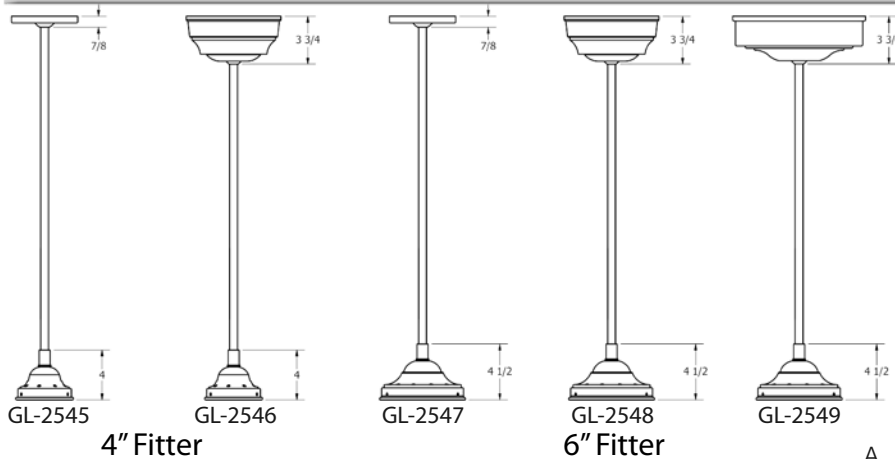
PRIORITY

Schoolhouse Pendant

GLighting
Since 1908

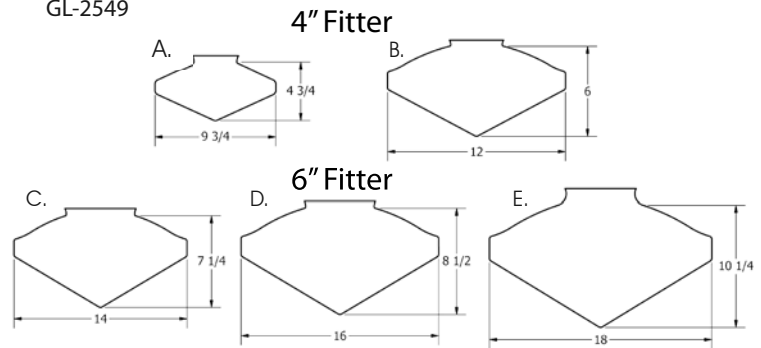
9777 Reavis Park Drive
St. Louis, MO, 63123
800.331.2425 or 314.631.6000
Fax 314.631.7800

sales@glighting.com www.glighting.com



GENERAL SPECIFICATION

- Canopy:** May be mounted on flat or sloped ceilings up to 40°.
- GU24:** Complies with Title 24. Fixture includes lamps. 120v only.
- Lamping:** Standard lamping packages offer long lamp life, high power factor energy efficient electronic ballast.
- Body:** 18ga steel or .050 aluminum glass fitter.
- Glass:** White opal diffuser hand blown in the USA.
- Modifications:** Consult factory for lamping or cluster options.
- Finish:** Highly durable oven cured no VOC premium powder coat.



SAMPLE CATALOG NUMBER:					
GL-2545-	C-	A-	NSN-	A-	036
MODEL NO.	LAMPING	GLASS	FINISH	OPTION(S)	OVERALL HEIGHT
GL-2545	A. 1GU26 B. 1GU32 C. 1GU42 D. 1GU25DIM GU - 120v only	4" Fitter: A. 9 3/4" x 4 3/4" B. 12" x 6"	Standard: Powder Coat Specify code from G-Lighting color chart	A. No Options B. Damp Location Available in powder coat or Brushed Aluminum finish.	Specify overall height in inches.
GL-2546	E. 1CFQ13 H. 1CFT26 F. 1CFQ18 I. 1CFT32 G. 1CFQ26 J. 1CFT42	6" Fitter: C. 14" x 7 1/4" D. 16" x 8 1/2" E. 18" x 10 1/4"	Premium: Specify code from G-Lighting color chart	D. Dimming See dimming chart. E. Emergency Ballast Operates one fluorescent lamp. Remotely mounted. Specify voltage after code. Not compatible with GU24.	
GL-2547	A. 1GU26 B. 1GU32 C. 1GU42 D. 1GU25DIM GU - 120v only				
GL-2548 <small>Available with all GL-2546 lamping</small>	K. 2CFQ13 N. 2CFT26 L. 2CFQ18 O. 2CFT32 M. 2CFQ26 P. 2CFT42				
GL-2549	Q. 3CFT26 Specify Voltage Q-S: R. 3CFT32 1 - 120v S. 3CFT42 2 - 277v T. 1MH50 U. 1MH70 V. 1MH100				

All dimensions are nominal.

Lamp Code Definition

Code	Fluorescent	Lamp Base	Incandescent Equivalent ¹	Rated Life Hrs ¹	Rated Lumens ¹	Kelvin	Code	Fluorescent	Lamp Base	Rated Life Hrs ¹	Rated Lumens ¹
GU26	GU24 26W	GU24	100W	10000	1650	2700	CFQ13	CFQ 13W	G24q-1	17000	755
GU32	GU24 32W	GU24	120W	10000	2200	2700	CFQ18	CFQ 18W	G24q-2	17000	970
GU42	GU24 42W	GU24	150W	10000	2730	2700	CFQ26	CFQ 26W	GX24q-3 4PIN	17000	1530
GU25DIM	GU24 25W	GU24	100W	8000	1750	2700	CFT26	CFTR 26W	GX24q-3 4PIN	17000	1530
				Rated			CFT32	CFTR 32W	GX24q-3 4PIN	17000	2010
Code	Metal Halide	Lamp Base		Life Hrs ¹	Lumens ¹		CFT42	CFTR 42W	GX24q-4 4PIN	17000	2690
1MH50	BD-17 50W	Medium		10000	2000						
1MH70	BD-17 70W	Medium		12000	3300						
1MH100	BD-17 100W	Medium		15000	5900						

¹Per MAXLIE & GE lamp products catalog. Contact factory for availability of other lamp configurations including LED.