



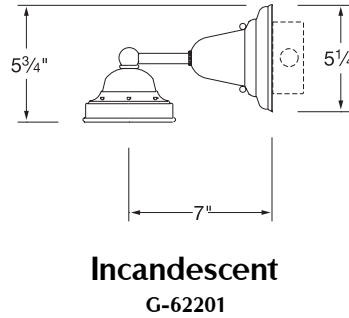
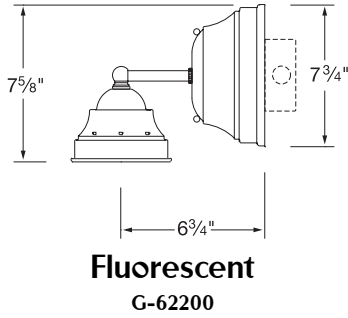
Journal
G-62200-D-C-A



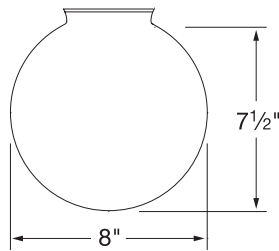
Transcript
G-62201-A-D-A

Schoolhouse Sconces

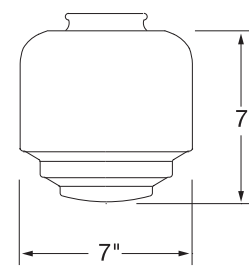
9777 Reavis Park Drive • St. Louis, MO 63123
 Toll Free: (800) 331-2425 • Phone: (314) 631-6000 • Fax: (314) 631-7800
 Email: sales@glighting.com • Web: www.glighting.com



Journal Glass C



Transcript Glass D



Matching Pendant: Dispatch Schoolhouse

Matching Pendant: Post Schoolhouse

Lamping

Incandescent	Lumens	Lamp Base	Voltage	Code
1-60 A-19	855	Medium	120	A
Fluorescent				
1-CFQ-13	765	G24q-1, 4 Pin	Universal	B
1-CFQ-18	1075	G24q-2, 4 Pin	Universal	C
1-CFQ-26	1460	G24q-3, 4 Pin	Universal	D
1-CFT-32	2040	GX24q-3, 4 Pin	Universal	E
1-CFQ-42	2729	GX24q-4, 4 Pin	Universal	F

Options

Electronic Ballasts are High Power Factor, Class "P", Thermally Protected, with less than 10% Total Harmonic Distortion with end of Lamp Life Protection.

Code

- 1 Integral Dimming Ballasts (Specify Voltage)
- 2 Emergency Ballast, for fluorescent fixtures. Remotely mounted.
- 3 Damp Location (Only available with painted or Brushed Aluminum finish.)
- 4 No Options Needed

Finishes

Standard Painted Finishes		Code	
Satin Black	A	Light Bronze	G
Reflector White	B	Dark Bronze	H
Painted Aluminum	C	Painted Antique Brass	I
New Satin Nickel	D	Gray Granite	J
Faux Rust	E	Light Verdigris	K
Beige	F	Sungold	L

Standard Metallic Finishes			
Polished Brass	M	Antique Brass	O
Satin Brass	N	Brushed Aluminum	P

Premium Finishes (Check with factory for price & availability)			
Polished Nickel	Q	Satin Chrome	U
Satin Nickel	R	Flemish Brass	V
Antique Nickel	S	Polished Copper	W
Polished Chrome	T	Antique Copper	X
		Oil Rubbed Bronze	Y

How To Specify

To specify a Sconce with 1-CFQ-26 Compact Fluorescent Lamping, Transcript Glass, Polished Brass Finish with an Integral Dimming Ballast 120V and Remote Emergency Ballast:

G-62200-D1-D-M-12

