

Sextant

G-85000-F-S-L-4

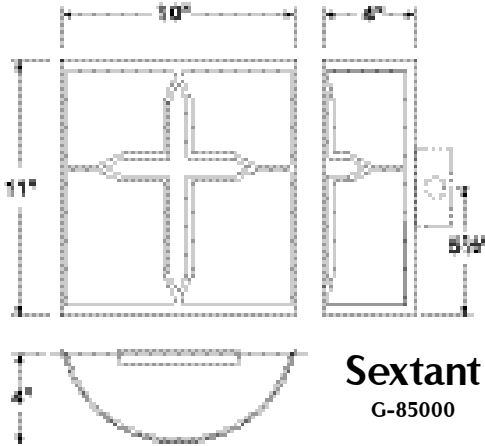


Realm

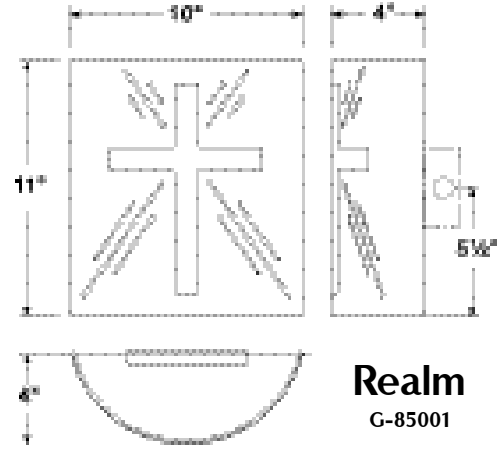
G-85001-B-W-H-2

Ecclesiastes

9777 Reavis Park Drive • St. Louis, MO 63123
 Toll Free: (800) 331-2425 • Phone: (314) 631-6000 • Fax: (314) 631-7800
 Email: sales@glighting.com • Web: www.glighting.com



Sextant
G-85000



Realm
G-85001

Lamping

Incandescent	Lumens	Lamp Base	Voltage	Code
1-40 T-10	740	Medium	120	A
2-40 T-10	1480	Medium	120	B
Fluorescent				
2-CF-13	1420	GX23, 2 Pin	120 only	C
2-CFQ-13	1530	G24q-1, 4 Pin	Universal	D
2-CFQ-18	1960	G24q-2, 4 Pin	Universal	E
2-CFQ-26	2920	G24q-3, 4 Pin	Universal	F

Options

Magnetic Ballasts are normal power factor, Class "P", thermally protected.
 Electronic Ballasts are High Power Factor, Class "P", Thermally Protected, with less than 10% Total Harmonic Distortion with end of Lamp Life Protection.

Code

- 1 Top Lens
- 2 Bottom Lens
- 3 Emergency Ballast, for fluorescent fixtures. Remotely mounted.
- 4 No Options Needed

Lenses

CODE

White Opal	W
Satin White	S
Faux Alabaster	F
Earth Marble	M
Lexefx® Perf	L
Lexefx® Satin White	T
Perf over Lexefx® Satin White	B

Finishes

Perf only available in brushed aluminum or painted finishes.

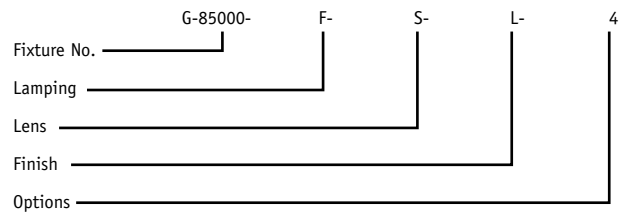
Standard Painted Finishes	Code		Code
Satin Black	A	Light Bronze	G
Reflector White	B	Dark Bronze	H
Painted Aluminum	C	Painted Antique Brass	I
New Satin Nickel	D	Gray Granite	J
Faux Rust	E	Light Verdigris	K
Beige	F	Sungold	L
Standard Metallic Finishes			
Polished Brass	M	Antique Brass	O
Satin Brass	N		
Premium Finishes (Check with factory for price & availability)			
Polished Nickel	Q	Satin Chrome	U
Satin Nickel	R	Flemish Brass	V
Antique Nickel	S	Polished Copper	W
Polished Chrome	T	Antique Copper	X
		Oil Rubbed Bronze	Y

Matching Fixtures: Contact factory.

How To Specify

To specify G-85000 with 2-26 Watt Compact Fluorescent Lamping, Satin White Lens, Sungold Finish with No Options Needed:

G-85000-F-S-L-4



Note: When using perf, two finishes must be specified even if single finish is desired - IE All Satin Black - AA. First letter is for the primary finish, second is for perf.

These Sconces feature a common backplate which can be shipped and installed prior to production of the finished front.

These G Lighting products are Union made and E.T.L./C.S.A. listed. G Lighting reserves the right to modify existing designs to improve appearance or function.