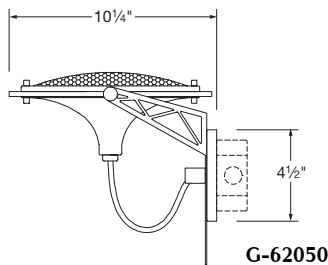
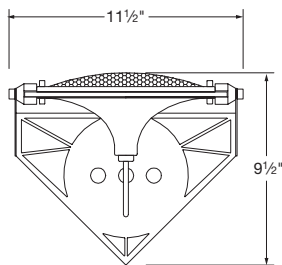




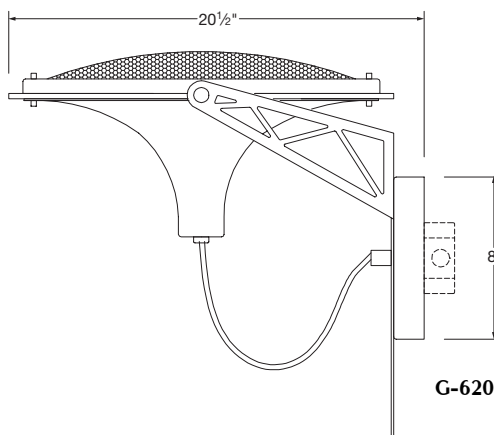
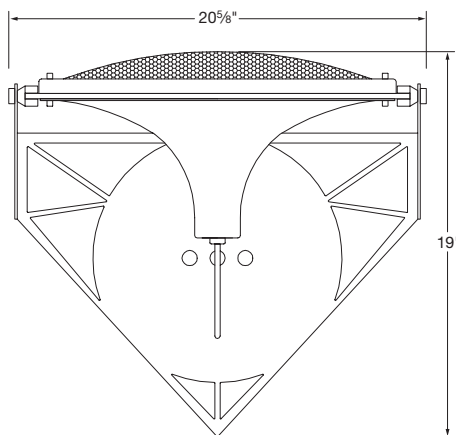
G-62050-A-Q-A-2



G-62050-A-R-B-2



G-62050



G-62051

Lamping

Incandescent	Lumens	Lamp Base	Code	G-62050	G-62051
1-60 Xenon	960	Candelabra	A	•	•
1-150 A-21	2,169	Medium	B		•
Compact Fluorescent					
1-CFQ-13	765	G24q-1, 4 Pin	C		•
1-CFQ-18	1,075	G24q-2, 4 Pin	D		•
1-CFQ-26	1,460	G24q-3, 4 Pin	E		•
1-CFT-32	2,040	GX24q-3, 4 Pin	F		•
1-CFQ-42	2,729	GX24q-4 4 Pin	G		•

Options

Electronic Ballasts are High Power Factor, Class "P", Thermally Protected, with less than 10% Total Harmonic Distortion with end of Lamp Life Protection.

Code

- 1 Emergency Ballast, for fluorescent fixtures. Remotely mounted.
- 2 No Options Needed

Acrylic Rings

CODE

Satin White Translucent	Q
Red Translucent	R

Available in other colors.
 Contact factory for more info.

Standard Finishes

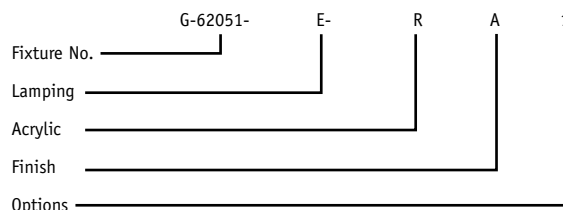
- | | |
|---|---|
| A. Satin Stainless Steel Backplate
Polished Chrome Housing
Polished Brass Knobs
Black Perf Top | B. Satin Black Backplate
Polished Chrome Housing
Polished Brass Knobs
Black Perf Top |
|---|---|

Consult Factory for Other Finish Options.

How To Specify

To specify a Large Trek Sconce with 1 CFQ-26 Compact Fluorescent Lamping, with Remote Emergency Ballast, Satin Stainless Backplate and Red acrylic

G-62051-E-R-A-1



Matching Pendant: Trek Pendant