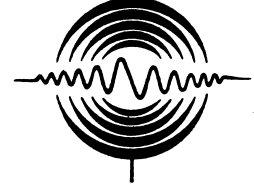


# BUILDING ACOUSTICS & LIGHTING LABORATORIES, INC.

1618 HEADLAND DR.  
 FENTON, MO 63026  
 (636) - 343-6006  
 (636) - 343-6051 FAX



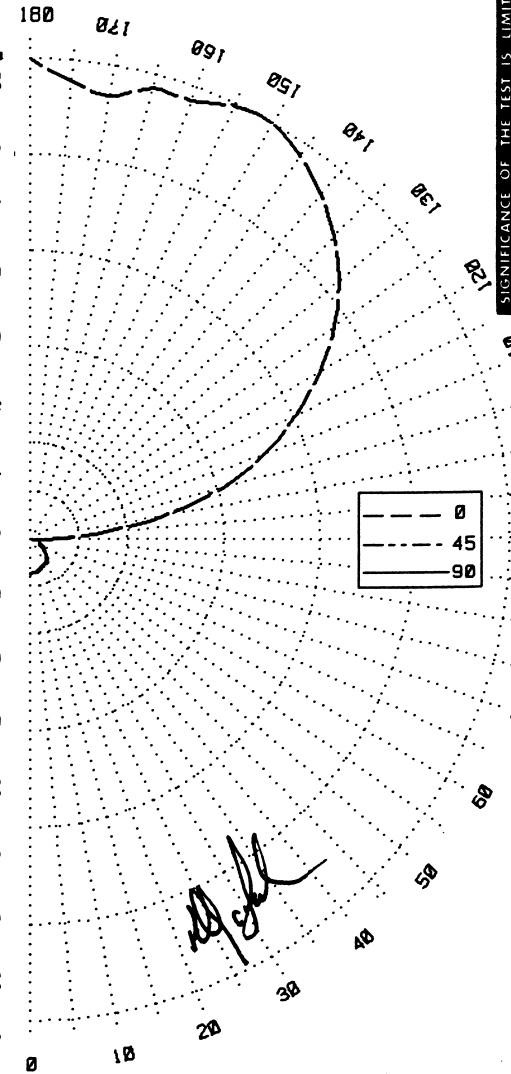
BALLABS CERTIFIED TEST REPORT NO.: 10804.0 DATE 08/28/00  
 PREPARED FOR: G LIGHTING - ST. LOUIS, MISSOURI  
 DESCRIPTION: 3/50W BX + 3/39W BX 35"DIA INDIRECT PENDANT MNT LUMINAIRE  
 BRASS OUTER RING & WHITE ACRYLIC BOWL w/21W2D LAMP INSIDE  
 5 ANTRON BLST #CSD-UV42PBMS & #AN121PC WATTS=246 REFL=89%

CATALOG NBR: WO1349

LAMP TYPE : FT50/2G11/RS	RATED LUMENS	4000.	NBR. LAMPS:-	3
LAMP TYPE : FT39/2G11/RS	RATED LUMENS	2850.	NBR. LAMPS:-	3
LAMP TYPE : F212D/835/4P	RATED LUMENS	1350.	NBR. LAMPS:-	1

### CANDLEPOWER DISTRIBUTION

VERT ANG	AVERAGE CANDELA	ZONAL LUMENS
0	292.	
5	289.	27.6
10	285.	
15	278.	78.7
20	267.	
25	255.	117.9
30	243.	
35	237.	149.0
40	212.	
45	187.	144.4
50	162.	
55	138.	124.1
60	113.	
65	92.	91.6
70	70.	
75	51.	54.0
80	32.	
85	25.	27.0
90	105.	
95	550.	599.9
100	1136.	
105	1672.	1769.2
110	2120.	
115	2501.	2482.8
120	2857.	
125	3172.	2845.6
130	3440.	
135	3664.	2837.2
140	3855.	
145	4000.	2512.7
150	4113.	
155	4097.	1896.2
160	3993.	
165	3998.	1133.2
170	3851.	
175	3941.	376.2
180	4114.	



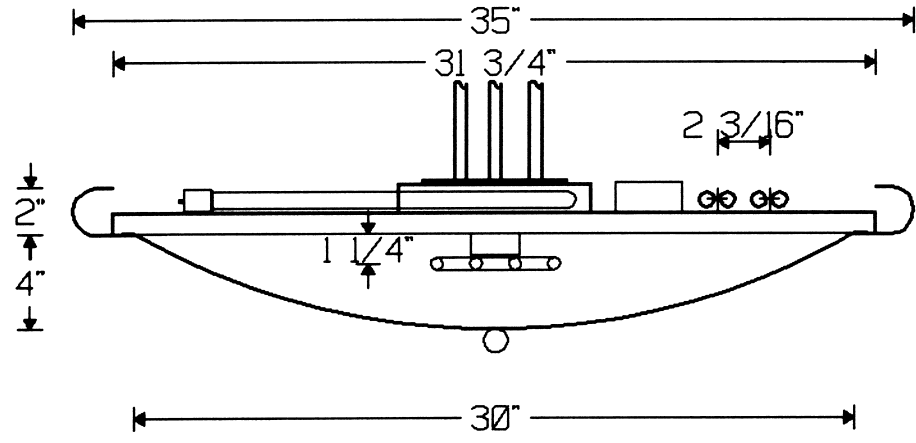
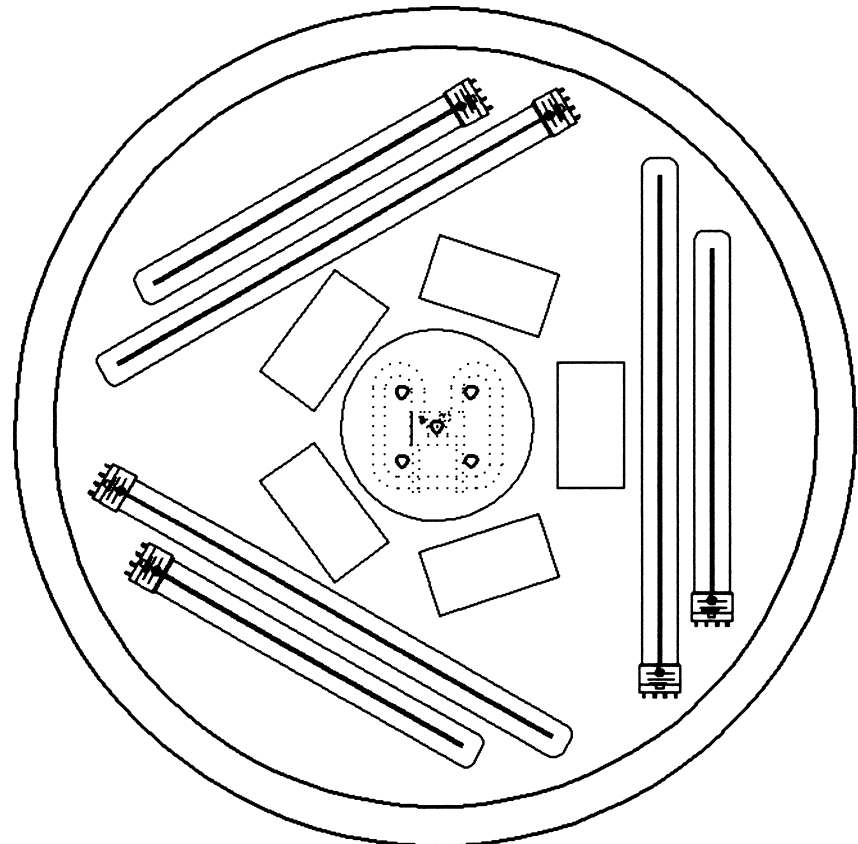
### LUMEN SUMMARY

ZONE	LUMENS	%LAMP	%FIXT	ZONE	LUMENS	%LAMP	%FIXT
0- 30	224.	1.0	1.3	90-120	4852.	22.2	28.1
0- 40	373.	1.7	2.2	90-130	7698.	35.1	44.6
0- 60	642.	2.9	3.7	90-150	13047.	59.6	75.6
0- 90	814.	3.7	4.7	90-180	16453.	75.1	95.3
TOTAL LUMINAIRE =				0-180	17267.	78.8	100.0

IES SPACING CRITERIA: ADJACENT= 1.3      DIAGONAL= .9

SIGNIFICANCE OF THE TEST IS LIMITED TO THE DEGREE THAT THE TESTED SAMPLE IS REPRESENTATIVE OTHER FACTORS AFFECT FIELD PERFORMANCE.

BALLABS CERTIFIED TEST REPORT NO.: 10804.0      DATE 08/28/00  
 PREPARED FOR: G LIGHTING - ST. LOUIS, MISSOURI  
 DESCRIPTION: 3/50W BX + 3/39W BX 35"DIA INDIRECT PENDANT MNT LUMINAIRE  
 BRASS OUTER RING & WHITE ACRYLIC BOWL w/21W2D LAMP INSIDE  
 5 ANTRON BLST #CSD-UV42PBMS & #AN121PC WATTS=246 REFL=89%  
 CATALOG NBR: WO1349  
 LAMP TYPE : FT50/2G11/RS      RATED LUMENS    4000.    NBR. LAMPS:-    3  
 LAMP TYPE : FT39/2G11/RS      RATED LUMENS    2850.    NBR. LAMPS:-    3  
 LAMP TYPE : F212D/835/4P      RATED LUMENS    1350.    NBR. LAMPS:-    1



BALLABS CERTIFIED TEST REPORT NO.: 10804.0 DATE 08/28/00  
 PREPARED FOR: G LIGHTING - ST. LOUIS, MISSOURI  
 DESCRIPTION: 3/50W BX + 3/39W BX 35"DIA INDIRECT PENDANT MNT LUMINAIRE  
 BRASS OUTER RING & WHITE ACRYLIC BOWL w/21W2D LAMP INSIDE  
 5 ANTRON BLST #CSD-UV42PBMS & #AN121PC WATTS=246 REFL=89%  
 CATALOG NBR: W01349  
 LAMP TYPE : FT50/2G11/RS RATED LUMENS 4000. NBR. LAMPS:- 3  
 LAMP TYPE : FT39/2G11/RS RATED LUMENS 2850. NBR. LAMPS:- 3  
 LAMP TYPE : F212D/835/4P RATED LUMENS 1350. NBR. LAMPS:- 1  
 \*\*\*\*\*

LUMINANCES-CD/SQ-M  
 HORIZONTAL ANGLE

VERT ANGLE	0
45	498.
55	429.
65	353.
75	266.
85	213.

\*\*MAXIMUM BRIGHTNESSES NOT MEASURED\*\*

\*\*\*\*\*

ZONAL CAVITY COEFFICIENTS OF UTILIZATION

EFFECTIVE FLOOR CAVITY REFLECTANCE=.20

CEILING	.80	.70	.50	.30	.10	.00												
WALL	.70	.50	.30	.10	.70	.50	.30	.10	.50	.30	.10	.50	.30	.10	.50	.30	.10	.00
RCR																		
0	.76	.76	.76	.76	.65	.65	.65	.65	.46	.46	.46	.28	.28	.28	.11	.11	.11	.04
1	.69	.66	.63	.60	.59	.57	.54	.52	.40	.38	.37	.24	.24	.23	.10	.10	.10	.03
2	.63	.57	.53	.49	.54	.50	.46	.43	.35	.33	.31	.21	.20	.19	.09	.08	.08	.03
3	.57	.50	.45	.41	.49	.43	.39	.36	.31	.28	.26	.19	.17	.16	.08	.07	.07	.02
4	.52	.44	.39	.34	.45	.38	.34	.30	.27	.24	.22	.17	.15	.14	.07	.06	.06	.02
5	.48	.39	.34	.29	.41	.34	.29	.26	.24	.21	.19	.15	.13	.12	.06	.06	.05	.02
6	.44	.35	.29	.25	.38	.31	.26	.22	.22	.18	.16	.13	.12	.10	.06	.05	.04	.01
7	.41	.32	.26	.22	.35	.28	.23	.19	.20	.16	.14	.12	.10	.09	.05	.04	.04	.01
8	.38	.29	.23	.19	.32	.25	.20	.17	.18	.15	.12	.11	.09	.08	.05	.04	.03	.01
9	.35	.26	.21	.17	.30	.23	.18	.15	.16	.13	.11	.10	.08	.07	.04	.03	.03	.01
10	.33	.24	.19	.15	.28	.21	.16	.14	.15	.12	.10	.09	.07	.06	.04	.03	.03	.01

TESTED IN ACCORDANCE WITH CURRENT IES PROCEDURES