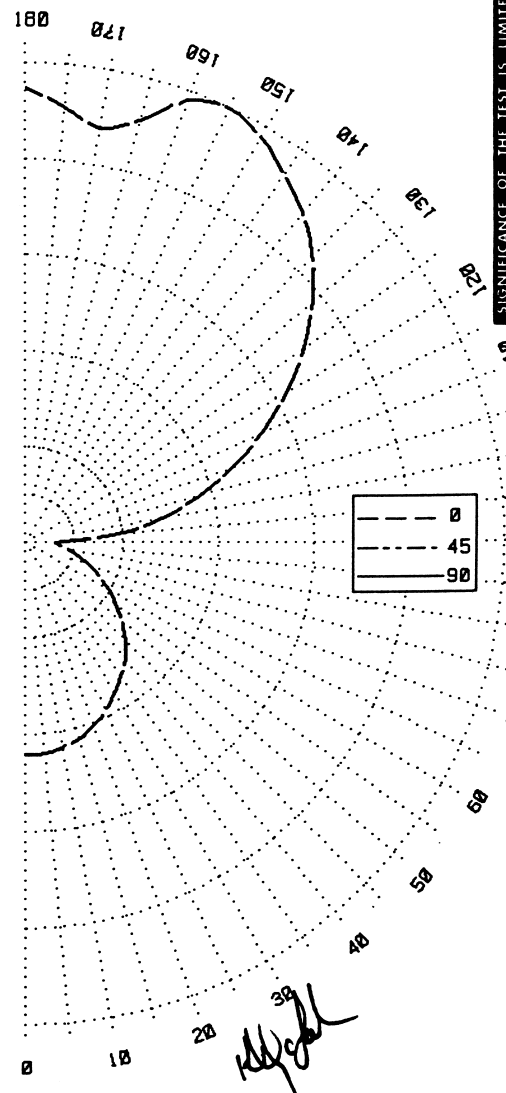


BALLABS CERTIFIED TEST REPORT NO.: 10805.0      DATE 08/30/00  
 PREPARED FOR: G LIGHTING - ST. LOUIS, MISSOURI  
 DESCRIPTION: 6/39W BIAx 39"DIA INDIRECT PENDANT MNT LUMINAIRE  
                   WHITE LAMP ASSEMBLY w/WHITE RING & WHITE ACRYLIC BOWL  
                   2 ANTRON BALLAST #TST-140PBX      WATTS=172 REFL=87%  
 CATALOG NBR: G-12020-30-P-12-W-PT-038  
 LAMP TYPE : FT39/2G11/RS      RATED LUMENS      2850.      NBR. LAMPS:-      6

### CANDLEPOWER DISTRIBUTION

| VERT ANG | AVERAGE CANDELA | ZONAL LUMENS |
|----------|-----------------|--------------|
| 0        | 1210.           | 115.0        |
| 5        | 1205.           | 328.2        |
| 10       | 1186.           | 493.8        |
| 15       | 1158.           | 590.3        |
| 20       | 1116.           | 618.4        |
| 25       | 1067.           | 560.6        |
| 30       | 1005.           | 457.7        |
| 35       | 940.            | 329.3        |
| 40       | 878.            | 214.1        |
| 45       | 799.            | 529.4        |
| 50       | 716.            | 1077.6       |
| 55       | 625.            | 1477.3       |
| 60       | 543.            | 1744.0       |
| 65       | 461.            | 1793.7       |
| 70       | 384.            | 1617.2       |
| 75       | 311.            | 1269.3       |
| 80       | 253.            | 708.5        |
| 85       | 196.            | 239.1        |
| 90       | 167.            |              |
| 95       | 485.            |              |
| 100      | 783.            |              |
| 105      | 1019.           |              |
| 110      | 1259.           |              |
| 115      | 1488.           |              |
| 120      | 1716.           |              |
| 125      | 1944.           |              |
| 130      | 2141.           |              |
| 135      | 2316.           |              |
| 140      | 2460.           |              |
| 145      | 2574.           |              |
| 150      | 2680.           |              |
| 155      | 2742.           |              |
| 160      | 2689.           |              |
| 165      | 2499.           |              |
| 170      | 2405.           |              |
| 175      | 2505.           |              |
| 180      | 2602.           |              |

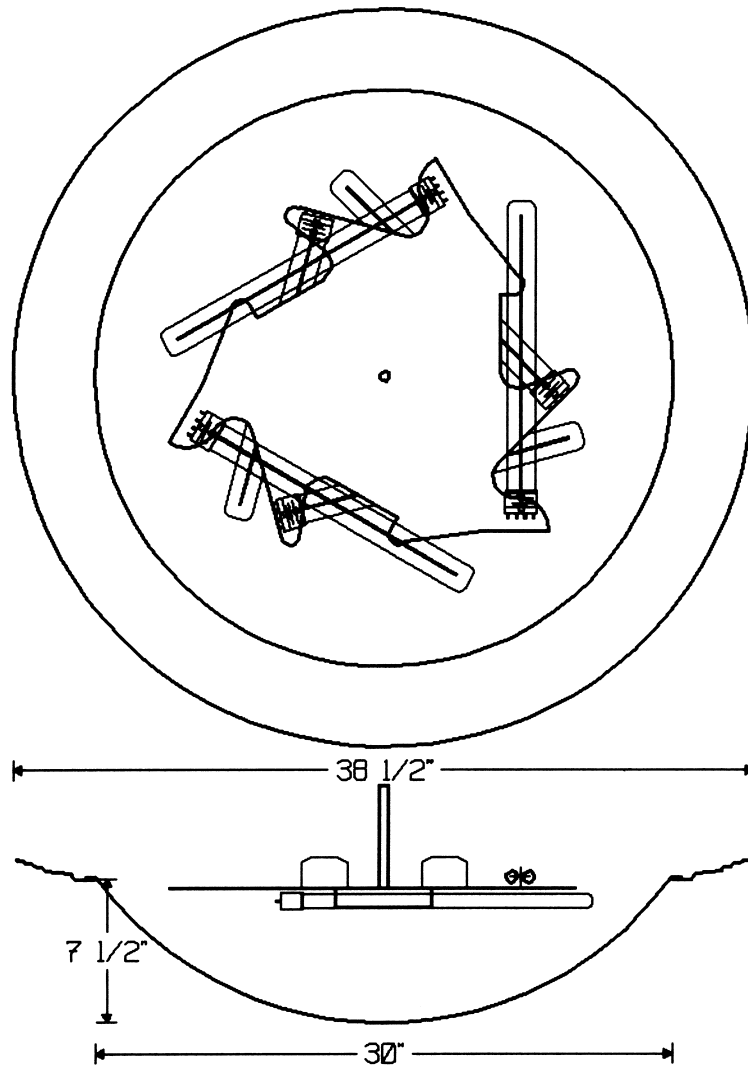


### LUMEN SUMMARY

| ZONE                                | LUMENS | %LAMP | %FIXT | ZONE      | LUMENS | %LAMP | %FIXT |
|-------------------------------------|--------|-------|-------|-----------|--------|-------|-------|
| 0- 30                               | 937.   | 5.5   | 6.6   | 90-120    | 3084.  | 18.0  | 21.8  |
| 0- 40                               | 1527.  | 8.9   | 10.8  | 90-130    | 4828.  | 28.2  | 34.1  |
| 0- 60                               | 2706.  | 15.8  | 19.1  | 90-150    | 8239.  | 48.2  | 58.2  |
| 0- 90                               | 3707.  | 21.7  | 26.2  | 90-180    | 10456. | 61.1  | 73.8  |
| TOTAL LUMINAIRE =                   |        |       |       | 0-180     | 14164. | 82.8  | 100.0 |
| IES SPACING CRITERIA: ADJACENT= 1.2 |        |       |       | DIAGONAL= | .9     |       |       |

SIGNIFICANCE OF THE TEST IS LIMITED TO THE DEGREE THAT THE TESTED SAMPLE IS REPRESENTATIVE. OTHER FACTORS AFFECT FIELD PERFORMANCE.

BALLABS CERTIFIED TEST REPORT NO.: 10805.0 DATE 08/30/00  
PREPARED FOR: G LIGHTING - ST. LOUIS, MISSOURI  
DESCRIPTION: 6/39W BIAx 39"DIA INDIRECT PENDANT MNT LUMINAIRE  
WHITE LAMP ASSEMBLY w/WHITE RING & WHITE ACRYLIC BOWL  
2 ANTRON BALLAST #TST-140PBX WATTS=172 REFL=87%  
CATALOG NBR: G-12020-30-P-12-W-PT-038  
LAMP TYPE : FT39/2G11/RS RATED LUMENS 2850. NBR. LAMPS:- 6



BALLABS CERTIFIED TEST REPORT NO.: 10805.0 DATE 08/30/00  
 PREPARED FOR: G LIGHTING - ST. LOUIS, MISSOURI  
 DESCRIPTION: 6/39W BIAX 39"DIA INDIRECT PENDANT MNT LUMINAIRE  
 WHITE LAMP ASSEMBLY w/WHITE RING & WHITE ACRYLIC BOWL  
 2 ANTRON BALLAST #TST-140PBX WATTS=172 REFL=87%  
 CATALOG NBR: G-12020-30-P-12-W-PT-038  
 LAMP TYPE : FT39/2G11/RS RATED LUMENS 2850. NBR. LAMPS:- 6  
 \*\*\*\*\*

LUMINANCES-CD/SQ-M  
 HORIZONTAL ANGLE  
 0

| VERT<br>ANGLE |       |
|---------------|-------|
| 45            | 1879. |
| 55            | 1647. |
| 65            | 1430. |
| 75            | 1218. |
| 85            | 1085. |

\*\*MAXIMUM BRIGHTNESSES NOT MEASURED\*\*

\*\*\*\*\*

ZONAL CAVITY COEFFICIENTS OF UTILIZATION  
 EFFECTIVE FLOOR CAVITY REFLECTANCE=.20

| CEILING | .80 |     | .70 |     | .50 |     | .30 |     | .10 |     | .00 |     |     |     |     |     |     |     |
|---------|-----|-----|-----|-----|-----|-----|-----|-----|-----|-----|-----|-----|-----|-----|-----|-----|-----|-----|
| WALL    | .70 | .50 | .30 | .10 | .70 | .50 | .30 | .10 | .50 | .30 | .10 | .50 | .30 | .10 | .00 |     |     |     |
| RCR     |     |     |     |     |     |     |     |     |     |     |     |     |     |     |     |     |     |     |
| 0       | .84 | .84 | .84 | .84 | .75 | .75 | .75 | .75 | .58 | .58 | .58 | .43 | .43 | .43 | .28 | .28 | .28 | .22 |
| 1       | .76 | .73 | .69 | .66 | .68 | .65 | .62 | .60 | .50 | .48 | .47 | .37 | .36 | .35 | .25 | .24 | .23 | .18 |
| 2       | .69 | .63 | .58 | .54 | .62 | .57 | .52 | .49 | .44 | .41 | .38 | .32 | .30 | .29 | .22 | .20 | .20 | .15 |
| 3       | .63 | .56 | .50 | .45 | .56 | .50 | .45 | .41 | .39 | .35 | .32 | .29 | .26 | .24 | .19 | .18 | .17 | .12 |
| 4       | .58 | .49 | .43 | .38 | .51 | .44 | .38 | .34 | .34 | .30 | .27 | .25 | .23 | .21 | .17 | .16 | .14 | .11 |
| 5       | .53 | .43 | .37 | .32 | .47 | .39 | .33 | .29 | .30 | .26 | .23 | .23 | .20 | .18 | .15 | .13 | .12 | .09 |
| 6       | .49 | .39 | .32 | .28 | .43 | .35 | .29 | .25 | .27 | .23 | .20 | .20 | .17 | .15 | .14 | .12 | .11 | .08 |
| 7       | .45 | .35 | .29 | .24 | .40 | .31 | .26 | .22 | .25 | .21 | .18 | .18 | .15 | .13 | .12 | .11 | .09 | .07 |
| 8       | .41 | .32 | .25 | .21 | .37 | .28 | .23 | .19 | .22 | .18 | .16 | .17 | .14 | .12 | .11 | .09 | .08 | .06 |
| 9       | .38 | .29 | .23 | .19 | .34 | .26 | .21 | .17 | .20 | .16 | .14 | .15 | .12 | .10 | .10 | .08 | .07 | .05 |
| 10      | .36 | .26 | .20 | .17 | .32 | .24 | .19 | .15 | .18 | .15 | .12 | .14 | .11 | .09 | .09 | .07 | .06 | .04 |

TESTED IN ACCORDANCE WITH CURRENT IES PROCEDURES