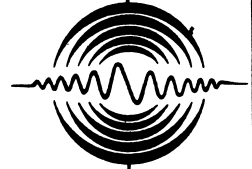


BUILDING ACOUSTICS & LIGHTING LABORATORIES, INC.

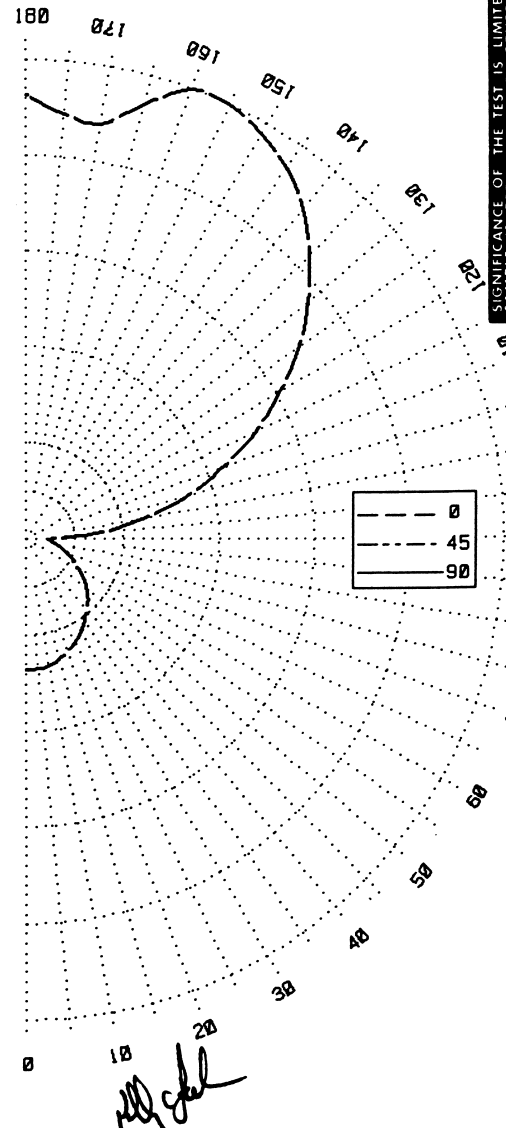
1618 HEADLAND DR.
FENTON, MO 63026
(636) - 343-6006
(636) - 343-6051 FAX



BALLABS CERTIFIED TEST REPORT NO.: 10806.0 DATE 09/01/00
 PREPARED FOR: G LIGHTING - ST. LOUIS, MISSOURI
 DESCRIPTION: 9/39W BIAx 47"DIA INDIRECT PENDANT MNT LUMINAIRE
 WHITE LAMP ASSEMBLY w/WHITE RING & WHITE ACRYLIC BOWL
 3 ANTRON BALLAST #TST-140PBX WATTS=263 REFL=87%
 CATALOG NBR: G-12020-38-P-12-W-PT-042
 LAMP TYPE : FT39/2G11/RS RATED LUMENS 2850. NBR. LAMPS:- 9

CANDLEPOWER DISTRIBUTION

VERT ANG	AVERAGE CANDELA	ZONAL LUMENS
0	1257.	
5	1254.	119.7
10	1235.	340.8
15	1202.	513.3
20	1163.	615.0
25	1109.	654.3
30	1049.	605.4
35	979.	502.1
40	906.	386.1
45	845.	269.5
50	760.	735.0
55	675.	1685.9
60	585.	2439.4
65	506.	2909.8
70	432.	3018.1
75	365.	2766.6
80	302.	2159.6
85	247.	1242.6
90	211.	397.4
95	674.	
100	1131.	
105	1594.	
110	2026.	
115	2458.	
120	2859.	
125	3243.	
130	3588.	
135	3897.	
140	4196.	
145	4404.	
150	4558.	
155	4666.	
160	4655.	
165	4384.	
170	4101.	
175	4163.	
180	4328.	

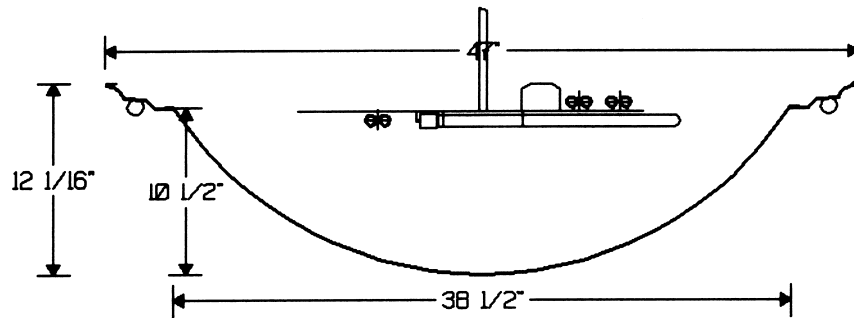
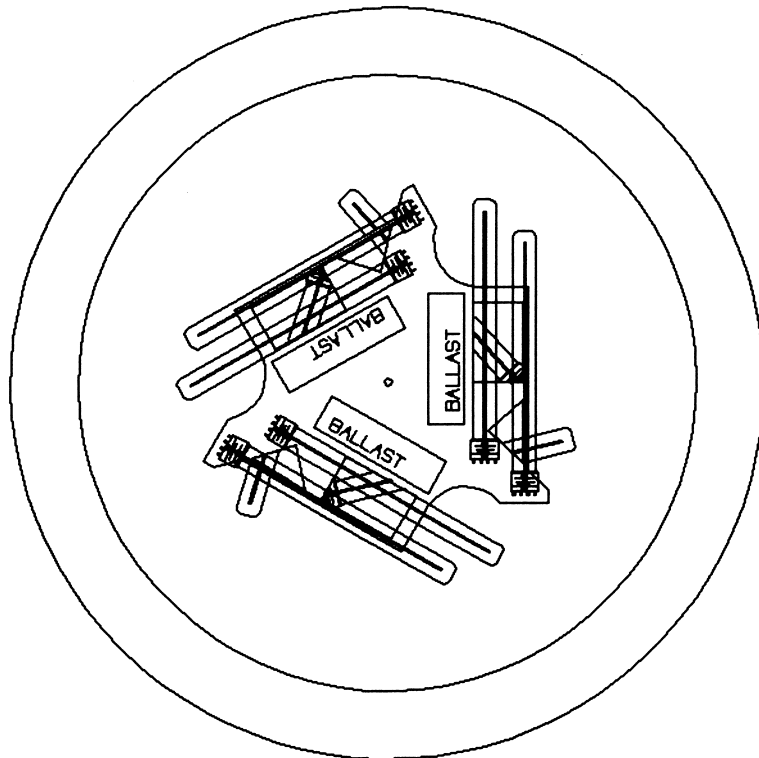


LUMEN SUMMARY

ZONE	LUMENS	%LAMP	%FIXT	ZONE	LUMENS	%LAMP	%FIXT
0- 30	974.	3.8	4.6	90-120	4860.	18.9	22.8
0- 40	1589.	6.2	7.4	90-130	7770.	30.3	36.4
0- 60	2848.	11.1	13.3	90-150	13555.	52.8	63.5
0- 90	4006.	15.6	18.8	90-180	17354.	67.7	81.2
TOTAL LUMINAIRE =				0-180	21360.	83.3	100.0
IES SPACING CRITERIA: ADJACENT= 1.2				DIAGONAL=	.9		

SIGNIFICANCE OF THE TEST IS LIMITED TO THE DEGREE THAT THE TESTED SAMPLE IS REPRESENTATIVE. OTHER FACTORS AFFECT FIELD PERFORMANCE.

BALLABS CERTIFIED TEST REPORT NO.: 10806.0 DATE 09/01/00
 PREPARED FOR: G LIGHTING - ST. LOUIS, MISSOURI
 DESCRIPTION: 9/39W BIAx 47"DIA INDIRECT PENDANT MNT LUMINAIRE
 WHITE LAMP ASSEMBLY w/WHITE RING & WHITE ACRYLIC BOWL
 3 ANTRON BALLAST #TST-140PBX WATTS=263 REFL=87%
 CATALOG NBR: G-12020-38-P-12-W-PT-042
 LAMP TYPE : FT39/2G11/RS RATED LUMENS 2850. NBR. LAMPS:- 9



BALLABS CERTIFIED TEST REPORT NO.: 10806.0 DATE 09/01/00
 PREPARED FOR: G LIGHTING - ST. LOUIS, MISSOURI
 DESCRIPTION: 9/39W BIAX 47"DIA INDIRECT PENDANT MNT LUMINAIRE
 WHITE LAMP ASSEMBLY w/WHITE RING & WHITE ACRYLIC BOWL
 3 ANTRON BALLAST #TST-140PBX WATTS=263 REFL=87%
 CATALOG NBR: G-12020-38-P-12-W-PT-042
 LAMP TYPE : FT39/2G11/RS RATED LUMENS 2850. NBR. LAMPS:- 9

LUMINANCES-CD/SQ-M
 HORIZONTAL ANGLE

VERT ANGLE	0
45	1231.
55	1090.
65	950.
75	848.
85	785.

MAXIMUM BRIGHTNESSES NOT MEASURED

ZONAL CAVITY COEFFICIENTS OF UTILIZATION

EFFECTIVE FLOOR CAVITY REFLECTANCE=.20

CEILING	.80		.70		.50		.30		.10		.00							
WALL	.70	.50	.30	.10	.70	.50	.30	.10	.50	.30	.10	.50	.30	.10	.00			
RCR																		
0	.83	.83	.83	.83	.73	.73	.73	.73	.55	.55	.55	.38	.38	.38	.23	.23	.23	.16
1	.75	.72	.68	.65	.66	.63	.61	.58	.48	.46	.44	.33	.32	.31	.20	.19	.19	.13
2	.68	.62	.57	.53	.60	.55	.51	.47	.41	.39	.36	.29	.27	.26	.17	.16	.16	.10
3	.62	.55	.49	.44	.55	.48	.43	.39	.36	.33	.30	.25	.23	.22	.15	.14	.13	.09
4	.57	.48	.42	.37	.50	.43	.37	.33	.32	.29	.26	.23	.20	.18	.14	.12	.11	.07
5	.52	.43	.36	.32	.46	.38	.32	.28	.29	.25	.22	.20	.18	.16	.12	.11	.10	.06
6	.48	.38	.32	.27	.42	.34	.28	.24	.26	.22	.19	.18	.16	.14	.11	.09	.08	.05
7	.44	.34	.28	.24	.39	.31	.25	.21	.23	.19	.17	.16	.14	.12	.10	.08	.07	.05
8	.41	.31	.25	.21	.36	.28	.22	.19	.21	.17	.15	.15	.12	.10	.09	.07	.06	.04
9	.38	.28	.22	.18	.33	.25	.20	.17	.19	.15	.13	.13	.11	.09	.08	.07	.06	.03
10	.35	.26	.20	.16	.31	.23	.18	.15	.17	.14	.11	.12	.10	.08	.07	.06	.05	.03

TESTED IN ACCORDANCE WITH CURRENT IES PROCEDURES