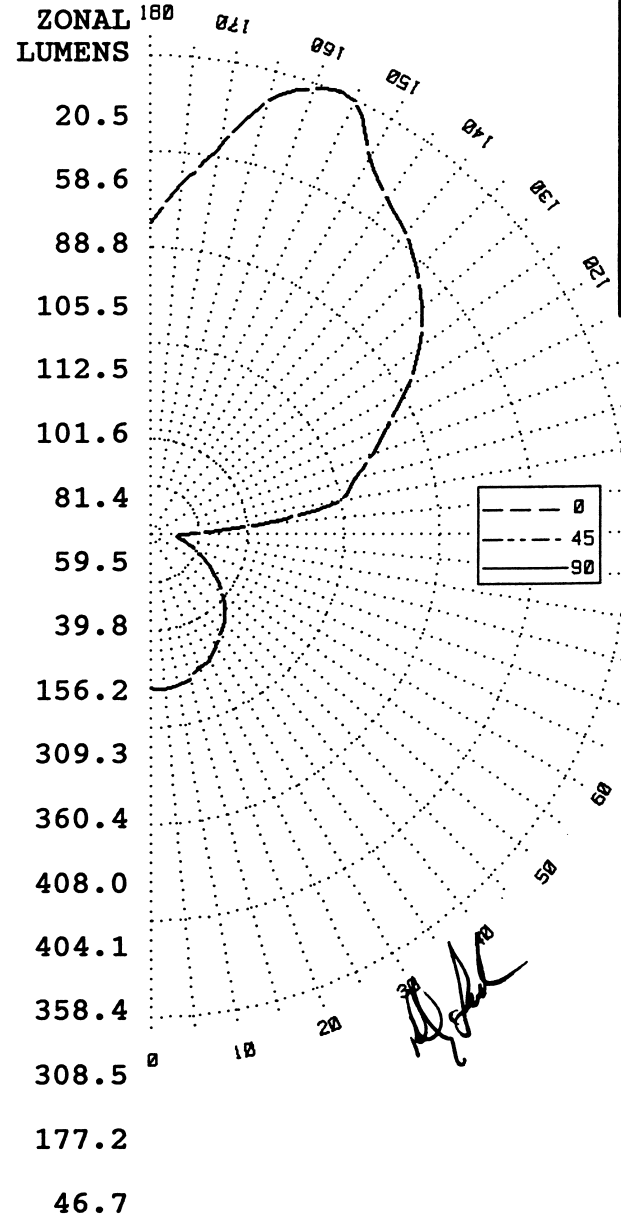


BALLABS CERTIFIED TEST REPORT NO.: 11360.0 DATE 02/12/02
 PREPARED FOR: G LIGHTING INC - ST. LOUIS, MISSOURI
 DESCRIPTION: 4/13W QUAD CF LAMP 32"DIA INDIRECT PENDANT MNT LUMINAIRE
 WHITE OUTER RING & 24"DIA WHITE ACRYLIC BOWL REFL=87%
 4 ENERGY SAVINGS BLST #ES-2/1-CFQ-13/10-UNV-D WATTS=57
 CATALOG NBR: G12020-24-P-UN-W-PT-034
 LAMP TYPE : CFQ13/835/4P RATED LUMENS 900. NBR. LAMPS:- 4

CANDLEPOWER DISTRIBUTION

VERT ANG	AVERAGE CANDELA
0	211.
5	215.
10	211.
15	207.
20	195.
25	192.
30	179.
35	168.
40	158.
45	145.
50	129.
55	113.
60	98.
65	82.
70	69.
75	56.
80	45.
85	37.
90	46.
95	143.
100	264.
105	292.
110	327.
115	363.
120	411.
125	455.
130	491.
135	522.
140	549.
145	571.
150	605.
155	667.
160	659.
165	625.
170	547.
175	489.
180	434.



LUMEN SUMMARY

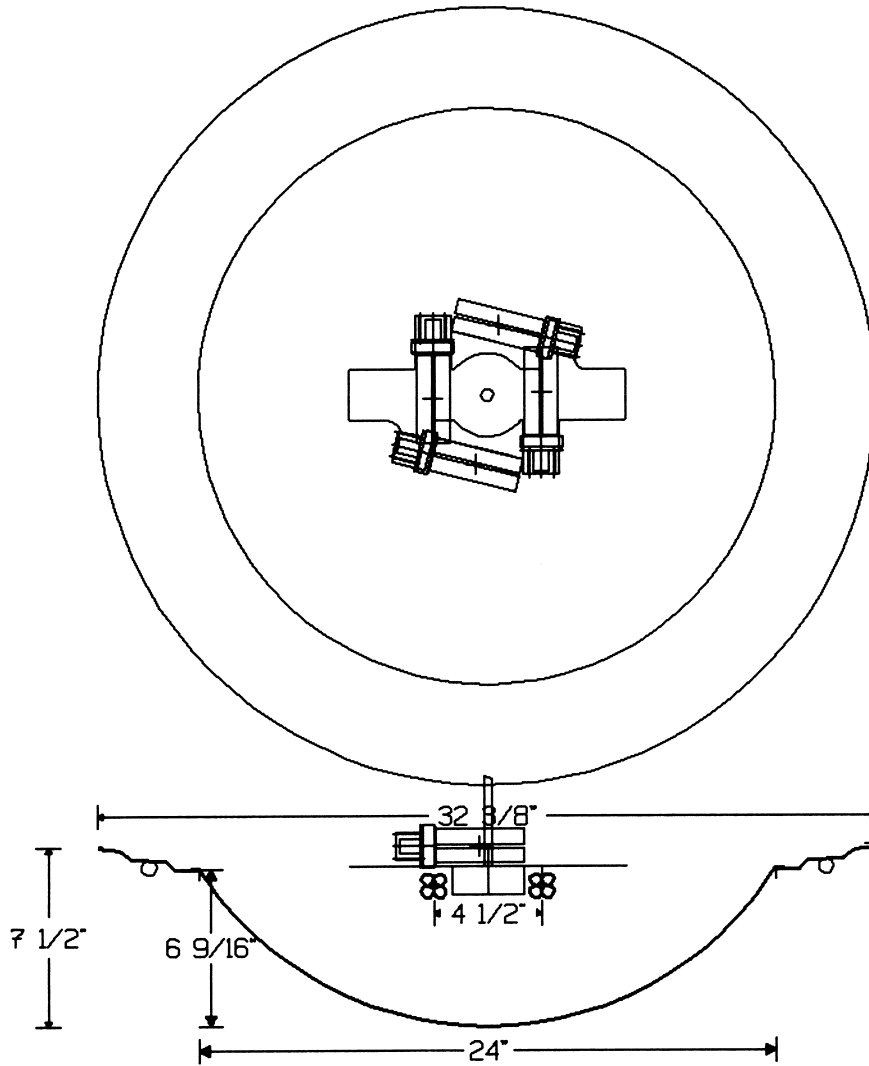
ZONE	LUMENS	%LAMP	%FIXT	ZONE	LUMENS	%LAMP	%FIXT
0- 30	168.	4.7	5.3	90-120	826.	22.9	25.8
0- 40	273.	7.6	8.6	90-130	1234.	34.3	38.6
0- 60	487.	13.5	15.2	90-150	1996.	55.5	62.4
0- 90	668.	18.6	20.9	90-180	2529.	70.2	79.1

TOTAL LUMINAIRE = 0-180 3197. 88.8 100.0

IES SPACING CRITERIA: ADJACENT= 1.3 DIAGONAL= .9

SIGNIFICANCE OF THE TEST IS LIMITED TO THE DEGREE THAT THE TESTED SAMPLE IS REPRESENTATIVE. OTHER FACTORS AFFECT FIELD PERFORMANCE.

BALLABS CERTIFIED TEST REPORT NO.: 11360.0 DATE 02/12/02
PREPARED FOR: G LIGHTING INC - ST. LOUIS, MISSOURI
DESCRIPTION: 4/13W QUAD CF LAMP 32"DIA INDIRECT PENDANT MNT LUMINAIRE
WHITE OUTER RING & 24"DIA WHITE ACRYLIC BOWL REFL=87%
4 ENERGY SAVINGS BLST #ES-2/1-CFQ-13/10-UNV-D WATTS=57
CATALOG NBR: G12020-24-P-UN-W-PT-034
LAMP TYPE : CFQ13/835/4P RATED LUMENS 900. NBR. LAMPS:- 4



BALLABS CERTIFIED TEST REPORT NO.: 11360.0 DATE 02/12/02
 PREPARED FOR: G LIGHTING INC - ST. LOUIS, MISSOURI
 DESCRIPTION: 4/13W QUAD CF LAMP 32"DIA INDIRECT PENDANT MNT LUMINAIRE
 WHITE OUTER RING & 24"DIA WHITE ACRYLIC BOWL REFL=87%
 4 ENERGY SAVINGS BLST #ES-2/1-CFQ-13/10-UNV-D WATTS=57
 CATALOG NBR: G12020-24-P-UN-W-PT-034
 LAMP TYPE : CFQ13/835/4P RATED LUMENS 900. NBR. LAMPS:- 4

LUMINANCES-CD/SQ-M
HORIZONTAL ANGLE

VERT ANGLE	HORIZONTAL ANGLE
	0
45	536.
55	463.
65	389.
75	329.
85	291.

MAXIMUM BRIGHTNESSES NOT MEASURED

ZONAL CAVITY COEFFICIENTS OF UTILIZATION

EFFECTIVE FLOOR CAVITY REFLECTANCE=.20

CEILING	.80	.70	.50	.30	.10	.00												
WALL	.70	.50	.30	.10	.70	.50	.30	.10	.50	.30	.10	.50	.30	.10	.50	.30	.10	.00
RCR																		
0	.89	.89	.89	.89	.79	.79	.79	.79	.60	.60	.60	.42	.42	.42	.26	.26	.26	.19
1	.81	.77	.73	.70	.71	.68	.65	.63	.52	.50	.48	.37	.35	.34	.23	.22	.21	.15
2	.73	.67	.62	.57	.65	.59	.55	.51	.45	.42	.40	.32	.30	.28	.20	.19	.18	.13
3	.67	.59	.52	.47	.59	.52	.47	.43	.40	.36	.33	.28	.26	.24	.18	.16	.15	.11
4	.61	.52	.45	.40	.54	.46	.40	.36	.35	.31	.28	.25	.23	.21	.16	.14	.13	.09
5	.56	.46	.39	.34	.49	.41	.35	.31	.31	.27	.24	.22	.20	.18	.14	.12	.11	.08
6	.51	.41	.34	.29	.45	.37	.31	.26	.28	.24	.21	.20	.17	.15	.13	.11	.10	.07
7	.47	.37	.30	.26	.42	.33	.27	.23	.25	.21	.18	.18	.15	.13	.11	.10	.08	.06
8	.44	.33	.27	.22	.39	.30	.24	.20	.23	.19	.16	.16	.14	.12	.10	.09	.07	.05
9	.41	.30	.24	.20	.36	.27	.22	.18	.21	.17	.14	.15	.12	.10	.09	.08	.06	.04
10	.38	.28	.22	.18	.33	.25	.20	.16	.19	.15	.13	.14	.11	.09	.08	.07	.06	.04

TESTED IN ACCORDANCE WITH CURRENT IES PROCEDURES