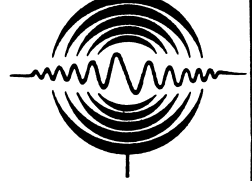


BUILDING ACOUSTICS & LIGHTING LABORATORIES, INC.

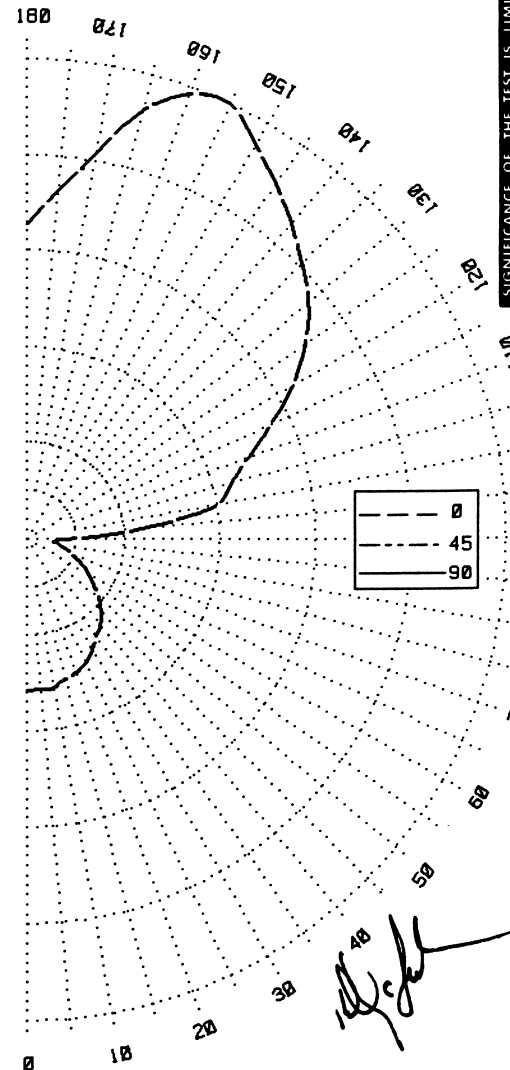
1618 HEADLAND DR.
 FENTON, MO 63026
 (636) - 343-6006
 (636) - 343-6051 FAX



BALLABS CERTIFIED TEST REPORT NO.: 11361.0 DATE 02/15/02
 PREPARED FOR: G LIGHTING INC - ST. LOUIS, MISSOURI
 DESCRIPTION: 4/26W QUAD CF LAMP 32"DIA INDIRECT PENDANT MNT LUMINAIRE
 WHITE OUTER RING & 24"DIA WHITE ACRYLIC BOWL REFL=90%
 2 ENERGY SAVINGS BLST #ES-2/1-CFQ-26-UNV-D WATTS=100
 CATALOG NBR: G12020-24-P-UN-W-PT-034
 LAMP TYPE : CFQ26/835/4P RATED LUMENS 1800. NBR. LAMPS:- 4

CANDLEPOWER DISTRIBUTION

VERT ANG	AVERAGE CANDELA	ZONAL LUMENS
0	382.	
5	379.	36.2
10	379.	
15	366.	103.6
20	358.	
25	345.	159.5
30	326.	
35	300.	188.2
40	285.	
45	262.	202.6
50	235.	
55	203.	182.5
60	178.	
65	151.	150.0
70	124.	
75	106.	112.5
80	84.	
85	65.	70.6
90	102.	
95	287.	312.6
100	490.	
105	532.	562.7
110	595.	
115	679.	674.4
120	773.	
125	857.	768.5
130	927.	
135	979.	758.2
140	1035.	
145	1092.	685.9
150	1149.	
155	1210.	560.1
160	1194.	
165	1120.	317.4
170	986.	
175	877.	83.7
180	789.	



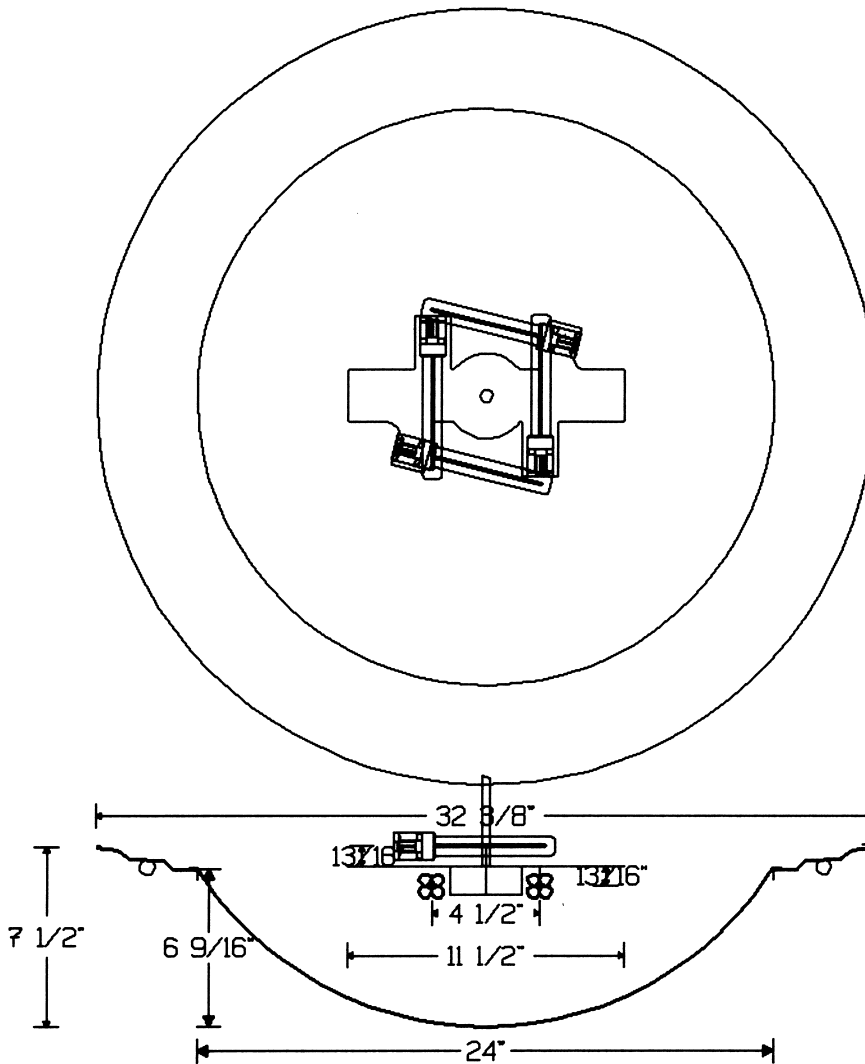
LUMEN SUMMARY

ZONE	LUMENS	%LAMP	%FIXT	ZONE	LUMENS	%LAMP	%FIXT
0- 30	299.	4.2	5.0	90-120	1550.	21.5	26.1
0- 40	488.	6.8	8.2	90-130	2318.	32.2	39.1
0- 60	873.	12.1	14.7	90-150	3762.	52.3	63.5
0- 90	1206.	16.7	20.3	90-180	4723.	65.6	79.7
TOTAL LUMINAIRE =				0-180	5929.	82.4	100.0

IES SPACING CRITERIA: ADJACENT= 1.3 DIAGONAL= .9

SIGNIFICANCE OF THE TEST IS LIMITED TO THE DEGREE THAT THE TESTED SAMPLE IS REPRESENTATIVE. OTHER FACTORS AFFECT FIELD PERFORMANCE.

BALLABS CERTIFIED TEST REPORT NO.: 11361.0 DATE 02/15/02
 PREPARED FOR: G LIGHTING INC - ST. LOUIS, MISSOURI
 DESCRIPTION: 4/26W QUAD CF LAMP 32"DIA INDIRECT PENDANT MNT LUMINAIRE
 WHITE OUTER RING & 24"DIA WHITE ACRYLIC BOWL REFL=90%
 2 ENERGY SAVINGS BLST #ES-2/1-CFQ-26-UNV-D WATTS=100
 CATALOG NBR: G12020-24-P-UN-W-PT-034
 LAMP TYPE : CFQ26/835/4P RATED LUMENS 1800. NBR. LAMPS:- 4



BALLABS CERTIFIED TEST REPORT NO.: 11361.0 DATE 02/15/02
 PREPARED FOR: G LIGHTING INC - ST. LOUIS, MISSOURI
 DESCRIPTION: 4/26W QUAD CF LAMP 32"DIA INDIRECT PENDANT MNT LUMINAIRE
 WHITE OUTER RING & 24"DIA WHITE ACRYLIC BOWL REFL=90%
 2 ENERGY SAVINGS BLST #ES-2/1-CFQ-26-UNV-D WATTS=100
 CATALOG NBR: G12020-24-P-UN-W-PT-034
 LAMP TYPE : CFQ26/835/4P RATED LUMENS 1800. NBR. LAMPS:- 4

LUMINANCES-CD/SQ-M
 HORIZONTAL ANGLE

VERT ANGLE	HORIZONTAL ANGLE
	0
45	966.
55	831.
65	717.
75	623.
85	516.

MAXIMUM BRIGHTNESSES NOT MEASURED

ZONAL CAVITY COEFFICIENTS OF UTILIZATION

EFFECTIVE FLOOR CAVITY REFLECTANCE=.20

CEILING	.80		.70		.50		.30		.10		.00							
WALL	.70	.50	.30	.10	.70	.50	.30	.10	.50	.30	.10	.50	.30	.10	.50	.30	.10	.00
RCR																		
0	.82	.82	.82	.82	.73	.73	.73	.73	.55	.55	.55	.39	.39	.39	.24	.24	.24	.17
1	.75	.71	.68	.65	.66	.63	.60	.58	.48	.46	.44	.34	.33	.32	.21	.20	.20	.14
2	.68	.62	.57	.53	.60	.55	.51	.47	.42	.39	.36	.29	.28	.26	.18	.17	.16	.11
3	.62	.54	.49	.44	.54	.48	.43	.39	.37	.33	.31	.26	.24	.22	.16	.15	.14	.10
4	.57	.48	.42	.37	.50	.43	.37	.33	.32	.29	.26	.23	.21	.19	.14	.13	.12	.08
5	.52	.43	.36	.31	.45	.38	.32	.28	.29	.25	.22	.20	.18	.16	.13	.11	.10	.07
6	.48	.38	.32	.27	.42	.34	.28	.24	.26	.22	.19	.18	.16	.14	.11	.10	.09	.06
7	.44	.34	.28	.24	.39	.30	.25	.21	.23	.19	.17	.17	.14	.12	.10	.09	.08	.05
8	.41	.31	.25	.21	.36	.28	.22	.19	.21	.17	.15	.15	.12	.11	.09	.08	.07	.04
9	.38	.28	.22	.18	.33	.25	.20	.17	.19	.15	.13	.14	.11	.09	.08	.07	.06	.04
10	.35	.26	.20	.16	.31	.23	.18	.15	.18	.14	.12	.12	.10	.08	.08	.06	.05	.03

TESTED IN ACCORDANCE WITH CURRENT IES PROCEDURES