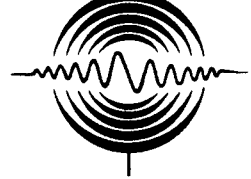


BUILDING ACOUSTICS & LIGHTING LABORATORIES, INC.

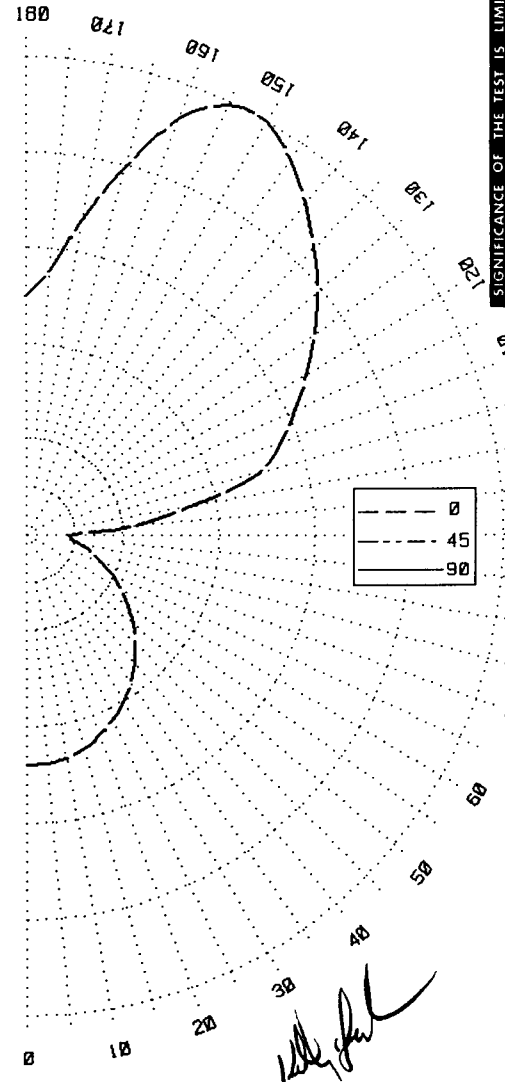
1618 HEADLAND DR.
 FENTON, MO 63026
 (636) - 343-6006
 (636) - 343-6051 FAX



BALLABS CERTIFIED TEST REPORT NO.: 12486.0 DATE 12/08/04
 PREPARED FOR: G-LIGHTING/GROSS CHANDELIER - ST, LOUIS, MISSOURI
 DESCRIPTION: 4/26W QUAD CF 22.5"DIA PENDANT MNT LUMINAIRE
 22.5"DIA STEEL RING w/18"DIA WHITE ACRYLIC BOWL
 2 UNIVERSAL BALLAST #C2642UNVSE WATTS=100
 CATALOG NBR: GL18WP-4/26QCF
 LAMP TYPE : CFQ26W/24q/835 RATED LUMENS 1800. NBR. LAMPS:- 4

CANDLEPOWER DISTRIBUTION

VERT ANG	AVERAGE CANDELA	ZONAL LUMENS
0	430.	
5	428.	40.9
10	424.	
15	414.	117.2
20	399.	
25	382.	176.6
30	362.	
35	340.	213.7
40	315.	
45	287.	222.4
50	261.	
55	233.	209.0
60	205.	
65	178.	176.8
70	151.	
75	126.	133.6
80	105.	
85	84.	91.9
90	78.	
95	198.	216.4
100	311.	
105	453.	479.0
110	510.	
115	556.	551.6
120	607.	
125	661.	593.1
130	714.	
135	763.	590.7
140	815.	
145	863.	542.2
150	900.	
155	895.	414.1
160	835.	
165	715.	202.6
170	599.	
175	498.	47.6
180	448.	

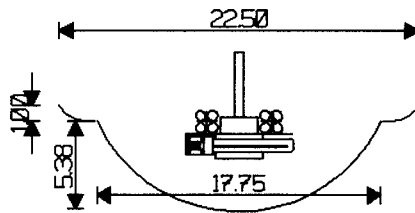
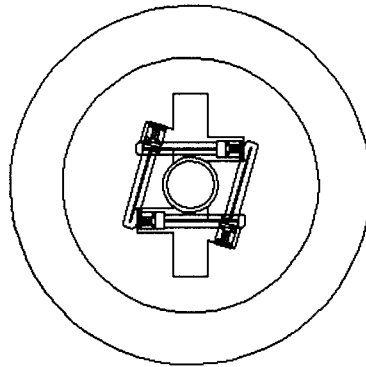


LUMEN SUMMARY

ZONE	LUMENS	%LAMP	%FIXT	ZONE	LUMENS	%LAMP	%FIXT
0- 30	335.	4.6	6.7	90-120	1247.	17.3	24.8
0- 40	548.	7.6	10.9	90-130	1840.	25.6	36.7
0- 60	980.	13.6	19.5	90-150	2973.	41.3	59.2
0- 90	1382.	19.2	27.5	90-180	3637.	50.5	72.5
TOTAL LUMINAIRE =				0-180	5020.	69.7	100.0
IES SPACING CRITERIA: ADJACENT= 1.3				DIAGONAL=	.9		

SIGNIFICANCE OF THE TEST IS LIMITED TO THE DEGREE THAT THE TESTED SAMPLE IS REPRESENTATIVE. OTHER FACTORS AFFECT FIELD PERFORMANCE.

BALLABS CERTIFIED TEST REPORT NO.: 12486.0 DATE 12/08/04
PREPARED FOR: G-LIGHTING/GROSS CHANDELIER - ST, LOUIS, MISSOURI
DESCRIPTION: 4/26W QUAD CF 22.5"DIA PENDANT MNT LUMINAIRE
22.5"DIA STEEL RING w/18"DIA WHITE ACRYLIC BOWL
2 UNIVERSAL BALLAST #C2642UNVSE WATTS=100
CATALOG NBR: GL18WP-4/26QCF
LAMP TYPE : CFQ26W/24q/835 RATED LUMENS 1800. NBR. LAMPS:- 4



BALLABS CERTIFIED TEST REPORT NO.: 12486.0 DATE 12/08/04
 PREPARED FOR: G-LIGHTING/GROSS CHANDELIER - ST, LOUIS, MISSOURI
 DESCRIPTION: 4/26W QUAD CF 22.5"DIA PENDANT MNT LUMINAIRE
 22.5"DIA STEEL RING w/18"DIA WHITE ACRYLIC BOWL
 2 UNIVERSAL BALLAST #C2642UNVSE WATTS=100

CATALOG NBR: GL18WP-4/26QCF
 LAMP TYPE : CFQ26W/24q/835 RATED LUMENS 1800. NBR. LAMPS:- 4

LUMINANCES-CD/SQ-M
 HORIZONTAL ANGLE

VERT ANGLE	0
45	1822.
55	1628.
65	1434.
75	1243.
85	1111.

MAXIMUM BRIGHTNESSES NOT MEASURED

ZONAL CAVITY COEFFICIENTS OF UTILIZATION

EFFECTIVE FLOOR CAVITY REFLECTANCE=.20

CEILING	.80		.70		.50		.30		.10		.00							
WALL	.70	.50	.30	.10	.70	.50	.30	.10	.50	.30	.10	.50	.30	.10	.50	.30	.10	.00
RCR																		
0	.71	.71	.71	.71	.63	.63	.63	.63	.49	.49	.49	.37	.37	.37	.25	.25	.25	.19
1	.64	.61	.58	.56	.57	.55	.52	.50	.43	.41	.40	.32	.31	.30	.21	.21	.20	.15
2	.58	.53	.49	.45	.52	.48	.44	.41	.37	.35	.32	.28	.26	.24	.19	.18	.17	.13
3	.53	.47	.42	.38	.47	.42	.38	.34	.33	.30	.27	.24	.22	.21	.16	.15	.14	.11
4	.49	.41	.36	.32	.43	.37	.32	.29	.29	.26	.23	.22	.19	.18	.15	.13	.12	.09
5	.44	.36	.31	.27	.39	.33	.28	.24	.26	.22	.20	.19	.17	.15	.13	.12	.10	.08
6	.41	.33	.27	.23	.36	.29	.25	.21	.23	.20	.17	.17	.15	.13	.12	.10	.09	.07
7	.38	.29	.24	.20	.33	.26	.22	.18	.21	.17	.15	.15	.13	.11	.11	.09	.08	.06
8	.35	.27	.21	.18	.31	.24	.19	.16	.19	.15	.13	.14	.12	.10	.10	.08	.07	.05
9	.32	.24	.19	.16	.29	.22	.17	.14	.17	.14	.11	.13	.10	.09	.09	.07	.06	.04
10	.30	.22	.17	.14	.27	.20	.16	.13	.16	.12	.10	.12	.09	.08	.08	.06	.05	.04

TESTED IN ACCORDANCE WITH CURRENT IES PROCEDURES