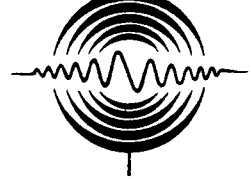


# BUILDING ACOUSTICS & LIGHTING LABORATORIES, INC.

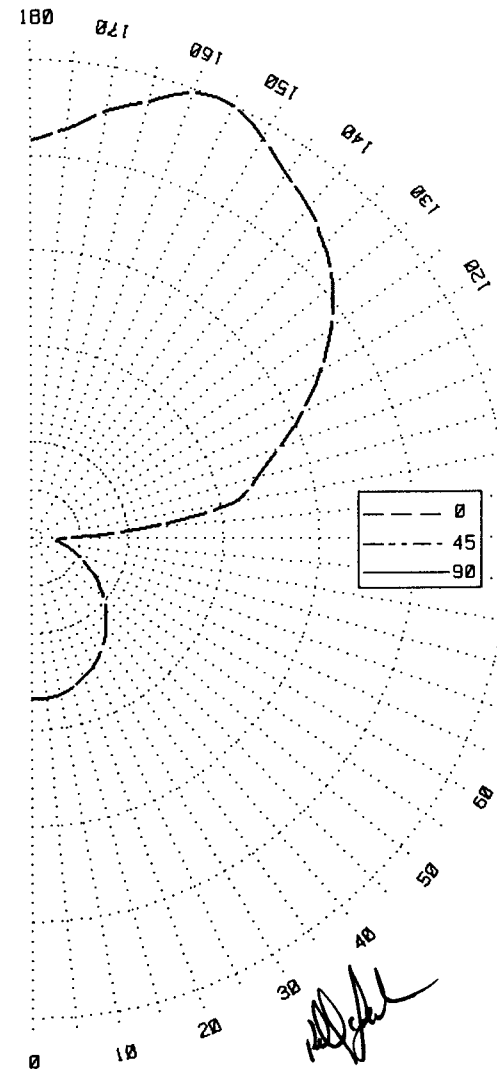
1618 HEADLAND DR.  
 FENTON, MO 63026  
 (636) - 343-6006  
 (636) - 343-6051 FAX



BALLABS CERTIFIED TEST REPORT NO.: 12487.0 DATE 12/08/04  
 PREPARED FOR: G-LIGHTING/GROSS CHANDELIER - ST. LOUIS, MISSOURI  
 DESCRIPTION: 4/26W QUAD CF 35.5"DIA PENDANT MNT LUMINAIRE  
 35.5"DIA STEEL RING w/30"DIA WHITE ACRYLIC BOWL  
 2 UNIVERSAL BALLAST #C2642UNVSE WATTS=101  
 CATALOG NBR: GL30WP-4/26QCF  
 LAMP TYPE : CFQ26W/24q/835 RATED LUMENS 1800. NBR. LAMPS:- 4

## CANDLEPOWER DISTRIBUTION

VERT ANG	AVERAGE CANDELA	ZONAL LUMENS
0	336.	
5	336.	32.0
10	332.	
15	323.	91.6
20	312.	
25	298.	138.1
30	282.	
35	263.	165.3
40	241.	
45	219.	169.6
50	197.	
55	172.	154.6
60	149.	
65	124.	123.2
70	101.	
75	82.	86.2
80	64.	
85	49.	52.9
90	74.	
95	219.	238.9
100	431.	
105	492.	520.6
110	554.	
115	629.	623.9
120	702.	
125	770.	690.9
130	827.	
135	871.	674.3
140	908.	
145	937.	588.3
150	975.	
155	1005.	465.2
160	999.	
165	952.	269.9
170	914.	
175	866.	82.6
180	838.	

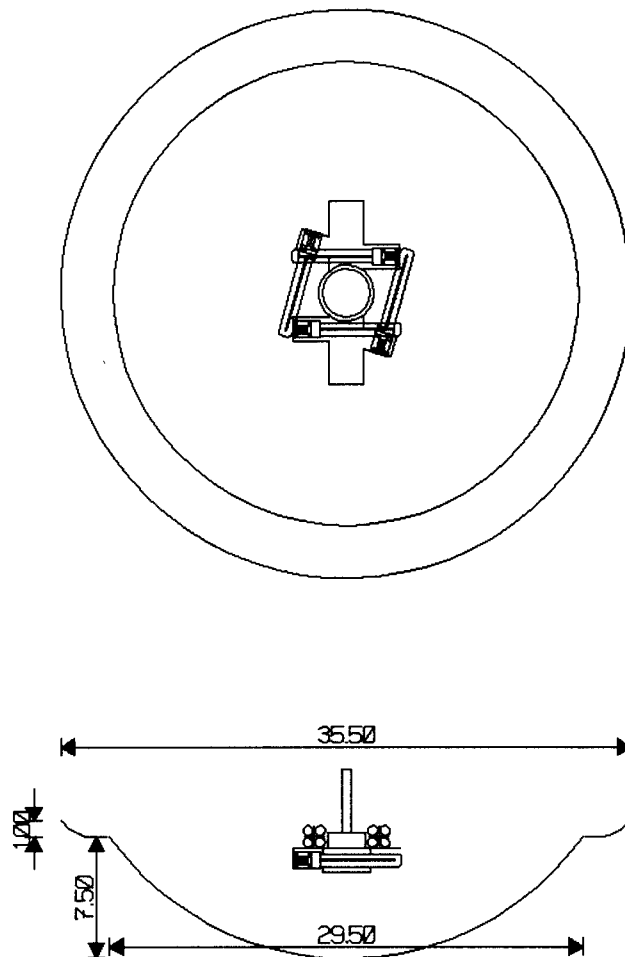


## LUMEN SUMMARY

ZONE	LUMENS	%LAMP	%FIXT	ZONE	LUMENS	%LAMP	%FIXT
0- 30	262.	3.6	5.1	90-120	1383.	19.2	26.8
0- 40	427.	5.9	8.3	90-130	2074.	28.8	40.1
0- 60	751.	10.4	14.5	90-150	3337.	46.3	64.6
0- 90	1014.	14.1	19.6	90-180	4155.	57.7	80.4
TOTAL LUMINAIRE =				0-180	5168.	71.8	100.0
IES SPACING CRITERIA: ADJACENT= 1.2				DIAGONAL=	.9		

SIGNIFICANCE OF THE TEST IS LIMITED TO THE DEGREE THAT THE TESTED SAMPLE IS REPRESENTATIVE. OTHER FACTORS AFFECT FIELD PERFORMANCE.

BALLABS CERTIFIED TEST REPORT NO.: 12487.0 DATE 12/08/04  
PREPARED FOR: G-LIGHTING/GROSS CHANDELIER - ST. LOUIS, MISSOURI  
DESCRIPTION: 4/26W QUAD CF 35.5"DIA PENDANT MNT LUMINAIRE  
35.5"DIA STEEL RING w/30"DIA WHITE ACRYLIC BOWL  
2 UNIVERSAL BALLAST #C2642UNVSE WATTS=101  
CATALOG NBR: GL30WP-4/26QCF  
LAMP TYPE : CFQ26W/24q/835 RATED LUMENS 1800. NBR. LAMPS:- 4



BALLABS CERTIFIED TEST REPORT NO.: 12487.0 DATE 12/08/04  
 PREPARED FOR: G-LIGHTING/GROSS CHANDELIER - ST. LOUIS, MISSOURI  
 DESCRIPTION: 4/26W QUAD CF 35.5"DIA PENDANT MNT LUMINAIRE  
 35.5"DIA STEEL RING w/30"DIA WHITE ACRYLIC BOWL  
 2 UNIVERSAL BALLAST #C2642UNVSE WATTS=101

CATALOG NBR: GL30WP-4/26QCF  
 LAMP TYPE : CFQ26W/24q/835 RATED LUMENS 1800. NBR. LAMPS:- 4  
 \*\*\*\*\*

LUMINANCES-CD/SQ-M  
 HORIZONTAL ANGLE

VERT ANGLE	0
45	527.
55	462.
65	390.
75	321.
85	266.

\*\*MAXIMUM BRIGHTNESSES NOT MEASURED\*\*

\*\*\*\*\*

ZONAL CAVITY COEFFICIENTS OF UTILIZATION

EFFECTIVE FLOOR CAVITY REFLECTANCE=.20

CEILING	.80		.70		.50		.30		.10		.00							
WALL	.70	.50	.30	.10	.70	.50	.30	.10	.50	.30	.10	.50	.30	.10	.50	.30	.10	.00
RCR																		
0	.72	.72	.72	.72	.63	.63	.63	.63	.48	.48	.48	.33	.33	.33	.20	.20	.20	.14
1	.65	.62	.59	.57	.57	.55	.53	.50	.41	.40	.39	.29	.28	.27	.18	.17	.17	.12
2	.59	.54	.50	.46	.52	.48	.44	.41	.36	.34	.32	.25	.24	.23	.15	.15	.14	.10
3	.54	.47	.42	.38	.47	.42	.38	.34	.32	.29	.27	.22	.21	.19	.14	.13	.12	.08
4	.49	.42	.36	.32	.43	.37	.33	.29	.28	.25	.23	.20	.18	.16	.12	.11	.10	.07
5	.45	.37	.32	.28	.40	.33	.28	.25	.25	.22	.19	.18	.16	.14	.11	.10	.09	.06
6	.41	.33	.28	.24	.36	.30	.25	.21	.23	.19	.17	.16	.14	.12	.10	.09	.08	.05
7	.38	.30	.25	.21	.34	.27	.22	.19	.20	.17	.15	.14	.12	.11	.09	.08	.07	.04
8	.35	.27	.22	.18	.31	.24	.20	.16	.18	.15	.13	.13	.11	.09	.08	.07	.06	.04
9	.33	.25	.19	.16	.29	.22	.17	.14	.17	.14	.11	.12	.10	.08	.07	.06	.05	.03
10	.31	.22	.18	.14	.27	.20	.16	.13	.15	.12	.10	.11	.09	.07	.07	.05	.05	.03

TESTED IN ACCORDANCE WITH CURRENT IES PROCEDURES