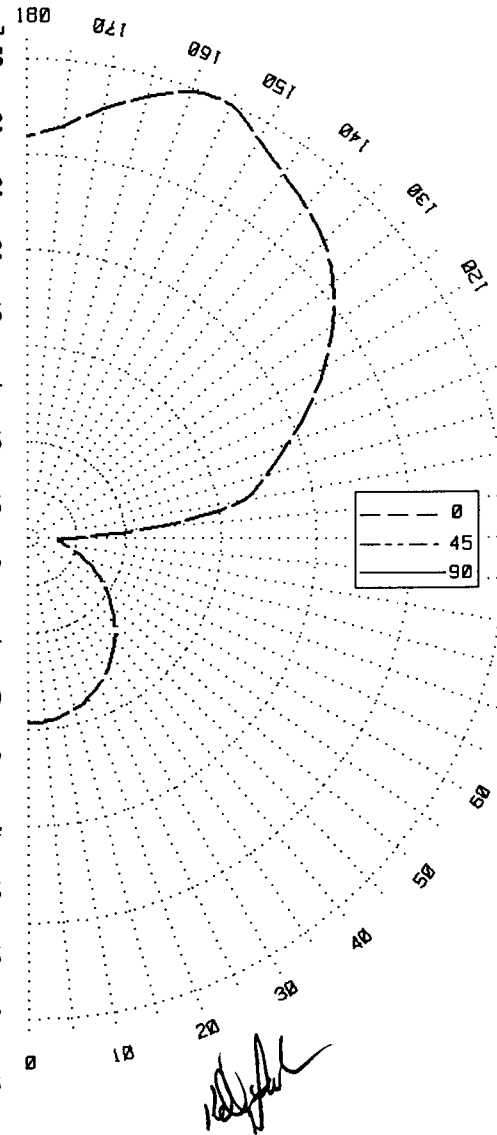


BALLABS CERTIFIED TEST REPORT NO.: 12488.0      DATE 12/08/04  
 PREPARED FOR: G-LIGHTING/GROSS CHANDELIER - ST. LOUIS, MISSOURI  
 DESCRIPTION: 4/26W QUAD CF 35.5"DIA PENDANT MNT LUMINAIRE  
                   35.5"DIA STEEL RING w/30"DIA SATIN WHITE ACRYLIC BOWL  
                   2 UNIVERSAL BALLAST #C2642UNVSE      WATTS=103  
 CATALOG NBR: GL30SP-4/26QCF  
 LAMP TYPE : CFQ26W/24q/835      RATED LUMENS      1800.      NBR. LAMPS:-      4

### CANDLEPOWER DISTRIBUTION

VERT ANG	AVERAGE CANDELA	ZONAL LUMENS
0	390.	
5	389.	37.2
10	383.	106.2
15	375.	160.2
20	362.	191.6
25	346.	198.1
30	327.	181.5
35	305.	148.5
40	282.	104.7
45	256.	66.1
50	230.	289.0
55	202.	553.7
60	176.	650.4
65	150.	708.5
70	123.	687.5
75	99.	592.7
80	79.	470.3
85	61.	275.1
90	91.	83.9
95	265.	
100	461.	
105	523.	
110	585.	
115	655.	
120	726.	
125	790.	
130	845.	
135	888.	
140	917.	
145	944.	
150	976.	
155	1016.	
160	1009.	
165	970.	
170	928.	
175	879.	
180	853.	



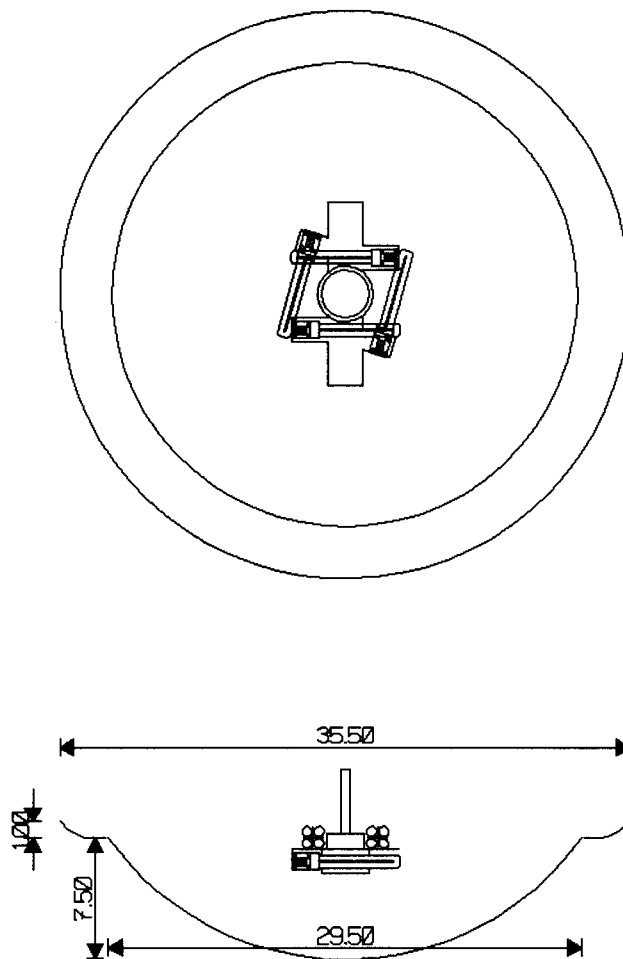
### LUMEN SUMMARY

ZONE	LUMENS	%LAMP	%FIXT	ZONE	LUMENS	%LAMP	%FIXT
0- 30	304.	4.2	5.5	90-120	1493.	20.7	27.1
0- 40	495.	6.9	9.0	90-130	2202.	30.6	40.0
0- 60	875.	12.1	15.9	90-150	3482.	48.4	63.2
0- 90	1194.	16.6	21.7	90-180	4311.	59.9	78.3
TOTAL LUMINAIRE =				0-180	5505.	76.5	100.0

IES SPACING CRITERIA: ADJACENT= 1.2      DIAGONAL= .9

SIGNIFICANCE OF THE TEST IS LIMITED TO THE DEGREE THAT THE TESTED SAMPLE IS REPRESENTATIVE. OTHER FACTORS AFFECT FIELD PERFORMANCE.

BALLABS CERTIFIED TEST REPORT NO.: 12488.0 DATE 12/08/04  
PREPARED FOR: G-LIGHTING/GROSS CHANDELIER - ST. LOUIS, MISSOURI  
DESCRIPTION: 4/26W QUAD CF 35.5"DIA PENDANT MNT LUMINAIRE  
35.5"DIA STEEL RING w/30"DIA SATIN WHITE ACRYLIC BOWL  
2 UNIVERSAL BALLAST #C2642UNVSE WATTS=103  
CATALOG NBR: GL30SP-4/26QCF  
LAMP TYPE : CFQ26W/24q/835 RATED LUMENS 1800. NBR. LAMPS:- 4



BALLABS CERTIFIED TEST REPORT NO.: 12488.0 DATE 12/08/04  
 PREPARED FOR: G-LIGHTING/GROSS CHANDELIER - ST. LOUIS, MISSOURI  
 DESCRIPTION: 4/26W QUAD CF 35.5"DIA PENDANT MNT LUMINAIRE  
 35.5"DIA STEEL RING w/30"DIA SATIN WHITE ACRYLIC BOWL  
 2 UNIVERSAL BALLAST #C2642UNVSE WATTS=103  
 CATALOG NBR: GL30SP-4/26QCF  
 LAMP TYPE : CFQ26W/24q/835 RATED LUMENS 1800. NBR. LAMPS:- 4  
 \*\*\*\*\*

LUMINANCES-CD/SQ-M  
 HORIZONTAL ANGLE

VERT ANGLE	0
45	615.
55	543.
65	470.
75	390.
85	333.

\*\*MAXIMUM BRIGHTNESSES NOT MEASURED\*\*

\*\*\*\*\*

ZONAL CAVITY COEFFICIENTS OF UTILIZATION

EFFECTIVE FLOOR CAVITY REFLECTANCE=.20

CEILING	.80		.70		.50		.30		.10		.00							
WALL	.70	.50	.30	.10	.70	.50	.30	.10	.50	.30	.10	.50	.30	.10	.50	.30	.10	.00
RCR																		
0	.77	.77	.77	.77	.68	.68	.68	.68	.52	.52	.52	.37	.37	.37	.23	.23	.23	.17
1	.70	.66	.63	.61	.62	.59	.56	.54	.45	.43	.42	.32	.31	.30	.20	.19	.19	.14
2	.63	.58	.53	.49	.56	.51	.47	.44	.39	.37	.34	.28	.26	.25	.18	.17	.16	.11
3	.58	.51	.45	.41	.51	.45	.41	.37	.34	.31	.29	.25	.23	.21	.16	.14	.14	.10
4	.53	.45	.39	.35	.46	.40	.35	.31	.31	.27	.24	.22	.20	.18	.14	.13	.12	.08
5	.48	.40	.34	.29	.42	.35	.30	.26	.27	.24	.21	.19	.17	.15	.12	.11	.10	.07
6	.44	.36	.30	.25	.39	.32	.27	.23	.24	.21	.18	.17	.15	.13	.11	.10	.09	.06
7	.41	.32	.26	.22	.36	.29	.24	.20	.22	.18	.16	.16	.13	.12	.10	.09	.08	.05
8	.38	.29	.23	.19	.33	.26	.21	.18	.20	.16	.14	.14	.12	.10	.09	.08	.07	.04
9	.35	.26	.21	.17	.31	.23	.19	.15	.18	.15	.12	.13	.11	.09	.08	.07	.06	.04
10	.33	.24	.19	.15	.29	.21	.17	.14	.17	.13	.11	.12	.10	.08	.07	.06	.05	.03

TESTED IN ACCORDANCE WITH CURRENT IES PROCEDURES