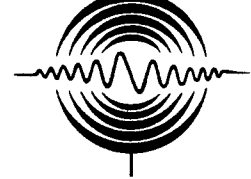


BUILDING ACOUSTICS & LIGHTING LABORATORIES, INC.

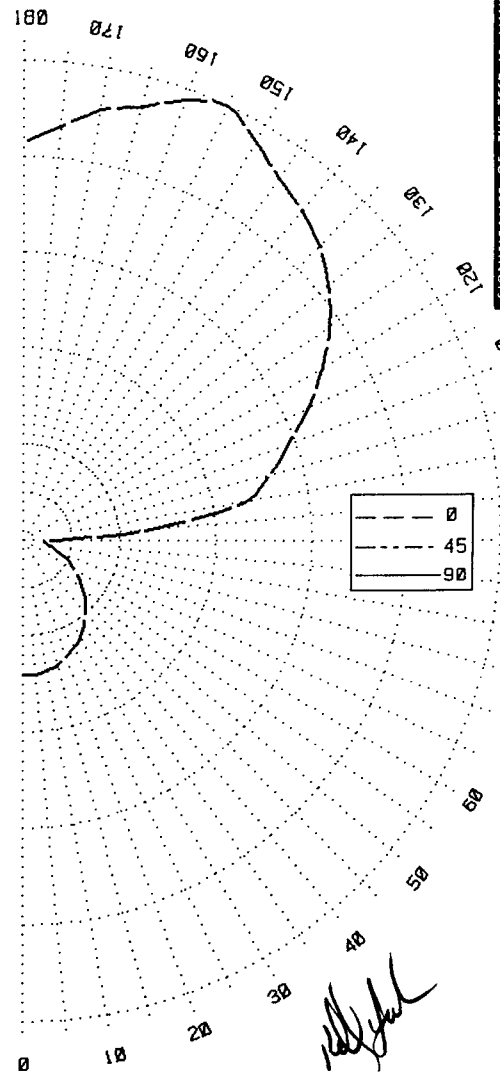
1618 HEADLAND DR.
 FENTON, MO 63026
 (636) - 343-6006
 (636) - 343-6051 FAX



BALLABS CERTIFIED TEST REPORT NO.: 12489.0 DATE 12/08/04
 PREPARED FOR: G-LIGHTING/GROSS CHANDELIER - ST. LOUIS, MISSOURI
 DESCRIPTION: 4/26W QUAD CF 35.5"DIA PENDANT MNT LUMINAIRE
 35.5"DIA STEEL RING w/30"DIA FAUX ALABASTER ACRYLIC BOWL
 2 UNIVERSAL BALLAST #C2642UNVSE WATTS=104
 CATALOG NBR: GL30FP-4/26QCF
 LAMP TYPE : CFQ26W/24q/835 RATED LUMENS 1800. NBR. LAMPS:- 4

CANDLEPOWER DISTRIBUTION

VERT ANG	AVERAGE CANDELA	ZONAL LUMENS
0	261.	
5	261.	24.9
10	257.	
15	252.	71.3
20	243.	
25	232.	107.2
30	220.	
35	204.	128.4
40	188.	
45	171.	132.1
50	152.	
55	134.	120.6
60	116.	
65	97.	95.9
70	79.	
75	63.	67.0
80	51.	
85	38.	41.6
90	64.	
95	233.	254.1
100	436.	
105	496.	524.6
110	548.	
115	610.	605.7
120	670.	
125	726.	651.3
130	773.	
135	811.	628.2
140	838.	
145	862.	541.7
150	898.	
155	934.	432.1
160	913.	
165	875.	248.0
170	851.	
175	809.	77.2
180	777.	

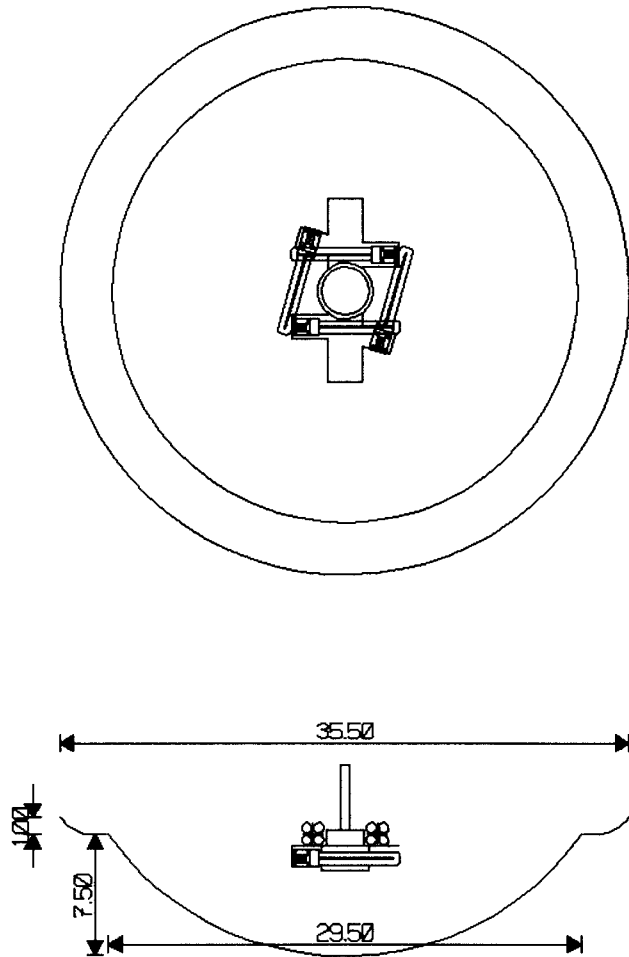


LUMEN SUMMARY

ZONE	LUMENS	%LAMP	%FIXT	ZONE	LUMENS	%LAMP	%FIXT
0- 30	203.	2.8	4.3	90-120	1384.	19.2	29.1
0- 40	332.	4.6	7.0	90-130	2036.	28.3	42.8
0- 60	585.	8.1	12.3	90-150	3206.	44.5	67.5
0- 90	789.	11.0	16.6	90-180	3963.	55.0	83.4
TOTAL LUMINAIRE =				0-180	4752.	66.0	100.0
IES SPACING CRITERIA: ADJACENT= 1.3				DIAGONAL=	.9		

SIGNIFICANCE OF THE TEST IS LIMITED TO THE DEGREE THAT THE TESTED SAMPLE IS REPRESENTATIVE. OTHER FACTORS AFFECT FIELD PERFORMANCE.

BALLABS CERTIFIED TEST REPORT NO.: 12489.0 DATE 12/08/04
PREPARED FOR: G-LIGHTING/GROSS CHANDELIER - ST. LOUIS, MISSOURI
DESCRIPTION: 4/26W QUAD CF 35.5"DIA PENDANT MNT LUMINAIRE
35.5"DIA STEEL RING w/30"DIA FAUX ALABASTER ACRYLIC BOWL
2 UNIVERSAL BALLAST #C2642UNVSE WATTS=104
CATALOG NBR: GL30FP-4/26QCF
LAMP TYPE : CFQ26W/24q/835 RATED LUMENS 1800. NBR. LAMPS:- 4



BALLABS CERTIFIED TEST REPORT NO.: 12489.0 DATE 12/08/04
 PREPARED FOR: G-LIGHTING/GROSS CHANDELIER - ST. LOUIS, MISSOURI
 DESCRIPTION: 4/26W QUAD CF 35.5"DIA PENDANT MNT LUMINAIRE
 35.5"DIA STEEL RING w/30"DIA FAUX ALABASTER ACRYLIC BOWL
 2 UNIVERSAL BALLAST #C2642UNVSE WATTS=104
 CATALOG NBR: GL30FP-4/26QCF
 LAMP TYPE : CFQ26W/24q/835 RATED LUMENS 1800. NBR. LAMPS:- 4

LUMINANCES-CD/SQ-M
 HORIZONTAL ANGLE

VERT ANGLE	0
45	410.
55	361.
65	304.
75	250.
85	209.

MAXIMUM BRIGHTNESSES NOT MEASURED

ZONAL CAVITY COEFFICIENTS OF UTILIZATION

EFFECTIVE FLOOR CAVITY REFLECTANCE=.20

CEILING	.80		.70		.50		.30		.10		.00							
WALL	.70	.50	.30	.10	.70	.50	.30	.10	.50	.30	.10	.50	.30	.10	.50	.30	.10	.00
RCR																		
0	.65	.65	.65	.65	.58	.58	.58	.58	.43	.43	.43	.29	.29	.29	.17	.17	.17	.11
1	.59	.57	.54	.52	.52	.50	.48	.46	.37	.36	.35	.25	.25	.24	.15	.14	.14	.09
2	.54	.49	.45	.42	.47	.43	.40	.37	.32	.30	.28	.22	.21	.20	.13	.12	.12	.08
3	.49	.43	.39	.35	.43	.38	.34	.31	.29	.26	.24	.20	.18	.17	.11	.11	.10	.06
4	.45	.38	.33	.29	.39	.34	.30	.26	.25	.22	.20	.17	.16	.14	.10	.09	.09	.05
5	.41	.34	.29	.25	.36	.30	.26	.22	.22	.20	.17	.16	.14	.12	.09	.08	.07	.05
6	.38	.30	.25	.22	.33	.27	.23	.19	.20	.17	.15	.14	.12	.11	.08	.07	.06	.04
7	.35	.27	.22	.19	.31	.24	.20	.17	.18	.15	.13	.13	.11	.09	.07	.06	.06	.03
8	.32	.25	.20	.17	.28	.22	.18	.15	.16	.14	.12	.11	.10	.08	.07	.06	.05	.03
9	.30	.22	.18	.15	.26	.20	.16	.13	.15	.12	.10	.10	.09	.07	.06	.05	.04	.03
10	.28	.21	.16	.13	.25	.18	.14	.12	.14	.11	.09	.09	.08	.06	.05	.04	.04	.02

TESTED IN ACCORDANCE WITH CURRENT IES PROCEDURES