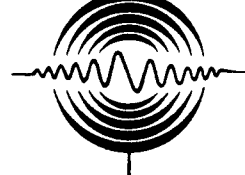


BUILDING ACOUSTICS & LIGHTING LABORATORIES, INC.

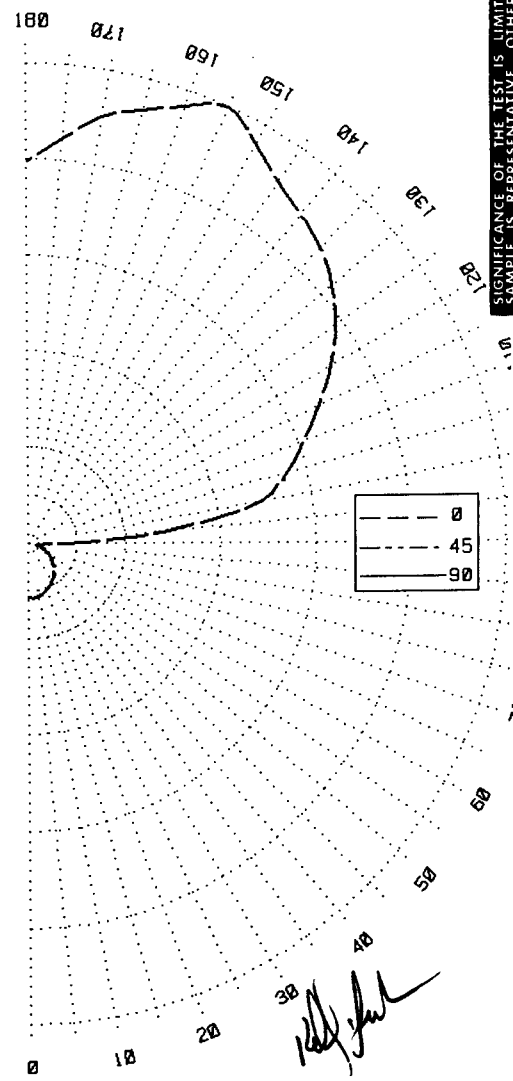
1618 HEADLAND DR.
 FENTON, MO 63026
 (636) - 343-6006
 (636) - 343-6051 FAX



BALLABS CERTIFIED TEST REPORT NO.: 12490.0 DATE 12/08/04
 PREPARED FOR: G-LIGHTING/GROSS CHANDELIER - ST. LOUIS, MISSOURI
 DESCRIPTION: 4/26W QUAD CF 35.5"DIA PENDANT MNT LUMINAIRE
 35.5"DIA STEEL RING w/30"DIA EARTH MARBLE ACRYLIC BOWL
 2 UNIVERSAL BALLAST #C2642UNVSE WATTS=104
 CATALOG NBR: GL30MP-4/26QCF
 LAMP TYPE : CFQ26W/24q/835 RATED LUMENS 1800. NBR. LAMPS:- 4

CANDLEPOWER DISTRIBUTION

VERT ANG	AVERAGE CANDELA	ZONAL LUMENS
0	93.	9.1
5	95.	25.8
10	93.	38.7
15	91.	46.4
20	88.	47.2
25	84.	43.4
30	79.	34.7
35	74.	23.9
40	68.	16.2
45	61.	255.4
50	55.	494.4
55	48.	554.1
60	42.	586.0
65	35.	558.3
70	28.	478.5
75	23.	384.9
80	17.	220.0
85	15.	67.1
90	63.	
95	234.	
100	408.	
105	467.	
110	510.	
115	558.	
120	609.	
125	653.	
130	691.	
135	721.	
140	741.	
145	762.	
150	796.	
155	832.	
160	805.	
165	776.	
170	751.	
175	703.	
180	664.	



LUMEN SUMMARY

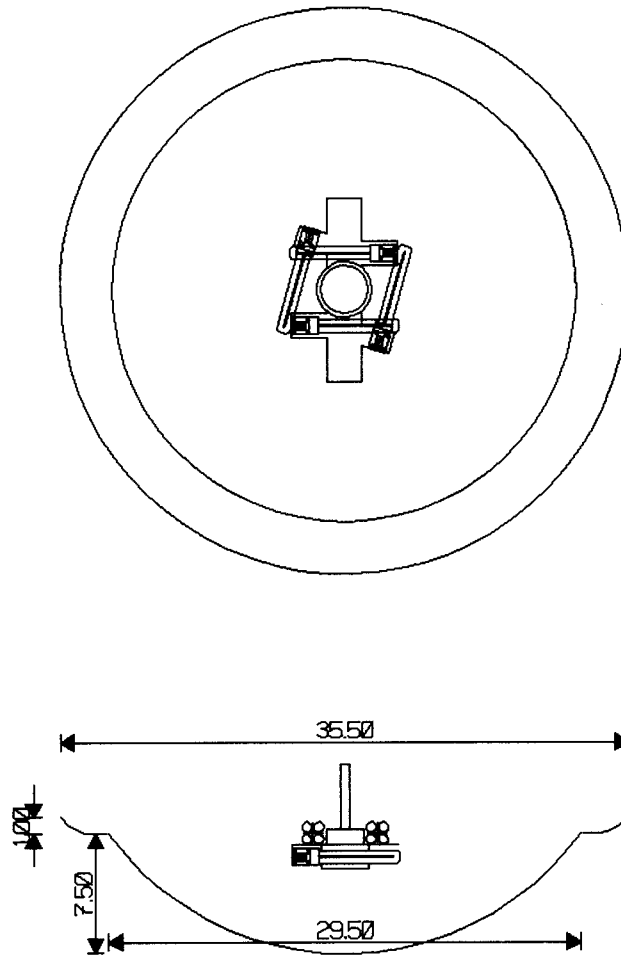
ZONE	LUMENS	%LAMP	%FIXT	ZONE	LUMENS	%LAMP	%FIXT
0- 30	74.	1.0	1.9	90-120	1304.	18.1	33.6
0- 40	120.	1.7	3.1	90-130	1890.	26.2	48.7
0- 60	211.	2.9	5.4	90-150	2927.	40.6	75.3
0- 90	286.	4.0	7.4	90-180	3599.	50.0	92.6

TOTAL LUMINAIRE = 0-180 3884. 53.9 100.0

IES SPACING CRITERIA: ADJACENT= 1.3 DIAGONAL= .9

SIGNIFICANCE OF THE TEST IS LIMITED TO THE DEGREE THAT THE TESTED SAMPLE IS REPRESENTATIVE. OTHER FACTORS AFFECT FIELD PERFORMANCE.

BALLABS CERTIFIED TEST REPORT NO.: 12490.0 DATE 12/08/04
PREPARED FOR: G-LIGHTING/GROSS CHANDELIER - ST. LOUIS, MISSOURI
DESCRIPTION: 4/26W QUAD CF 35.5"DIA PENDANT MNT LUMINAIRE
35.5"DIA STEEL RING w/30"DIA EARTH MARBLE ACRYLIC BOWL
2 UNIVERSAL BALLAST #C2642UNVSE WATTS=104
CATALOG NBR: GL30MP-4/26QCF
LAMP TYPE : CFQ26W/24q/835 RATED LUMENS 1800. NBR. LAMPS:- 4



BALLABS CERTIFIED TEST REPORT NO.: 12490.0 DATE 12/08/04
 PREPARED FOR: G-LIGHTING/GROSS CHANDELIER - ST. LOUIS, MISSOURI
 DESCRIPTION: 4/26W QUAD CF 35.5"DIA PENDANT MNT LUMINAIRE
 35.5"DIA STEEL RING w/30"DIA EARTH MARBLE ACRYLIC BOWL
 2 UNIVERSAL BALLAST #C2642UNVSE WATTS=104

CATALOG NBR: GL30MP-4/26QCF
 LAMP TYPE : CFQ26W/24q/835 RATED LUMENS 1800. NBR. LAMPS:- 4

LUMINANCES-CD/SQ-M
 HORIZONTAL ANGLE

VERT ANGLE	0
45	147.
55	130.
65	110.
75	89.
85	82.

MAXIMUM BRIGHTNESSES NOT MEASURED

ZONAL CAVITY COEFFICIENTS OF UTILIZATION

EFFECTIVE FLOOR CAVITY REFLECTANCE=.20

CEILING	.80		.70		.50		.30		.10		.00							
WALL	.70	.50	.30	.10	.70	.50	.30	.10	.50	.30	.10	.50	.30	.10	.50	.30	.10	.00
RCR																		
0	.52	.52	.52	.52	.45	.45	.45	.45	.32	.32	.32	.20	.20	.20	.09	.09	.09	.04
1	.48	.45	.43	.41	.41	.39	.38	.36	.28	.27	.26	.18	.17	.16	.08	.08	.08	.03
2	.43	.39	.36	.34	.37	.34	.32	.29	.24	.23	.21	.15	.14	.14	.07	.07	.06	.03
3	.39	.35	.31	.28	.34	.30	.27	.25	.21	.20	.18	.14	.12	.12	.06	.06	.05	.02
4	.36	.30	.27	.23	.31	.27	.23	.21	.19	.17	.15	.12	.11	.10	.05	.05	.05	.02
5	.33	.27	.23	.20	.28	.24	.20	.18	.17	.15	.13	.11	.09	.08	.05	.04	.04	.02
6	.30	.24	.20	.17	.26	.21	.18	.15	.15	.13	.11	.10	.08	.07	.04	.04	.03	.01
7	.28	.22	.18	.15	.24	.19	.16	.13	.14	.11	.10	.09	.07	.06	.04	.03	.03	.01
8	.26	.20	.16	.13	.22	.17	.14	.12	.12	.10	.09	.08	.07	.06	.04	.03	.03	.01
9	.24	.18	.14	.12	.21	.16	.13	.10	.11	.09	.08	.07	.06	.05	.03	.03	.02	.01
10	.22	.16	.13	.11	.19	.14	.11	.09	.10	.08	.07	.07	.05	.04	.03	.02	.02	.01

TESTED IN ACCORDANCE WITH CURRENT IES PROCEDURES