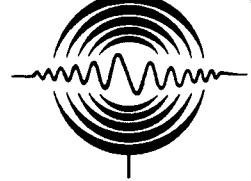


BUILDING ACOUSTICS & LIGHTING LABORATORIES, INC.

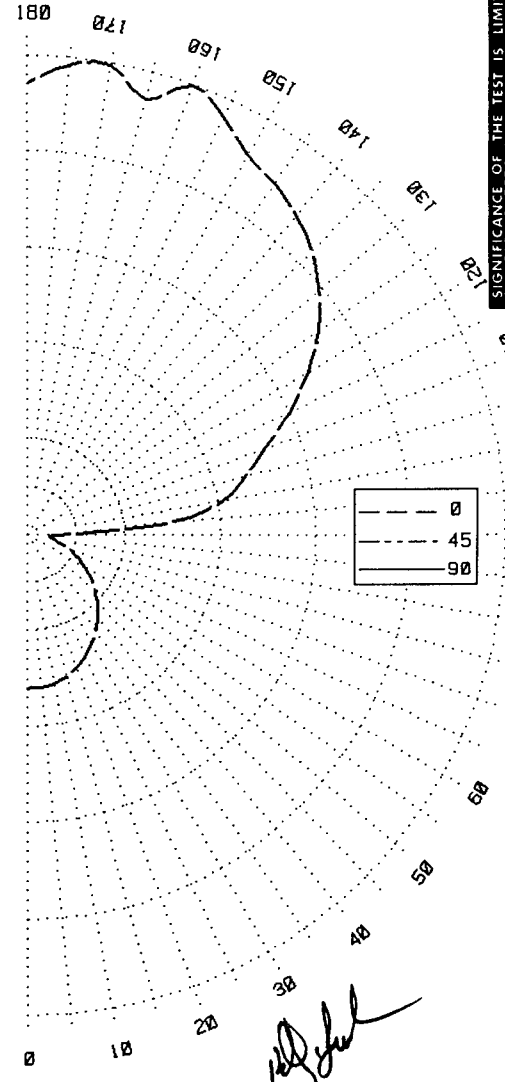
1618 HEADLAND DR.
 FENTON, MO 63026
 (636) - 343-6006
 (636) - 343-6051 FAX



BALLABS CERTIFIED TEST REPORT NO.: 12491.0 DATE 12/07/04
 PREPARED FOR: G-LIGHTING/GROSS CHANDELIER - ST. LOUIS, MISSOURI
 DESCRIPTION: 4/26W QUAD CF 44"DIA PENDANT MNT LUMINAIRE
 44"DIA STEEL RING w/38"DIA WHITE ACRYLIC BOWL
 2 UNIVERSAL BALLAST #C2642UNVSE WATTS=102
 CATALOG NBR: GL38WP-4/26QCF
 LAMP TYPE : CFQ26W/24q/835 RATED LUMENS 1800. NBR. LAMPS:- 4

CANDLEPOWER DISTRIBUTION

VERT ANG	AVERAGE CANDELA	ZONAL LUMENS
0	345.	32.8
5	344.	94.0
10	339.	140.8
15	332.	168.1
20	320.	171.6
25	304.	155.3
30	286.	123.8
35	268.	84.8
40	244.	51.1
45	222.	343.1
50	197.	535.0
55	173.	645.3
60	149.	718.0
65	125.	703.0
70	100.	607.9
75	80.	481.9
80	63.	289.1
85	47.	101.9
90	71.	
95	315.	
100	445.	
105	506.	
110	570.	
115	650.	
120	730.	
125	800.	
130	859.	
135	908.	
140	942.	
145	968.	
150	989.	
155	1041.	
160	1082.	
165	1020.	
170	1078.	
175	1067.	
180	1022.	



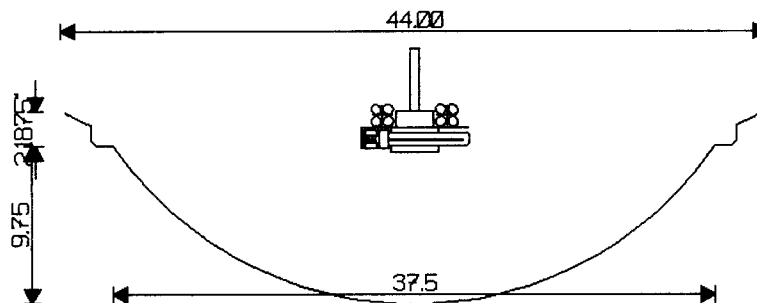
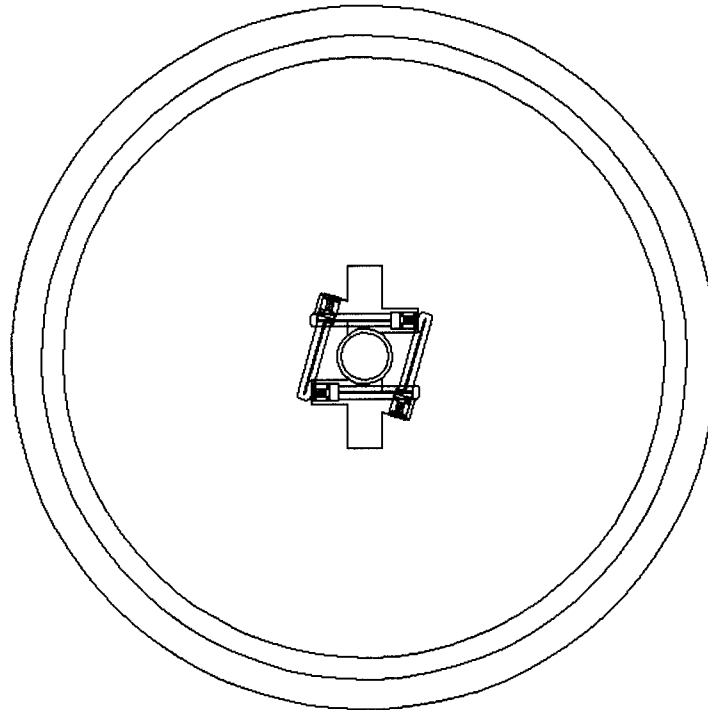
LUMEN SUMMARY

ZONE	LUMENS	%LAMP	%FIXT	ZONE	LUMENS	%LAMP	%FIXT
0- 30	268.	3.7	4.9	90-120	1524.	21.2	28.0
0- 40	436.	6.1	8.0	90-130	2241.	31.1	41.1
0- 60	763.	10.6	14.0	90-150	3552.	49.3	65.2
0- 90	1022.	14.2	18.8	90-180	4425.	61.5	81.2
TOTAL LUMINAIRE =				0-180	5448.	75.7	100.0

IES SPACING CRITERIA: ADJACENT= 1.2 DIAGONAL= .9

SIGNIFICANCE OF THE TEST IS LIMITED TO THE DEGREE THAT THE TESTED SAMPLE IS REPRESENTATIVE. OTHER FACTORS AFFECT FIELD PERFORMANCE.

BALLABS CERTIFIED TEST REPORT NO.: 12491.0 DATE 12/07/04
PREPARED FOR: G-LIGHTING/GROSS CHANDELIER - ST. LOUIS, MISSOURI
DESCRIPTION: 4/26W QUAD CF 44"DIA PENDANT MNT LUMINAIRE
44"DIA STEEL RING w/38"DIA WHITE ACRYLIC BOWL
2 UNIVERSAL BALLAST #C2642UNVSE WATTS=102
CATALOG NBR: GL38WP-4/26QCF
LAMP TYPE : CFQ26W/24q/835 RATED LUMENS 1800. NBR. LAMPS:- 4



BALLABS CERTIFIED TEST REPORT NO.: 12491.0 DATE 12/07/04
 PREPARED FOR: G-LIGHTING/GROSS CHANDELIER - ST. LOUIS, MISSOURI
 DESCRIPTION: 4/26W QUAD CF 44"DIA PENDANT MNT LUMINAIRE
 44"DIA STEEL RING w/38"DIA WHITE ACRYLIC BOWL
 2 UNIVERSAL BALLAST #C2642UNVSE WATTS=102
 CATALOG NBR: GL38WP-4/26QCF
 LAMP TYPE : CFQ26W/24q/835 RATED LUMENS 1800. NBR. LAMPS:- 4

LUMINANCES-CD/SQ-M
 HORIZONTAL ANGLE

VERT ANGLE	0
45	328.
55	285.
65	240.
75	193.
85	157.

MAXIMUM BRIGHTNESSES NOT MEASURED

ZONAL CAVITY COEFFICIENTS OF UTILIZATION

EFFECTIVE FLOOR CAVITY REFLECTANCE=.20

CEILING	.80	.70	.50	.30	.10	.00												
WALL	.70	.50	.30	.10	.70	.50	.30	.10	.50	.30	.10	.50	.30	.10	.50	.30	.10	.00
RCR																		
0	.75	.75	.75	.75	.67	.67	.67	.67	.50	.50	.50	.35	.35	.35	.21	.21	.21	.14
1	.69	.65	.62	.60	.60	.58	.55	.53	.43	.42	.40	.30	.29	.28	.18	.18	.17	.12
2	.62	.57	.52	.49	.55	.50	.47	.43	.38	.35	.33	.26	.25	.24	.16	.15	.14	.10
3	.57	.50	.45	.40	.50	.44	.40	.36	.33	.30	.28	.23	.22	.20	.14	.13	.12	.08
4	.52	.44	.38	.34	.46	.39	.34	.31	.30	.26	.24	.21	.19	.17	.13	.11	.11	.07
5	.47	.39	.33	.29	.42	.35	.30	.26	.26	.23	.20	.18	.16	.15	.11	.10	.09	.06
6	.44	.35	.29	.25	.38	.31	.26	.23	.24	.20	.18	.17	.14	.13	.10	.09	.08	.05
7	.40	.32	.26	.22	.35	.28	.23	.20	.21	.18	.15	.15	.13	.11	.09	.08	.07	.05
8	.37	.28	.23	.19	.33	.25	.21	.17	.19	.16	.13	.14	.11	.10	.08	.07	.06	.04
9	.35	.26	.21	.17	.30	.23	.18	.15	.18	.14	.12	.12	.10	.09	.07	.06	.05	.03
10	.32	.24	.19	.15	.28	.21	.17	.14	.16	.13	.11	.11	.09	.08	.07	.06	.05	.03

TESTED IN ACCORDANCE WITH CURRENT IES PROCEDURES