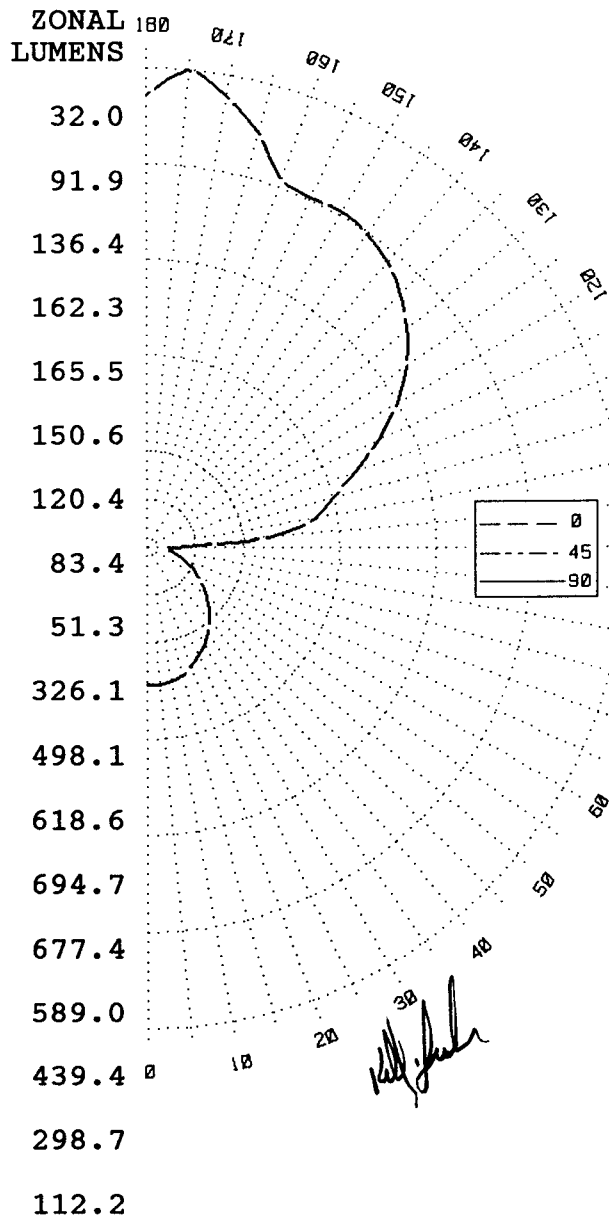


BALLABS CERTIFIED TEST REPORT NO.: 12492.0 DATE 12/07/04
 PREPARED FOR: G-LIGHTING/GROSS CHANDELIER - ST. LOUIS, MISSOURI
 DESCRIPTION: 4/26W QUAD CF 51.5"DIA PENDANT MNT LUMINAIRE
 51.5"DIA ALUMINUM RING w/45"DIA WHITE ACRYLIC BOWL
 2 UNIVERSAL BALLAST #C2642UNVSE WATTS=101
 CATALOG NBR: GL45WP-4/26QCF
 LAMP TYPE : CFQ26W/24q/835 RATED LUMENS 1800. NBR. LAMPS:- 4

CANDLEPOWER DISTRIBUTION

VERT ANG	AVERAGE CANDELA
0	336.
5	335.
10	332.
15	324.
20	310.
25	295.
30	280.
35	258.
40	237.
45	214.
50	190.
55	168.
60	144.
65	121.
70	98.
75	79.
80	62.
85	47.
90	68.
95	299.
100	418.
105	471.
110	541.
115	623.
120	707.
125	774.
130	829.
135	875.
140	913.
145	938.
150	953.
155	949.
160	962.
165	1054.
170	1123.
175	1175.
180	1111.



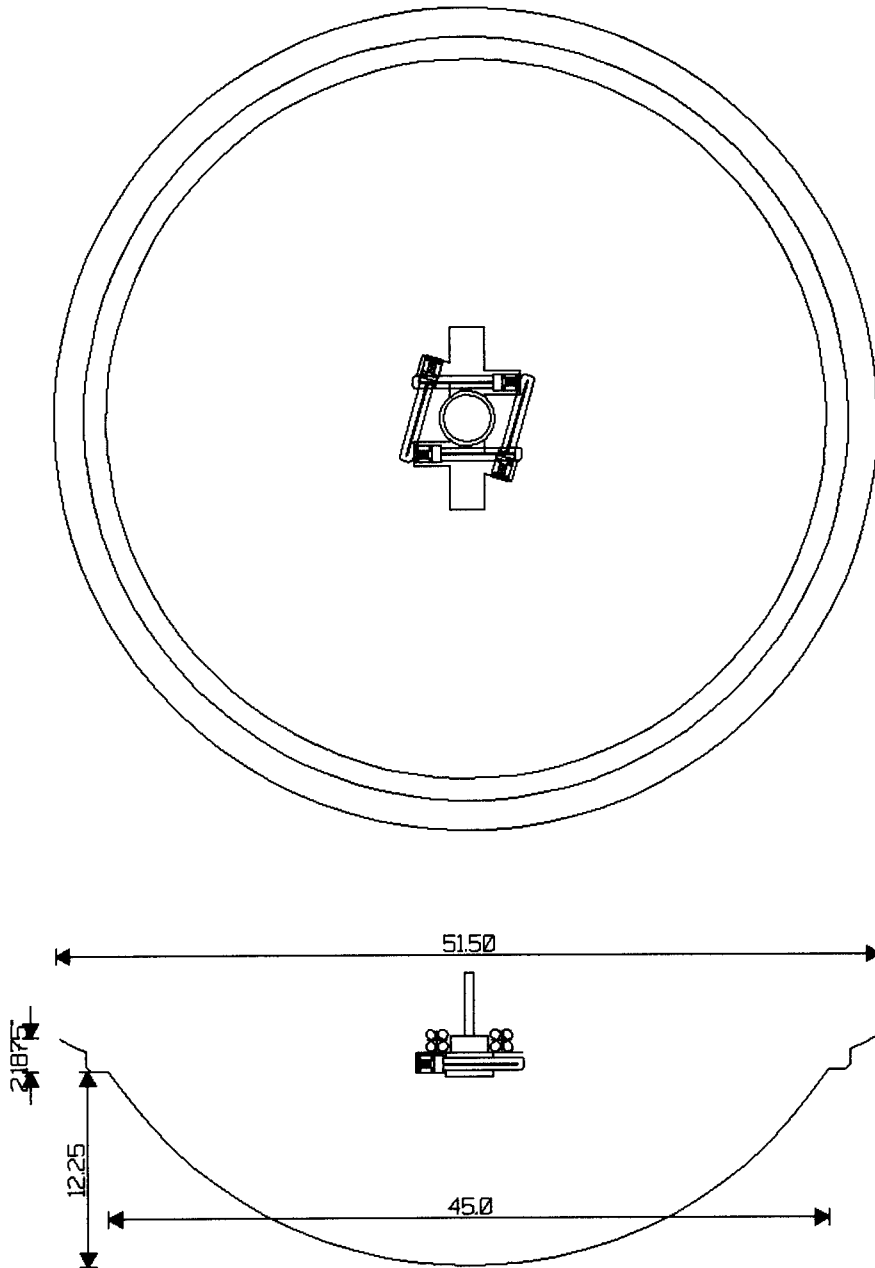
LUMEN SUMMARY

ZONE	LUMENS	%LAMP	%FIXT	ZONE	LUMENS	%LAMP	%FIXT
0- 30	260.	3.6	5.0	90-120	1443.	20.0	27.5
0- 40	423.	5.9	8.1	90-130	2138.	29.7	40.7
0- 60	739.	10.3	14.1	90-150	3404.	47.3	64.9
0- 90	994.	13.8	18.9	90-180	4254.	59.1	81.1
TOTAL LUMINAIRE =				0-180	5248.	72.9	100.0

IES SPACING CRITERIA: ADJACENT= 1.2 DIAGONAL= .9

SIGNIFICANCE OF THE TEST IS LIMITED TO THE DEGREE THAT THE TESTED SAMPLE IS REPRESENTATIVE. OTHER FACTORS AFFECT FIELD PERFORMANCE.

BALLABS CERTIFIED TEST REPORT NO.: 12492.0 DATE 12/07/04
PREPARED FOR: G-LIGHTING/GROSS CHANDELIER - ST. LOUIS, MISSOURI
DESCRIPTION: 4/26W QUAD CF 51.5"DIA PENDANT MNT LUMINAIRE
51.5"DIA ALUMINUM RING w/45"DIA WHITE ACRYLIC BOWL
2 UNIVERSAL BALLAST #C2642UNVSE WATTS=101
CATALOG NBR: GL45WP-4/26QCF
LAMP TYPE : CFQ26W/24q/835 RATED LUMENS 1800. NBR. LAMPS:- 4



BALLABS CERTIFIED TEST REPORT NO.: 12492.0 DATE 12/07/04
 PREPARED FOR: G-LIGHTING/GROSS CHANDELIER - ST. LOUIS, MISSOURI
 DESCRIPTION: 4/26W QUAD CF 51.5"DIA PENDANT MNT LUMINAIRE
 51.5"DIA ALUMINUM RING w/45"DIA WHITE ACRYLIC BOWL
 2 UNIVERSAL BALLAST #C2642UNVSE WATTS=101
 CATALOG NBR: GL45WP-4/26QCF
 LAMP TYPE : CFQ26W/24q/835 RATED LUMENS 1800. NBR. LAMPS:- 4

LUMINANCES-CD/SQ-M
 HORIZONTAL ANGLE

VERT ANGLE	0
45	221.
55	193.
65	162.
75	131.
85	107.

MAXIMUM BRIGHTNESSES NOT MEASURED

ZONAL CAVITY COEFFICIENTS OF UTILIZATION

EFFECTIVE FLOOR CAVITY REFLECTANCE=.20

CEILING	.80		.70		.50		.30		.10		.00							
WALL	.70	.50	.30	.10	.70	.50	.30	.10	.50	.30	.10	.50	.30	.10	.50	.30	.10	.00
RCR																		
0	.73	.73	.73	.73	.64	.64	.64	.64	.48	.48	.48	.34	.34	.34	.20	.20	.20	.14
1	.66	.63	.60	.58	.58	.56	.53	.51	.42	.40	.39	.29	.28	.27	.18	.17	.17	.11
2	.60	.55	.50	.47	.53	.48	.45	.42	.37	.34	.32	.26	.24	.23	.15	.15	.14	.09
3	.55	.48	.43	.39	.48	.43	.38	.35	.32	.29	.27	.23	.21	.19	.14	.13	.12	.08
4	.50	.42	.37	.33	.44	.38	.33	.29	.29	.25	.23	.20	.18	.16	.12	.11	.10	.07
5	.46	.38	.32	.28	.40	.33	.29	.25	.25	.22	.20	.18	.16	.14	.11	.10	.09	.06
6	.42	.34	.28	.24	.37	.30	.25	.22	.23	.19	.17	.16	.14	.12	.10	.09	.08	.05
7	.39	.30	.25	.21	.34	.27	.22	.19	.21	.17	.15	.14	.12	.11	.09	.08	.07	.04
8	.36	.27	.22	.18	.32	.24	.20	.17	.19	.15	.13	.13	.11	.09	.08	.07	.06	.04
9	.33	.25	.20	.16	.29	.22	.18	.15	.17	.14	.11	.12	.10	.08	.07	.06	.05	.03
10	.31	.23	.18	.15	.27	.20	.16	.13	.15	.12	.10	.11	.09	.07	.07	.05	.05	.03

TESTED IN ACCORDANCE WITH CURRENT IES PROCEDURES