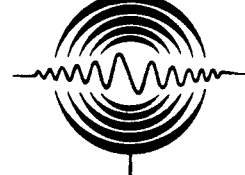


# BUILDING ACOUSTICS & LIGHTING LABORATORIES, INC.

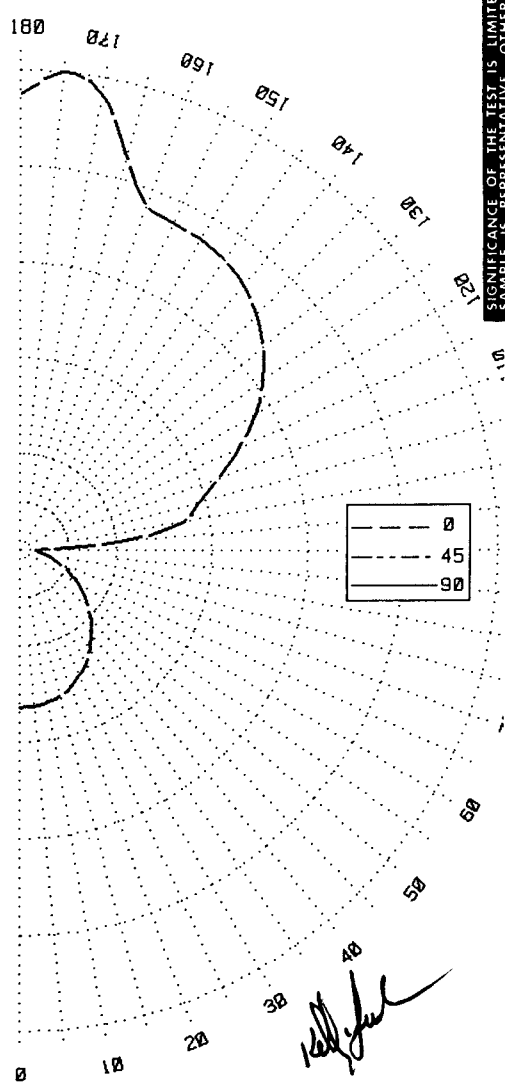
1618 HEADLAND DR.  
 FENTON, MO 63026  
 (636) - 343-6006  
 (636) - 343-6051 FAX



BALLABS CERTIFIED TEST REPORT NO.: 12493.0 DATE 12/07/04  
 PREPARED FOR: G-LIGHTING/GROSS CHANDELIER - ST. LOUIS, MISSOURI  
 DESCRIPTION: 4/26W QUAD CF 61.5"DIA PENDANT MNT LUMINAIRE  
 61.5"DIA ALUM RING w/55"DIA WHITE ACRYLIC BOWL  
 2 UNIVERSAL BALLAST #C2642UNVSE WATTS=102  
 CATALOG NBR: GL55WP-4/26QCF  
 LAMP TYPE : CFQ26W/24q/835 RATED LUMENS 1800. NBR. LAMPS:- 4

## CANDLEPOWER DISTRIBUTION

VERT ANG	AVERAGE CANDELA	ZONAL LUMENS
0	344.	
5	343.	32.7
10	339.	
15	332.	94.1
20	321.	
25	304.	140.7
30	287.	
35	266.	166.8
40	242.	
45	219.	169.2
50	193.	
55	168.	150.5
60	143.	
65	119.	118.1
70	95.	
75	74.	78.7
80	57.	
85	42.	46.0
90	34.	
95	216.	235.4
100	365.	
105	407.	430.8
110	463.	
115	531.	527.3
120	596.	
125	650.	583.4
130	696.	
135	733.	567.6
140	760.	
145	780.	489.7
150	789.	
155	793.	367.2
160	804.	
165	894.	253.5
170	1017.	
175	1052.	100.4
180	1000.	



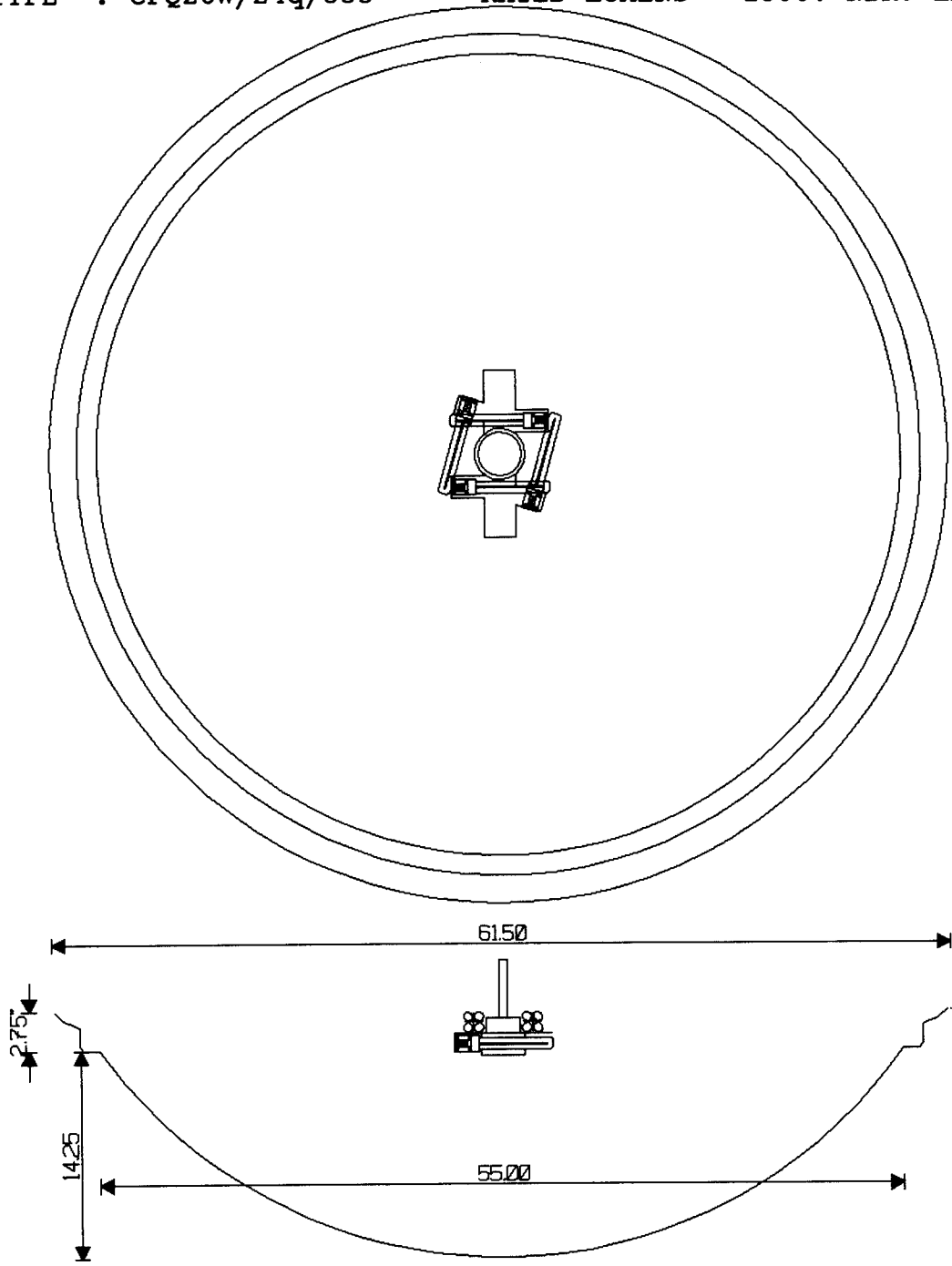
## LUMEN SUMMARY

ZONE	LUMENS	%LAMP	%FIXT	ZONE	LUMENS	%LAMP	%FIXT
0- 30	267.	3.7	5.9	90-120	1194.	16.6	26.2
0- 40	434.	6.0	9.5	90-130	1777.	24.7	39.0
0- 60	754.	10.5	16.6	90-150	2834.	39.4	62.3
0- 90	997.	13.8	21.9	90-180	3555.	49.4	78.1
TOTAL LUMINAIRE =				0-180	4552.	63.2	100.0

IES SPACING CRITERIA: ADJACENT= 1.2 DIAGONAL= .9

SIGNIFICANCE OF THE TEST IS LIMITED TO THE DEGREE THAT THE TESTED SAMPLE IS REPRESENTATIVE. OTHER FACTORS AFFECT FIELD PERFORMANCE.

BALLABS CERTIFIED TEST REPORT NO.: 12493.0 DATE 12/07/04  
PREPARED FOR: G-LIGHTING/GROSS CHANDELIER - ST. LOUIS, MISSOURI  
DESCRIPTION: 4/26W QUAD CF 61.5"DIA PENDANT MNT LUMINAIRE  
61.5"DIA ALUM RING w/55"DIA WHITE ACRYLIC BOWL  
2 UNIVERSAL BALLAST #C2642UNVSE WATTS=102  
CATALOG NBR: GL55WP-4/26QCF  
LAMP TYPE : CFQ26W/24q/835 RATED LUMENS 1800. NBR. LAMPS:- 4



BALLABS CERTIFIED TEST REPORT NO.: 12493.0 DATE 12/07/04  
 PREPARED FOR: G-LIGHTING/GROSS CHANDELIER - ST. LOUIS, MISSOURI  
 DESCRIPTION: 4/26W QUAD CF 61.5"DIA PENDANT MNT LUMINAIRE  
 61.5"DIA ALUM RING w/55"DIA WHITE ACRYLIC BOWL  
 2 UNIVERSAL BALLAST #C2642UNVSE WATTS=102  
 CATALOG NBR: GL55WP-4/26QCF  
 LAMP TYPE : CFQ26W/24q/835 RATED LUMENS 1800. NBR. LAMPS:- 4  
 \*\*\*\*\*

LUMINANCES-CD/SQ-M  
 HORIZONTAL ANGLE  
 0

VERT ANGLE	
45	153.
55	131.
65	108.
75	84.
85	66.

\*\*MAXIMUM BRIGHTNESSES NOT MEASURED\*\*

\*\*\*\*\*

ZONAL CAVITY COEFFICIENTS OF UTILIZATION

EFFECTIVE FLOOR CAVITY REFLECTANCE=.20

CEILING	.80		.70		.50		.30		.10		.00							
WALL	.70	.50	.30	.10	.70	.50	.30	.10	.50	.30	.10	.50	.30	.10	.50	.30	.10	.00
RCR																		
0	.64	.64	.64	.64	.56	.56	.56	.56	.43	.43	.43	.30	.30	.30	.19	.19	.19	.14
1	.58	.55	.53	.50	.51	.49	.47	.45	.37	.36	.35	.27	.26	.25	.17	.16	.16	.11
2	.53	.48	.44	.41	.46	.43	.39	.37	.33	.30	.29	.23	.22	.21	.15	.14	.13	.10
3	.48	.42	.38	.34	.42	.37	.34	.31	.29	.26	.24	.21	.19	.18	.13	.12	.11	.08
4	.44	.37	.32	.29	.39	.33	.29	.26	.25	.23	.20	.18	.17	.15	.12	.11	.10	.07
5	.40	.33	.28	.25	.35	.29	.25	.22	.23	.20	.17	.16	.14	.13	.10	.09	.08	.06
6	.37	.30	.25	.21	.32	.26	.22	.19	.20	.17	.15	.15	.13	.11	.09	.08	.07	.05
7	.34	.27	.22	.19	.30	.24	.20	.17	.18	.15	.13	.13	.11	.10	.08	.07	.06	.05
8	.31	.24	.19	.16	.28	.21	.17	.15	.17	.14	.12	.12	.10	.09	.08	.07	.06	.04
9	.29	.22	.17	.14	.26	.20	.16	.13	.15	.12	.10	.11	.09	.08	.07	.06	.05	.03
10	.27	.20	.16	.13	.24	.18	.14	.12	.14	.11	.09	.10	.08	.07	.06	.05	.04	.03

TESTED IN ACCORDANCE WITH CURRENT IES PROCEDURES