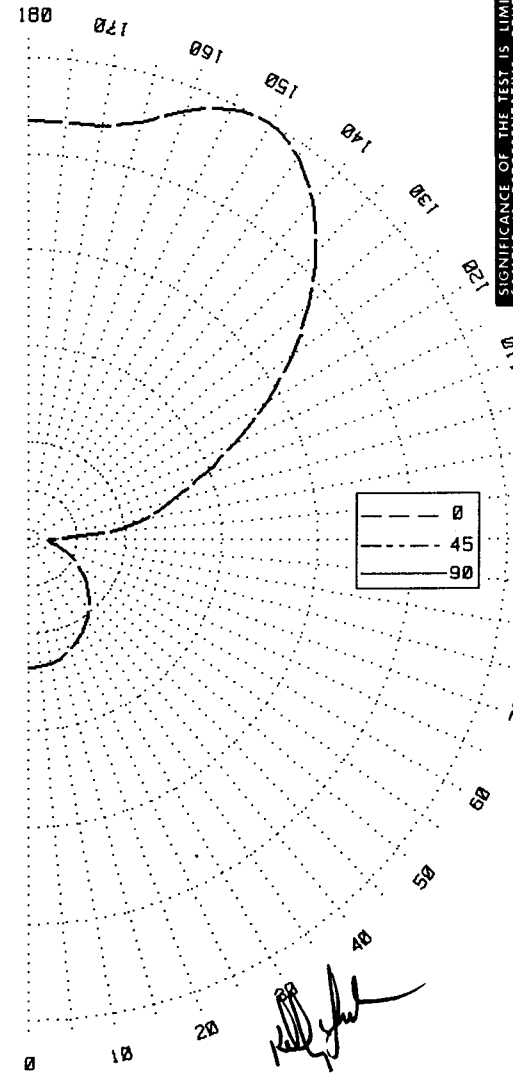


BALLABS CERTIFIED TEST REPORT NO.: 12496.0 DATE 12/10/04  
 PREPARED FOR: G-LIGHTING/GROSS CHANDELIER - ST. LOUIS, MISSOURI  
 DESCRIPTION: 4/39W BIAx CF 35.5"DIA PENDANT MNT LUMINAIRE  
 35.5"DIA ALUMINUM RING w/30"DIA WHITE ACRYLIC BOWL  
 2 UNIVERSAL BALLAST #C2642UNVSE WATTS=124 REFL=90%  
 CATALOG NBR: GL30WP-4/39BX  
 LAMP TYPE : CFT39W/2G11/835 RATED LUMENS 2850. NBR. LAMPS:- 4

### CANDLEPOWER DISTRIBUTION

| VERT ANG | AVERAGE CANDELA | ZONAL LUMENS |
|----------|-----------------|--------------|
| 0        | 664.            |              |
| 5        | 663.            | 63.3         |
| 10       | 653.            |              |
| 15       | 640.            | 181.3        |
| 20       | 617.            |              |
| 25       | 590.            | 272.9        |
| 30       | 561.            |              |
| 35       | 524.            | 329.0        |
| 40       | 482.            |              |
| 45       | 439.            | 340.0        |
| 50       | 396.            |              |
| 55       | 349.            | 313.4        |
| 60       | 304.            |              |
| 65       | 257.            | 254.9        |
| 70       | 212.            |              |
| 75       | 175.            | 185.1        |
| 80       | 139.            |              |
| 85       | 104.            | 113.9        |
| 90       | 116.            |              |
| 95       | 392.            | 427.6        |
| 100      | 607.            |              |
| 105      | 746.            | 789.6        |
| 110      | 938.            |              |
| 115      | 1162.           | 1153.8       |
| 120      | 1410.           |              |
| 125      | 1653.           | 1482.9       |
| 130      | 1878.           |              |
| 135      | 2087.           | 1616.6       |
| 140      | 2272.           |              |
| 145      | 2404.           | 1510.4       |
| 150      | 2474.           |              |
| 155      | 2448.           | 1133.1       |
| 160      | 2355.           |              |
| 165      | 2229.           | 631.8        |
| 170      | 2166.           |              |
| 175      | 2155.           | 205.7        |
| 180      | 2156.           |              |

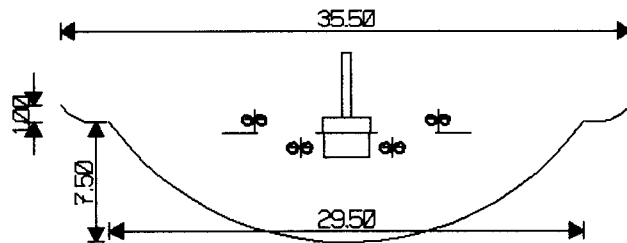
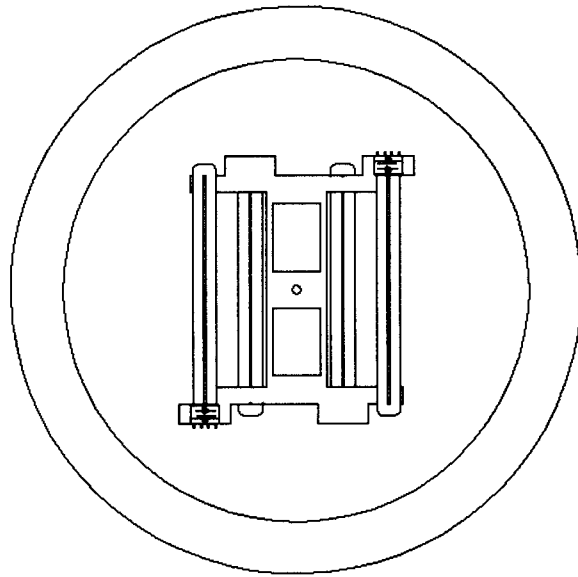


### LUMEN SUMMARY

| ZONE                                | LUMENS | %LAMP | %FIXT | ZONE      | LUMENS | %LAMP | %FIXT |
|-------------------------------------|--------|-------|-------|-----------|--------|-------|-------|
| 0- 30                               | 517.   | 4.5   | 4.7   | 90-120    | 2371.  | 20.8  | 21.5  |
| 0- 40                               | 846.   | 7.4   | 7.7   | 90-130    | 3854.  | 33.8  | 35.0  |
| 0- 60                               | 1500.  | 13.2  | 13.6  | 90-150    | 6981.  | 61.2  | 63.4  |
| 0- 90                               | 2054.  | 18.0  | 18.7  | 90-180    | 8951.  | 78.5  | 81.3  |
| TOTAL LUMINAIRE =                   |        |       |       | 0-180     | 11005. | 96.5  | 100.0 |
| IES SPACING CRITERIA: ADJACENT= 1.3 |        |       |       | DIAGONAL= | .9     |       |       |

SIGNIFICANCE OF THE TEST IS LIMITED TO THE DEGREE THAT THE TESTED SAMPLE IS REPRESENTATIVE OF OTHER FACTORS AFFECT FIELD PERFORMANCE.

BALLABS CERTIFIED TEST REPORT NO.: 12496.0 DATE 12/10/04  
PREPARED FOR: G-LIGHTING/GROSS CHANDELIER - ST. LOUIS, MISSOURI  
DESCRIPTION: 4/39W BIAX CF 35.5"DIA PENDANT MNT LUMINAIRE  
35.5"DIA ALUMINUM RING w/30"DIA WHITE ACRYLIC BOWL  
2 UNIVERSAL BALLAST #C2642UNVSE WATTS=124 REFL=90%  
CATALOG NBR: GL30WP-4/39BX  
LAMP TYPE : CFT39W/2G11/835 RATED LUMENS 2850. NBR. LAMPS:- 4



BALLABS CERTIFIED TEST REPORT NO.: 12496.0 DATE 12/10/04  
 PREPARED FOR: G-LIGHTING/GROSS CHANDELIER - ST. LOUIS, MISSOURI  
 DESCRIPTION: 4/39W BIAX CF 35.5"DIA PENDANT MNT LUMINAIRE  
 35.5"DIA ALUMINUM RING w/30"DIA WHITE ACRYLIC BOWL  
 2 UNIVERSAL BALLAST #C2642UNVSE WATTS=124 REFL=90%  
 CATALOG NBR: GL30WP-4/39BX  
 LAMP TYPE : CFT39W/2G11/835 RATED LUMENS 2850. NBR. LAMPS:- 4  
 \*\*\*\*\*

LUMINANCES-CD/SQ-M  
 HORIZONTAL ANGLE  
 0

| VERT<br>ANGLE | 0     |
|---------------|-------|
| 45            | 1055. |
| 55            | 937.  |
| 65            | 807.  |
| 75            | 689.  |
| 85            | 573.  |

\*\*MAXIMUM BRIGHTNESSES NOT MEASURED\*\*

\*\*\*\*\*

ZONAL CAVITY COEFFICIENTS OF UTILIZATION

EFFECTIVE FLOOR CAVITY REFLECTANCE=.20

| CEILING | .80 | .70 | .50 | .30 | .10 | .00 |     |     |     |     |     |     |     |     |     |     |     |     |
|---------|-----|-----|-----|-----|-----|-----|-----|-----|-----|-----|-----|-----|-----|-----|-----|-----|-----|-----|
| WALL    | .70 | .50 | .30 | .10 | .70 | .50 | .30 | .10 | .50 | .30 | .10 | .50 | .30 | .10 | .50 | .30 | .10 | .00 |
| RCR     |     |     |     |     |     |     |     |     |     |     |     |     |     |     |     |     |     |     |
| 0       | .96 | .96 | .96 | .96 | .85 | .85 | .85 | .85 | .64 | .64 | .64 | .44 | .44 | .44 | .26 | .26 | .26 | .18 |
| 1       | .87 | .83 | .79 | .76 | .77 | .73 | .70 | .68 | .55 | .53 | .51 | .38 | .37 | .36 | .23 | .22 | .22 | .15 |
| 2       | .79 | .72 | .67 | .62 | .70 | .64 | .59 | .55 | .48 | .45 | .42 | .34 | .32 | .30 | .20 | .19 | .18 | .12 |
| 3       | .72 | .64 | .57 | .51 | .63 | .56 | .51 | .46 | .42 | .39 | .35 | .30 | .27 | .25 | .18 | .17 | .15 | .10 |
| 4       | .66 | .56 | .49 | .43 | .58 | .50 | .44 | .39 | .38 | .33 | .30 | .26 | .24 | .22 | .16 | .14 | .13 | .09 |
| 5       | .60 | .50 | .42 | .37 | .53 | .44 | .38 | .33 | .33 | .29 | .26 | .23 | .21 | .18 | .14 | .13 | .11 | .07 |
| 6       | .56 | .45 | .37 | .32 | .49 | .39 | .33 | .29 | .30 | .25 | .22 | .21 | .18 | .16 | .13 | .11 | .10 | .06 |
| 7       | .51 | .40 | .33 | .28 | .45 | .36 | .29 | .25 | .27 | .23 | .19 | .19 | .16 | .14 | .11 | .10 | .09 | .06 |
| 8       | .47 | .36 | .29 | .24 | .42 | .32 | .26 | .22 | .24 | .20 | .17 | .17 | .14 | .12 | .10 | .09 | .08 | .05 |
| 9       | .44 | .33 | .26 | .21 | .39 | .29 | .23 | .19 | .22 | .18 | .15 | .16 | .13 | .11 | .09 | .08 | .07 | .04 |
| 10      | .41 | .30 | .24 | .19 | .36 | .27 | .21 | .17 | .20 | .16 | .13 | .14 | .12 | .10 | .09 | .07 | .06 | .04 |

TESTED IN ACCORDANCE WITH CURRENT IES PROCEDURES