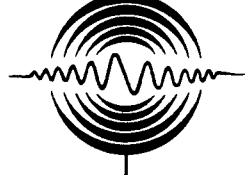


# BUILDING ACOUSTICS & LIGHTING LABORATORIES, INC.

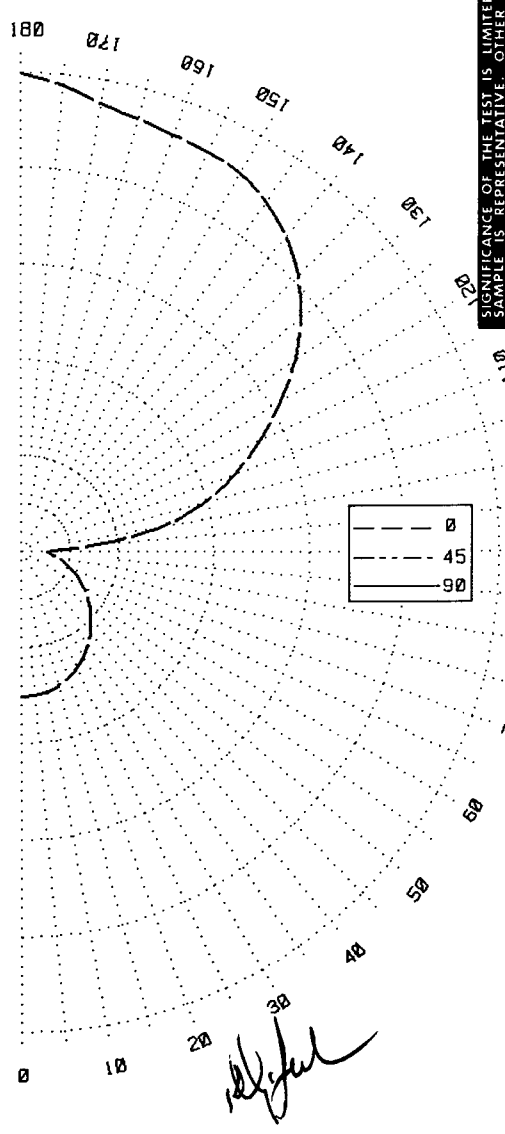
1618 HEADLAND DR.  
 FENTON, MO 63026  
 (636) - 343-6006  
 (636) - 343-6051 FAX



BALLABS CERTIFIED TEST REPORT NO.: 12498.0 DATE 12/13/04  
 PREPARED FOR: G-LIGHTING/GROSS CHANDELIER - ST. LOUIS, MISSOURI  
 DESCRIPTION: 10/50W BIAX CF 61.5"DIA PENDANT MNT LUMINAIRE  
 61.5"DIA ALUMINUM RING w/55"DIA WHITE ACRYLIC BOWL  
 5 AC ELECTRONICS BALLAST #TSD-155PS WATTS=550 REFL=90%  
 CATALOG NBR: GL55WP-10/50BX  
 LAMP TYPE : CFT50w/2G11/835 RATED LUMENS 4000. NBR. LAMPS:- 10

## CANDLEPOWER DISTRIBUTION

VERT ANG	AVERAGE CANDELA	ZONAL LUMENS
0	2165.	205.6
5	2154.	589.6
10	2126.	893.6
15	2080.	1077.4
20	2015.	1134.3
25	1931.	1071.8
30	1829.	921.1
35	1715.	701.4
40	1594.	479.8
45	1465.	1119.2
50	1332.	2964.4
55	1195.	3921.0
60	1059.	4500.4
65	928.	4541.8
70	791.	4021.2
75	663.	3064.2
80	548.	1908.8
85	440.	672.1
90	365.	
95	1026.	
100	2093.	
105	2802.	
110	3421.	
115	3950.	
120	4492.	
125	5016.	
130	5480.	
135	5865.	
140	6178.	
145	6401.	
150	6555.	
155	6620.	
160	6667.	
165	6734.	
170	6838.	
175	7041.	
180	7196.	



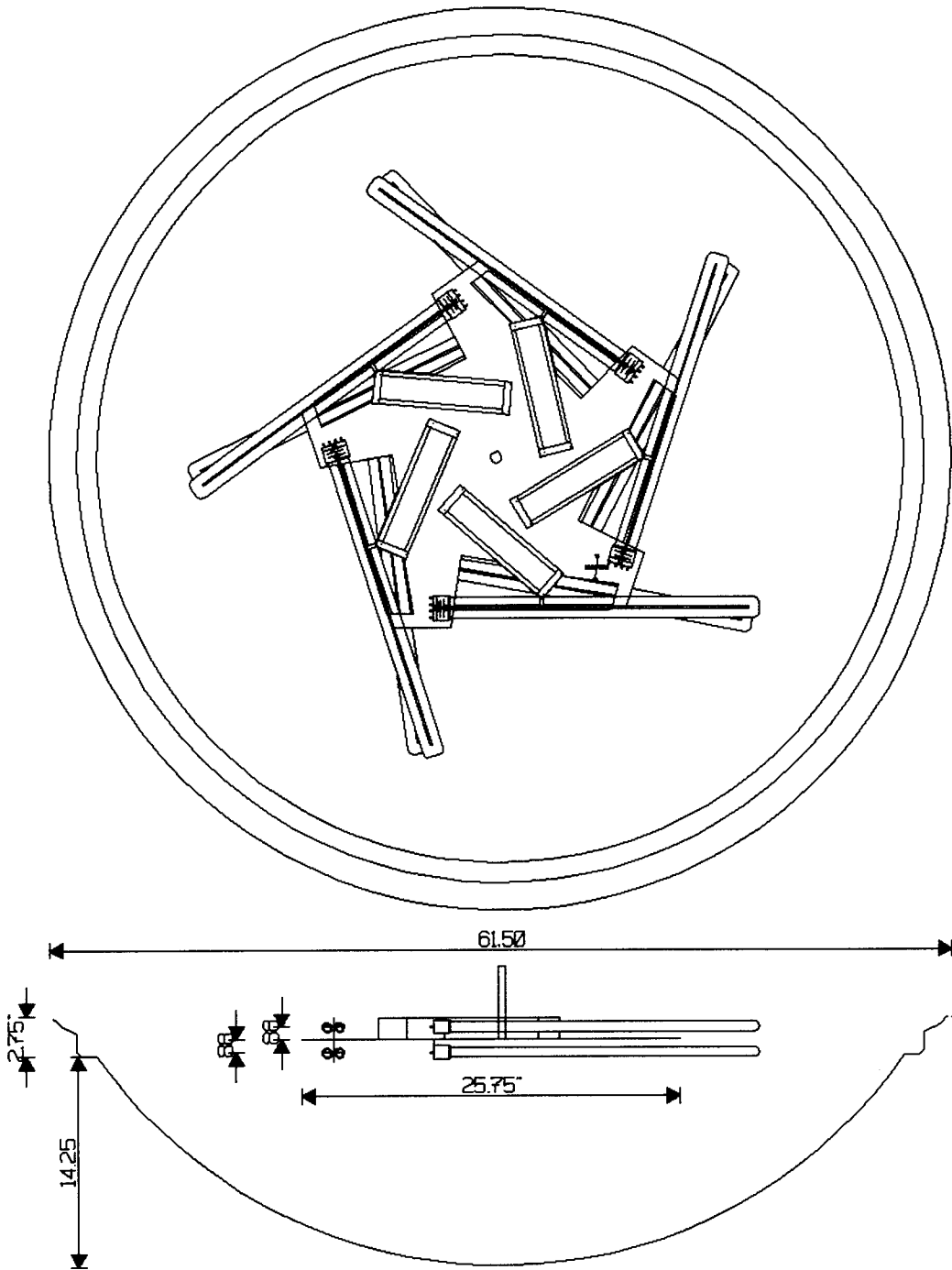
## LUMEN SUMMARY

ZONE	LUMENS	%LAMP	%FIXT	ZONE	LUMENS	%LAMP	%FIXT
0- 30	1689.	4.2	5.0	90-120	8005.	20.0	23.7
0- 40	2766.	6.9	8.2	90-130	12505.	31.3	37.0
0- 60	4972.	12.4	14.7	90-150	21068.	52.7	62.4
0- 90	7075.	17.7	20.9	90-180	26713.	66.8	79.1
TOTAL LUMINAIRE =				0-180	33788.	84.5	100.0

IES SPACING CRITERIA: ADJACENT= 1.3 DIAGONAL= .9

SIGNIFICANCE OF THE TEST IS LIMITED TO THE DEGREE THAT THE TESTED SAMPLE IS REPRESENTATIVE. OTHER FACTORS AFFECT FIELD PERFORMANCE.

BALLABS CERTIFIED TEST REPORT NO.: 12498.0 DATE 12/13/04  
PREPARED FOR: G-LIGHTING/GROSS CHANDELIER - ST. LOUIS, MISSOURI  
DESCRIPTION: 10/50W BIAX CF 61.5"DIA PENDANT MNT LUMINAIRE  
61.5"DIA ALUMINUM RING w/55"DIA WHITE ACRYLIC BOWL  
5 AC ELECTRONICS BALLAST #TSD-155PS WATTS=550 REFL=90%  
CATALOG NBR: GL55WP-10/50BX  
LAMP TYPE : CFT50w/2G11/835 RATED LUMENS 4000. NBR. LAMPS:- 10



BALLABS CERTIFIED TEST REPORT NO.: 12498.0 DATE 12/13/04  
 PREPARED FOR: G-LIGHTING/GROSS CHANDELIER - ST. LOUIS, MISSOURI  
 DESCRIPTION: 10/50W BIAX CF 61.5"DIA PENDANT MNT LUMINAIRE  
 61.5"DIA ALUMINUM RING w/55"DIA WHITE ACRYLIC BOWL  
 5 AC ELECTRONICS BALLAST #TSD-155PS WATTS=550 REFL=90%  
 CATALOG NBR: GL55WP-10/50BX  
 LAMP TYPE : CFT50w/2G11/835 RATED LUMENS 4000. NBR. LAMPS:- 10  
 \*\*\*\*\*

LUMINANCES-CD/SQ-M  
 HORIZONTAL ANGLE  
 0

VERT ANGLE	LUMINANCES-CD/SQ-M
45	1025.
55	931.
65	845.
75	753.
85	692.

\*\*MAXIMUM BRIGHTNESSES NOT MEASURED\*\*

\*\*\*\*\*

ZONAL CAVITY COEFFICIENTS OF UTILIZATION  
 EFFECTIVE FLOOR CAVITY REFLECTANCE=.20

CEILING	.80	.70	.50	.30	.10	.00												
WALL	.70	.50	.30	.10	.70	.50	.30	.10	.50	.30	.10	.50	.30	.10	.50	.30	.10	.00
RCR																		
0	.85	.85	.85	.85	.75	.75	.75	.75	.57	.57	.57	.40	.40	.40	.25	.25	.25	.18
1	.77	.73	.70	.67	.68	.65	.62	.59	.49	.47	.46	.35	.34	.33	.21	.21	.20	.14
2	.70	.63	.58	.54	.61	.56	.52	.48	.43	.40	.37	.30	.28	.27	.19	.18	.17	.12
3	.63	.56	.50	.45	.56	.49	.44	.40	.38	.34	.31	.27	.24	.23	.16	.15	.14	.10
4	.58	.49	.43	.38	.51	.44	.38	.34	.33	.29	.26	.24	.21	.19	.15	.13	.12	.08
5	.53	.44	.37	.32	.47	.39	.33	.29	.30	.26	.23	.21	.18	.16	.13	.12	.10	.07
6	.49	.39	.32	.28	.43	.35	.29	.25	.26	.22	.20	.19	.16	.14	.12	.10	.09	.06
7	.45	.35	.29	.24	.40	.31	.26	.22	.24	.20	.17	.17	.14	.12	.11	.09	.08	.05
8	.42	.32	.25	.21	.37	.28	.23	.19	.22	.18	.15	.15	.13	.11	.10	.08	.07	.05
9	.39	.29	.23	.19	.34	.26	.20	.17	.20	.16	.13	.14	.11	.10	.09	.07	.06	.04
10	.36	.26	.21	.17	.32	.23	.18	.15	.18	.14	.12	.13	.10	.09	.08	.06	.05	.03

TESTED IN ACCORDANCE WITH CURRENT IES PROCEDURES