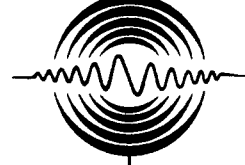


BUILDING ACOUSTICS & LIGHTING LABORATORIES, INC.

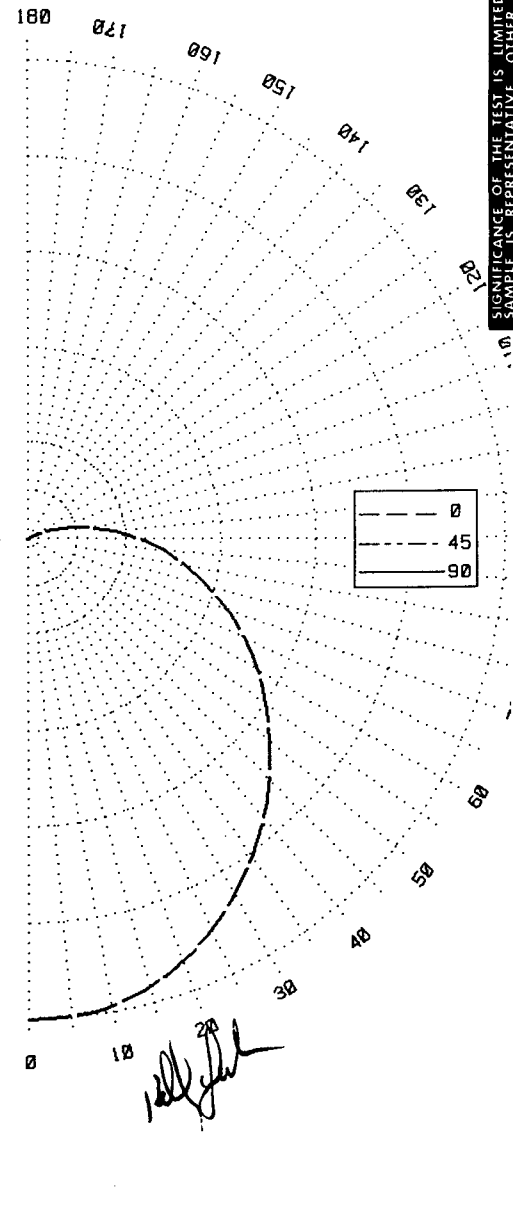
1618 HEADLAND DR.
 FENTON, MO 63026
 (636) - 343-6006
 (636) - 343-6051 FAX



BALLABS CERTIFIED TEST REPORT NO.: 12499.0 DATE 12/22/04
 PREPARED FOR: G-LIGHTING/GROSS CHANDELIER - ST. LOUIS, MISSOURI
 DESCRIPTION: 4/26W QUAD CF LAMP 22.5"DIA FLUSH MOUNT LUMINAIRE
 22.5"DIA STEEL RING w/18"DIA WHITE ACRYLIC BOWL
 2 UNIVERSAL BALLAST #C2642UNVSE WATTS=87 REFL=90%
 CATALOG NBR: GL18WF-4/26WQCF
 LAMP TYPE : CFQ26W/24q/835 RATED LUMENS 1800. NBR. LAMPS:- 4

CANDLEPOWER DISTRIBUTION

VERT ANG	AVERAGE CANDELA	ZONAL LUMENS
0	657.	62.5
5	655.	179.6
10	648.	273.2
15	634.	334.7
20	614.	361.2
25	590.	355.9
30	562.	323.0
35	533.	267.9
40	501.	203.9
45	466.	130.4
50	431.	63.9
55	397.	17.7
60	364.	0.
65	325.	0.
70	290.	0.
75	253.	0.
80	220.	0.
85	187.	0.
90	152.	0.
95	120.	0.
100	88.	0.
105	60.	0.
110	35.	0.
115	18.	0.
120	0.	0.
125	0.	0.
130	0.	0.
135	0.	0.
140	0.	0.
145	0.	0.
150	0.	0.
155	0.	0.
160	0.	0.
165	0.	0.
170	0.	0.
175	0.	0.
180	0.	0.



LUMEN SUMMARY

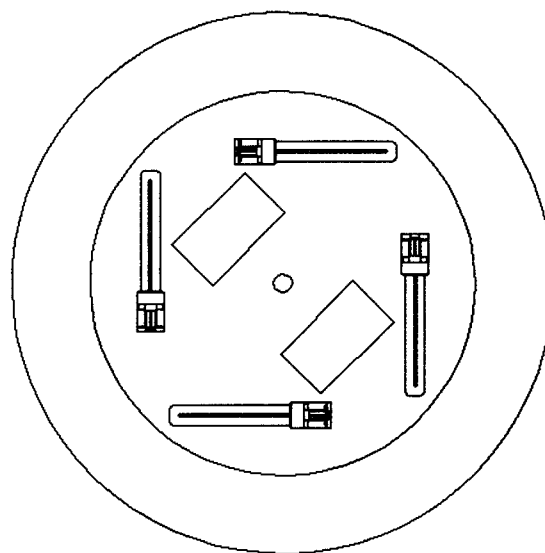
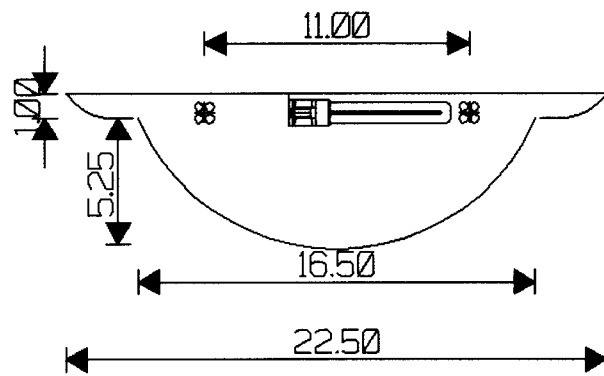
ZONE	LUMENS	%LAMP	%FIXT	ZONE	LUMENS	%LAMP	%FIXT
0- 30	515.	7.2	20.0	90-120	212.	2.9	8.2
0- 40	850.	11.8	33.0	90-130	212.	2.9	8.2
0- 60	1567.	21.8	60.9	90-150	212.	2.9	8.2
0- 90	2362.	32.8	91.8	90-180	212.	2.9	8.2
TOTAL LUMINAIRE =				0-180	2574.	35.7	100.0

IES SPACING CRITERIA: ADJACENT= 1.3

DIAGONAL= .9

SIGNIFICANCE OF THE TEST IS LIMITED TO THE DEGREE THAT THE TESTED SAMPLE IS REPRESENTATIVE. OTHER FACTORS AFFECT FIELD PERFORMANCE.

BALLABS CERTIFIED TEST REPORT NO.: 12499.0 DATE 12/22/04
PREPARED FOR: G-LIGHTING/GROSS CHANDELIER - ST. LOUIS, MISSOURI
DESCRIPTION: 4/26W QUAD CF LAMP 22.5"DIA FLUSH MOUNT LUMINAIRE
22.5"DIA STEEL RING w/18"DIA WHITE ACRYLIC BOWL
2 UNIVERSAL BALLAST #C2642UNVSE WATTS=87 REFL=90%
CATALOG NBR: GL18WF-4/26WQCF
LAMP TYPE : CFQ26W/24q/835 RATED LUMENS 1800. NBR. LAMPS:- 4



BALLABS CERTIFIED TEST REPORT NO.: 12499.0 DATE 12/22/04
 PREPARED FOR: G-LIGHTING/GROSS CHANDELIER - ST. LOUIS, MISSOURI
 DESCRIPTION: 4/26W QUAD CF LAMP 22.5"DIA FLUSH MOUNT LUMINAIRE
 22.5"DIA STEEL RING w/18"DIA WHITE ACRYLIC BOWL
 2 UNIVERSAL BALLAST #C2642UNVSE WATTS=87 REFL=90%

CATALOG NBR: GL18WF-4/26WQCF
 LAMP TYPE : CFQ26W/24q/835 RATED LUMENS 1800. NBR. LAMPS:- 4

LUMINANCES-CD/SQ-M
 HORIZONTAL ANGLE

VERT ANGLE	HORIZONTAL ANGLE
	0
45	1967.
55	1879.
65	1819.
75	1795.
85	1887.

MAXIMUM BRIGHTNESSES NOT MEASURED

ZONAL CAVITY COEFFICIENTS OF UTILIZATION

EFFECTIVE FLOOR CAVITY REFLECTANCE=.20

CEILING	.80		.70		.50		.30		.10		.00							
WALL	.70	.50	.30	.10	.70	.50	.30	.10	.50	.30	.10	.50	.30	.10	.50	.30	.10	.00
RCR																		
0	.42	.42	.42	.42	.41	.41	.41	.41	.38	.38	.38	.36	.36	.36	.34	.34	.34	.33
1	.37	.35	.33	.32	.36	.34	.33	.31	.32	.31	.29	.30	.29	.28	.28	.28	.27	.26
2	.34	.30	.28	.25	.32	.29	.27	.25	.28	.26	.24	.26	.24	.23	.24	.23	.22	.21
3	.31	.27	.23	.21	.29	.26	.23	.20	.24	.22	.20	.23	.21	.19	.22	.20	.18	.17
4	.28	.23	.20	.17	.27	.23	.20	.17	.21	.19	.17	.20	.18	.16	.19	.17	.16	.15
5	.25	.21	.17	.15	.24	.20	.17	.14	.19	.16	.14	.18	.15	.14	.17	.15	.13	.12
6	.23	.18	.15	.13	.22	.18	.15	.12	.17	.14	.12	.16	.14	.12	.15	.13	.11	.10
7	.21	.16	.13	.11	.21	.16	.13	.11	.15	.12	.10	.14	.12	.10	.14	.11	.10	.09
8	.20	.15	.12	.09	.19	.14	.11	.09	.14	.11	.09	.13	.10	.09	.12	.10	.08	.08
9	.18	.13	.10	.08	.18	.13	.10	.08	.12	.10	.08	.12	.09	.08	.11	.09	.07	.07
10	.17	.12	.09	.07	.16	.12	.09	.07	.11	.09	.07	.11	.08	.07	.10	.08	.06	.06

TESTED IN ACCORDANCE WITH CURRENT IES PROCEDURES