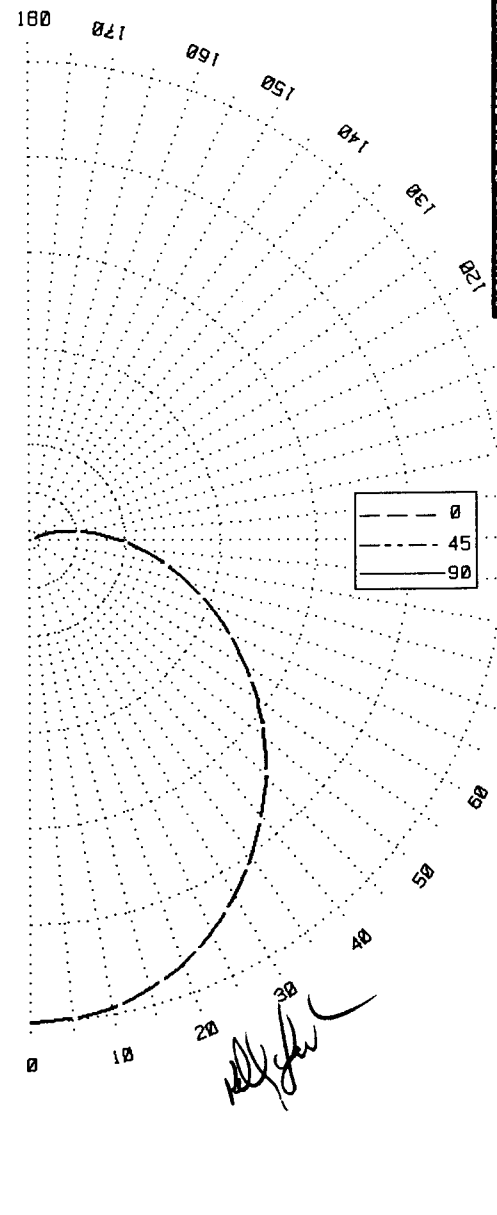


BALLABS CERTIFIED TEST REPORT NO.: 12500.0 DATE 12/22/04
 PREPARED FOR: G-LIGHTING/GROSS CHANDELIER - ST. LOUIS, MISSOURI
 DESCRIPTION: 4/26W QUAD CF LAMP 29.75"DIA FLUSH MOUNT LUMINAIRE
 29.75"DIA STEEL RING w/24"DIA WHITE ACRYLIC BOWL
 2 UNIVERSAL BALLAST #C2642UNVSE WATTS=89 REFL=90%
 CATALOG NBR: GL24WF-4/26QCF
 LAMP TYPE : CFQ26W/24q/835 RATED LUMENS 1800. NBR. LAMPS:- 4

CANDLEPOWER DISTRIBUTION

VERT ANG	AVERAGE CANDELA	ZONAL LUMENS
0	932.	88.5
5	928.	254.6
10	918.	388.4
15	898.	472.5
20	873.	504.8
25	839.	487.3
30	798.	429.1
35	752.	341.0
40	702.	245.5
45	652.	150.3
50	597.	71.9
55	543.	21.0
60	487.	0.
65	432.	0.
70	377.	0.
75	322.	0.
80	273.	0.
85	225.	0.
90	179.	0.
95	138.	0.
100	100.	0.
105	68.	0.
110	42.	0.
115	21.	0.
120	0.	0.
125	0.	0.
130	0.	0.
135	0.	0.
140	0.	0.
145	0.	0.
150	0.	0.
155	0.	0.
160	0.	0.
165	0.	0.
170	0.	0.
175	0.	0.
180	0.	0.



LUMEN SUMMARY

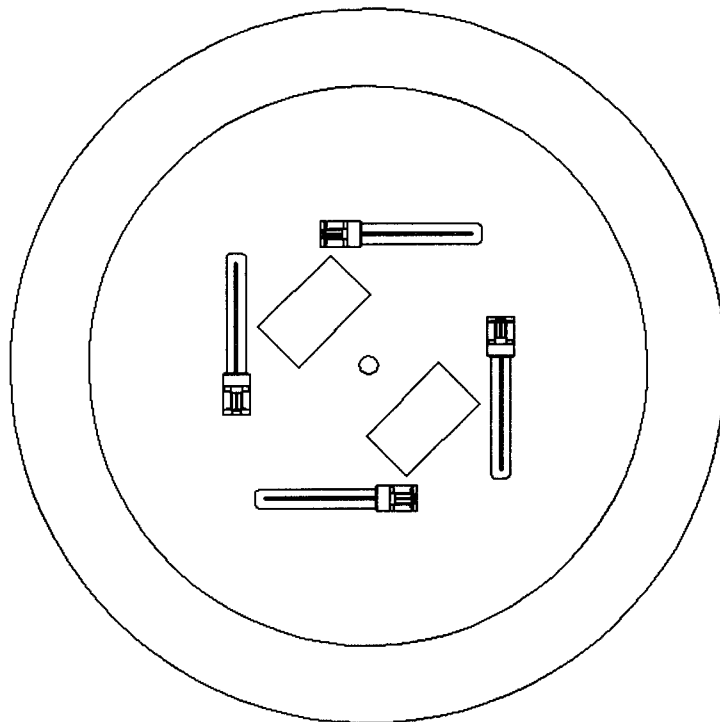
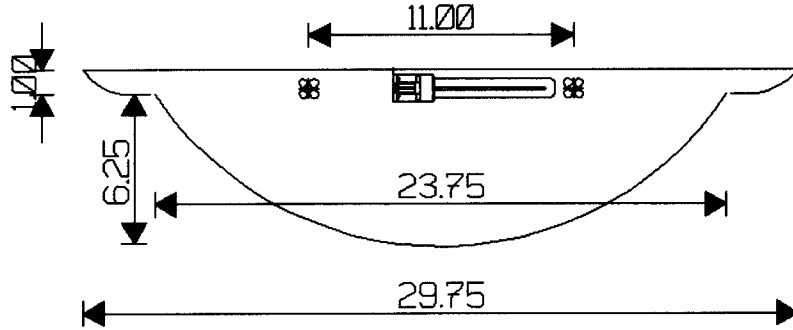
ZONE	LUMENS	%LAMP	%FIXT	ZONE	LUMENS	%LAMP	%FIXT
0- 30	731.	10.2	21.2	90-120	243.	3.4	7.0
0- 40	1204.	16.7	34.8	90-130	243.	3.4	7.0
0- 60	2196.	30.5	63.6	90-150	243.	3.4	7.0
0- 90	3212.	44.6	93.0	90-180	243.	3.4	7.0
TOTAL LUMINAIRE =				0-180	3455.	48.0	100.0

IES SPACING CRITERIA: ADJACENT= 1.3 DIAGONAL= .9

SIGNIFICANCE OF THE TEST IS LIMITED TO THE DEGREE THAT THE TESTED SAMPLE IS REPRESENTATIVE. OTHER FACTORS AFFECT FIELD PERFORMANCE.

BALLABS CERTIFIED TEST REPORT NO.: 12500.0 DATE 12/22/04
PREPARED FOR: G-LIGHTING/GROSS CHANDELIER - ST. LOUIS, MISSOURI
DESCRIPTION: 4/26W QUAD CF LAMP 29.75"DIA FLUSH MOUNT LUMINAIRE
29.75"DIA STEEL RING w/24"DIA WHITE ACRYLIC BOWL
2 UNIVERSAL BALLAST #C2642UNVSE WATTS=89 REFL=90%
CATALOG NBR: GL24WF-4/26QCF
LAMP TYPE : CFQ26W/24q/835

RATED LUMENS 1800. NBR. LAMPS:- 4



BALLABS CERTIFIED TEST REPORT NO.: 12500.0 DATE 12/22/04
 PREPARED FOR: G-LIGHTING/GROSS CHANDELIER - ST. LOUIS, MISSOURI
 DESCRIPTION: 4/26W QUAD CF LAMP 29.75"DIA FLUSH MOUNT LUMINAIRE
 29.75"DIA STEEL RING w/24"DIA WHITE ACRYLIC BOWL
 2 UNIVERSAL BALLAST #C2642UNVSE WATTS=89 REFL=90%

CATALOG NBR: GL24WF-4/26QCF
 LAMP TYPE : CFQ26W/24q/835 RATED LUMENS 1800. NBR. LAMPS:- 4

LUMINANCES-CD/SQ-M
 HORIZONTAL ANGLE

VERT ANGLE	0
45	2331.
55	2157.
65	1999.
75	1852.
85	1776.

MAXIMUM BRIGHTNESSES NOT MEASURED

ZONAL CAVITY COEFFICIENTS OF UTILIZATION

EFFECTIVE FLOOR CAVITY REFLECTANCE=.20

CEILING	.80		.70		.50		.30		.10		.00							
WALL	.70	.50	.30	.10	.70	.50	.30	.10	.50	.30	.10	.50	.30	.10	.50	.30	.10	.00
RCR																		
0	.56	.56	.56	.56	.55	.55	.55	.55	.51	.51	.51	.49	.49	.49	.46	.46	.46	.45
1	.51	.48	.45	.43	.49	.46	.44	.42	.44	.42	.40	.41	.40	.38	.39	.38	.37	.35
2	.46	.41	.38	.35	.44	.40	.37	.34	.38	.35	.33	.36	.33	.31	.34	.32	.30	.29
3	.42	.36	.32	.29	.40	.35	.31	.28	.33	.30	.27	.31	.29	.26	.30	.27	.25	.24
4	.38	.32	.27	.24	.37	.31	.27	.24	.29	.26	.23	.28	.25	.22	.26	.24	.22	.21
5	.35	.28	.24	.20	.33	.27	.23	.20	.26	.22	.19	.25	.21	.19	.23	.21	.18	.17
6	.32	.25	.21	.17	.31	.24	.20	.17	.23	.19	.17	.22	.19	.16	.21	.18	.16	.15
7	.29	.22	.18	.15	.28	.22	.18	.15	.21	.17	.14	.20	.17	.14	.19	.16	.14	.13
8	.27	.20	.16	.13	.26	.20	.16	.13	.19	.15	.13	.18	.15	.12	.17	.14	.12	.11
9	.25	.18	.14	.11	.24	.18	.14	.11	.17	.13	.11	.16	.13	.11	.15	.12	.10	.09
10	.23	.16	.12	.10	.22	.16	.12	.10	.15	.12	.10	.15	.12	.09	.14	.11	.09	.08

TESTED IN ACCORDANCE WITH CURRENT IES PROCEDURES