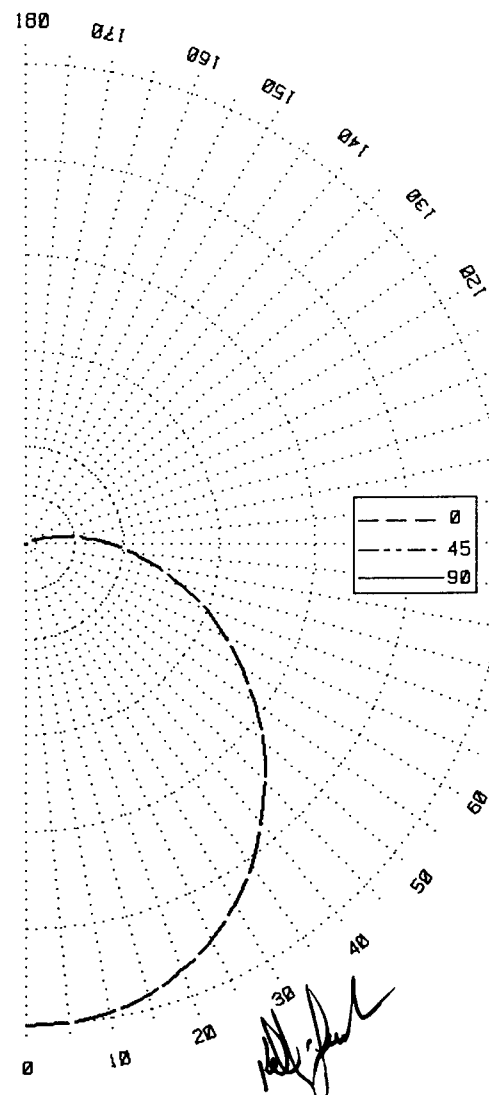


BALLABS CERTIFIED TEST REPORT NO.: 12502.0 DATE 12/27/04
 PREPARED FOR: G-LIGHTING/GROSS CHANDELIER - ST. LOUIS, MISSOURI
 DESCRIPTION: 4/26W QUAD CF LAMP 35.5"DIA FLUSH MOUNT LUMINAIRE
 35.5"DIA STEEL RING w/30"DIA SATIN WHITE ACRYLIC BOWL
 2 UNIVERSAL BALLAST #C2642UNVSE WATTS=91 REFL=90%
 CATALOG NBR: GL30SF-4/26QCF
 LAMP TYPE : CFQ26W/24q/835 RATED LUMENS 1800. NBR. LAMPS:- 4

CANDLEPOWER DISTRIBUTION

VERT ANG	AVERAGE CANDELA	ZONAL LUMENS
0	902.	85.9
5	900.	247.7
10	891.	379.1
15	874.	462.4
20	849.	490.2
25	819.	470.4
30	780.	407.6
35	736.	318.7
40	683.	221.3
45	633.	131.5
50	581.	58.3
55	524.	14.3
60	467.	.0
65	411.	.0
70	359.	.0
75	301.	.0
80	249.	.0
85	203.	.0
90	161.	.0
95	121.	.0
100	86.	.0
105	55.	.0
110	31.	.0
115	14.	.0
120	0.	.0
125	0.	.0
130	0.	.0
135	0.	.0
140	0.	.0
145	0.	.0
150	0.	.0
155	0.	.0
160	0.	.0
165	0.	.0
170	0.	.0
175	0.	.0
180	0.	.0

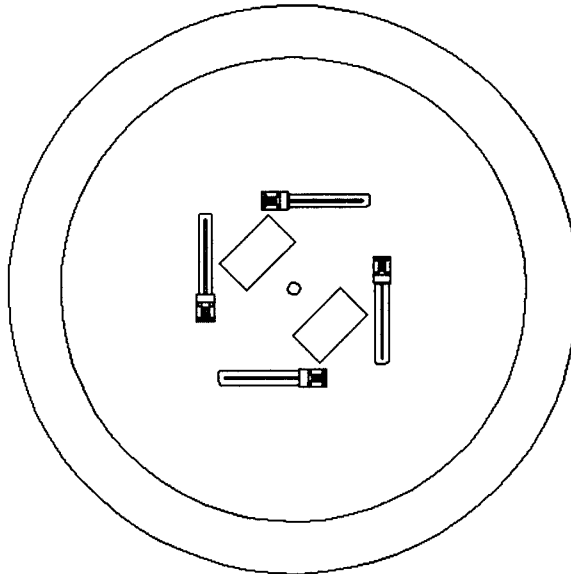
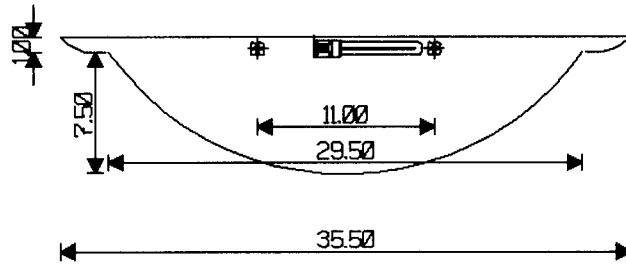


LUMEN SUMMARY

ZONE	LUMENS	%LAMP	%FIXT	ZONE	LUMENS	%LAMP	%FIXT
0- 30	713.	9.9	21.7	90-120	204.	2.8	6.2
0- 40	1175.	16.3	35.7	90-130	204.	2.8	6.2
0- 60	2136.	29.7	65.0	90-150	204.	2.8	6.2
0- 90	3083.	42.8	93.8	90-180	204.	2.8	6.2
TOTAL LUMINAIRE =				0-180	3287.	45.7	100.0
IES SPACING CRITERIA: ADJACENT= 1.3				DIAGONAL=	.9		

SIGNIFICANCE OF THE TEST IS LIMITED TO THE DEGREE THAT THE TESTED SAMPLE IS REPRESENTATIVE. OTHER FACTORS AFFECT FIELD PERFORMANCE.

BALLABS CERTIFIED TEST REPORT NO.: 12502.0 DATE 12/27/04
PREPARED FOR: G-LIGHTING/GROSS CHANDELIER - ST. LOUIS, MISSOURI
DESCRIPTION: 4/26W QUAD CF LAMP 35.5"DIA FLUSH MOUNT LUMINAIRE
35.5"DIA STEEL RING w/30"DIA SATIN WHITE ACRYLIC BOWL
2 UNIVERSAL BALLAST #C2642UNVSE WATTS=91 REFL=90%
CATALOG NBR: GL30SF-4/26QCF
LAMP TYPE : CFQ26W/24q/835 RATED LUMENS 1800. NBR. LAMPS:- 4



BALLABS CERTIFIED TEST REPORT NO.: 12502.0 DATE 12/27/04
 PREPARED FOR: G-LIGHTING/GROSS CHANDELIER - ST. LOUIS, MISSOURI
 DESCRIPTION: 4/26W QUAD CF LAMP 35.5"DIA FLUSH MOUNT LUMINAIRE
 35.5"DIA STEEL RING w/30"DIA SATIN WHITE ACRYLIC BOWL
 2 UNIVERSAL BALLAST #C2642UNVSE WATTS=91 REFL=90%
 CATALOG NBR: GL30SF-4/26QCF
 LAMP TYPE : CFQ26W/24q/835 RATED LUMENS 1800. NBR. LAMPS:- 4

LUMINANCES-CD/SQ-M
 HORIZONTAL ANGLE
 0

VERT ANGLE	
45	1534.
55	1422.
65	1308.
75	1208.
85	1145.

MAXIMUM BRIGHTNESSES NOT MEASURED

ZONAL CAVITY COEFFICIENTS OF UTILIZATION

EFFECTIVE FLOOR CAVITY REFLECTANCE=.20

CEILING	.80		.70		.50		.30		.10		.00							
WALL	.70	.50	.30	.10	.70	.50	.30	.10	.50	.30	.10	.50	.30	.10	.00			
RCR																		
0	.54	.54	.54	.54	.52	.52	.52	.52	.49	.49	.49	.46	.46	.46	.44	.44	.44	.43
1	.48	.46	.43	.41	.47	.44	.42	.40	.42	.40	.39	.40	.38	.37	.38	.36	.35	.34
2	.44	.40	.36	.33	.42	.38	.35	.33	.36	.34	.31	.34	.32	.30	.33	.31	.29	.28
3	.40	.35	.31	.28	.38	.34	.30	.27	.32	.29	.26	.30	.28	.25	.29	.27	.25	.24
4	.36	.31	.26	.23	.35	.30	.26	.23	.28	.25	.22	.27	.24	.22	.26	.23	.21	.20
5	.33	.27	.23	.19	.32	.26	.22	.19	.25	.21	.19	.24	.21	.18	.23	.20	.18	.17
6	.30	.24	.20	.17	.29	.23	.19	.17	.22	.19	.16	.21	.18	.16	.20	.18	.15	.14
7	.28	.22	.17	.15	.27	.21	.17	.14	.20	.17	.14	.19	.16	.14	.18	.16	.13	.12
8	.26	.19	.15	.13	.25	.19	.15	.12	.18	.15	.12	.17	.14	.12	.16	.14	.12	.11
9	.24	.17	.13	.11	.23	.17	.13	.11	.16	.13	.10	.15	.12	.10	.15	.12	.10	.09
10	.22	.16	.12	.10	.21	.15	.12	.09	.15	.11	.09	.14	.11	.09	.13	.11	.09	.08

TESTED IN ACCORDANCE WITH CURRENT IES PROCEDURES