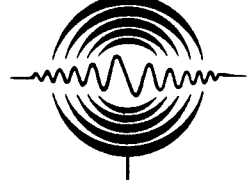


BUILDING ACOUSTICS & LIGHTING LABORATORIES, INC.

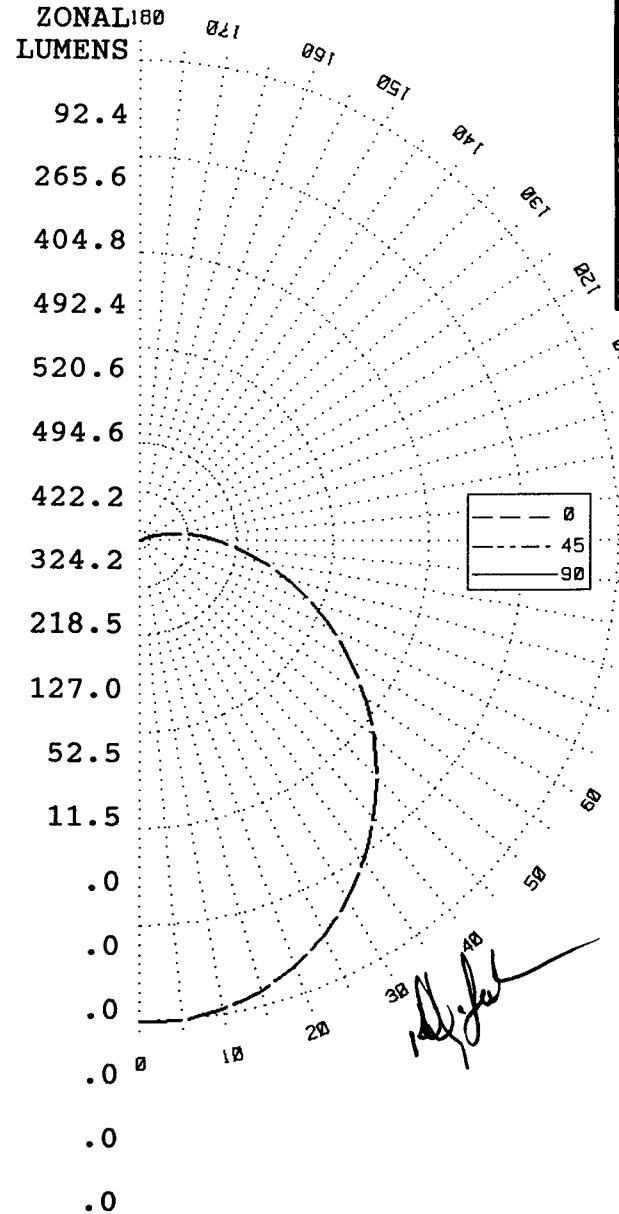
1618 HEADLAND DR.
 FENTON, MO 63026
 (636) - 343-6006
 (636) - 343-6051 FAX



BALLABS CERTIFIED TEST REPORT NO.: 12505.0 DATE 12/27/04
 PREPARED FOR: G-LIGHTING/GROSS CHANDELIER - ST. LOUIS, MISSOURI
 DESCRIPTION: 4/26W QUAD CF LAMP 44"DIA FLUSH MOUNT LUMINAIRE
 44"DIA STEEL RING w/38"DIA WHITE ACRYLIC BOWL
 2 UNIVERSAL BALLAST #C2642UNVSE WATTS=94 REFL=90%
 CATALOG NBR: GL38WF-4/26QCF
 LAMP TYPE : CFQ26W/24q/835 RATED LUMENS 1800. NBR. LAMPS:- 4

CANDLEPOWER DISTRIBUTION

| VERT ANG | AVERAGE CANDELA |
|----------|-----------------|
| 0 | 968. |
| 5 | 968. |
| 10 | 956. |
| 15 | 937. |
| 20 | 908. |
| 25 | 875. |
| 30 | 833. |
| 35 | 784. |
| 40 | 730. |
| 45 | 672. |
| 50 | 614. |
| 55 | 551. |
| 60 | 489. |
| 65 | 425. |
| 70 | 364. |
| 75 | 307. |
| 80 | 251. |
| 85 | 200. |
| 90 | 155. |
| 95 | 116. |
| 100 | 79. |
| 105 | 50. |
| 110 | 26. |
| 115 | 12. |
| 120 | 0. |
| 125 | 0. |
| 130 | 0. |
| 135 | 0. |
| 140 | 0. |
| 145 | 0. |
| 150 | 1. |
| 155 | 0. |
| 160 | 0. |
| 165 | 0. |
| 170 | 0. |
| 175 | 0. |
| 180 | 0. |

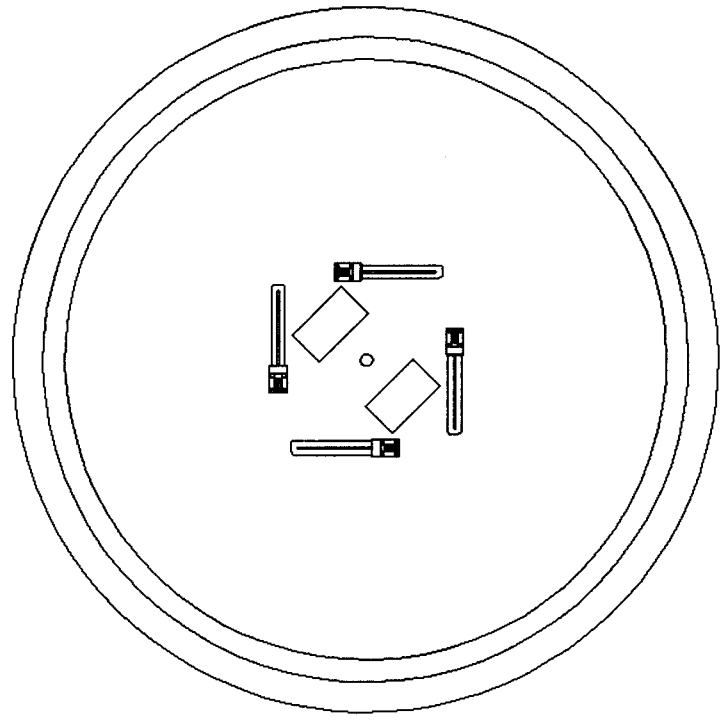
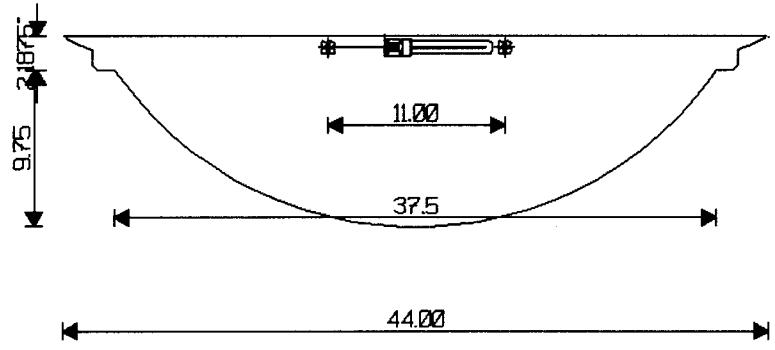


LUMEN SUMMARY

| ZONE | LUMENS | %LAMP | %FIXT | ZONE | LUMENS | %LAMP | %FIXT |
|-------------------------------------|--------|-------|-------|-----------|--------|-------|-------|
| 0- 30 | 763. | 10.6 | 22.3 | 90-120 | 191. | 2.7 | 5.6 |
| 0- 40 | 1255. | 17.4 | 36.6 | 90-130 | 191. | 2.7 | 5.6 |
| 0- 60 | 2270. | 31.5 | 66.3 | 90-150 | 191. | 2.7 | 5.6 |
| 0- 90 | 3235. | 44.9 | 94.4 | 90-180 | 191. | 2.7 | 5.6 |
| TOTAL LUMINAIRE = | | | | 0-180 | 3426. | 47.6 | 100.0 |
| IES SPACING CRITERIA: ADJACENT= 1.3 | | | | DIAGONAL= | .9 | | |

SIGNIFICANCE OF THE TEST IS LIMITED TO THE DEGREE THAT THE TESTED SAMPLE IS REPRESENTATIVE. OTHER FACTORS AFFECT FIELD PERFORMANCE.

BALLABS CERTIFIED TEST REPORT NO.: 12505.0 DATE 12/27/04
PREPARED FOR: G-LIGHTING/GROSS CHANDELIER - ST. LOUIS, MISSOURI
DESCRIPTION: 4/26W QUAD CF LAMP 44"DIA FLUSH MOUNT LUMINAIRE
44"DIA STEEL RING w/38"DIA WHITE ACRYLIC BOWL
2 UNIVERSAL BALLAST #C2642UNVSE WATTS=94 REFL=90%
CATALOG NBR: GL38WF-4/26QCF
LAMP TYPE : CFQ26W/24q/835 RATED LUMENS 1800. NBR. LAMPS:- 4



BALLABS CERTIFIED TEST REPORT NO.: 12505.0 DATE 12/27/04
 PREPARED FOR: G-LIGHTING/GROSS CHANDELIER - ST. LOUIS, MISSOURI
 DESCRIPTION: 4/26W QUAD CF LAMP 44"DIA FLUSH MOUNT LUMINAIRE
 44"DIA STEEL RING w/38"DIA WHITE ACRYLIC BOWL
 2 UNIVERSAL BALLAST #C2642UNVSE WATTS=94 REFL=90%
 CATALOG NBR: GL38WF-4/26QCF
 LAMP TYPE : CFQ26W/24q/835 RATED LUMENS 1800. NBR. LAMPS:- 4

LUMINANCES-CD/SQ-M
HORIZONTAL ANGLE

| VERT ANGLE | 0 |
|------------|------|
| 45 | 995. |
| 55 | 909. |
| 65 | 820. |
| 75 | 738. |
| 85 | 669. |

MAXIMUM BRIGHTNESSES NOT MEASURED

ZONAL CAVITY COEFFICIENTS OF UTILIZATION

EFFECTIVE FLOOR CAVITY REFLECTANCE=.20

| CEILING | .80 | .70 | .50 | .30 | .10 | .00 | | | | | | | | | | | | |
|---------|-----|-----|-----|-----|-----|-----|-----|-----|-----|-----|-----|-----|-----|-----|-----|-----|-----|-----|
| WALL | .70 | .50 | .30 | .10 | .70 | .50 | .30 | .10 | .50 | .30 | .10 | .50 | .30 | .10 | .50 | .30 | .10 | .00 |
| RCR | | | | | | | | | | | | | | | | | | |
| 0 | .56 | .56 | .56 | .56 | .54 | .54 | .54 | .54 | .51 | .51 | .51 | .49 | .49 | .49 | .46 | .46 | .46 | .45 |
| 1 | .50 | .48 | .46 | .43 | .49 | .47 | .44 | .42 | .44 | .42 | .41 | .42 | .40 | .39 | .40 | .38 | .37 | .36 |
| 2 | .46 | .41 | .38 | .35 | .44 | .40 | .37 | .34 | .38 | .35 | .33 | .36 | .34 | .32 | .34 | .33 | .31 | .30 |
| 3 | .42 | .36 | .32 | .29 | .40 | .35 | .32 | .29 | .34 | .30 | .28 | .32 | .29 | .27 | .30 | .28 | .26 | .25 |
| 4 | .38 | .32 | .28 | .24 | .37 | .31 | .27 | .24 | .30 | .26 | .24 | .28 | .25 | .23 | .27 | .24 | .22 | .21 |
| 5 | .35 | .28 | .24 | .21 | .33 | .28 | .23 | .20 | .26 | .23 | .20 | .25 | .22 | .19 | .24 | .21 | .19 | .18 |
| 6 | .32 | .25 | .21 | .18 | .31 | .25 | .21 | .18 | .24 | .20 | .17 | .22 | .19 | .17 | .21 | .19 | .16 | .15 |
| 7 | .29 | .23 | .18 | .15 | .28 | .22 | .18 | .15 | .21 | .18 | .15 | .20 | .17 | .15 | .19 | .16 | .14 | .13 |
| 8 | .27 | .20 | .16 | .13 | .26 | .20 | .16 | .13 | .19 | .15 | .13 | .18 | .15 | .13 | .17 | .15 | .12 | .11 |
| 9 | .25 | .18 | .14 | .11 | .24 | .18 | .14 | .11 | .17 | .14 | .11 | .16 | .13 | .11 | .16 | .13 | .11 | .10 |
| 10 | .23 | .17 | .13 | .10 | .22 | .16 | .12 | .10 | .16 | .12 | .10 | .15 | .12 | .10 | .14 | .11 | .09 | .09 |

TESTED IN ACCORDANCE WITH CURRENT IES PROCEDURES