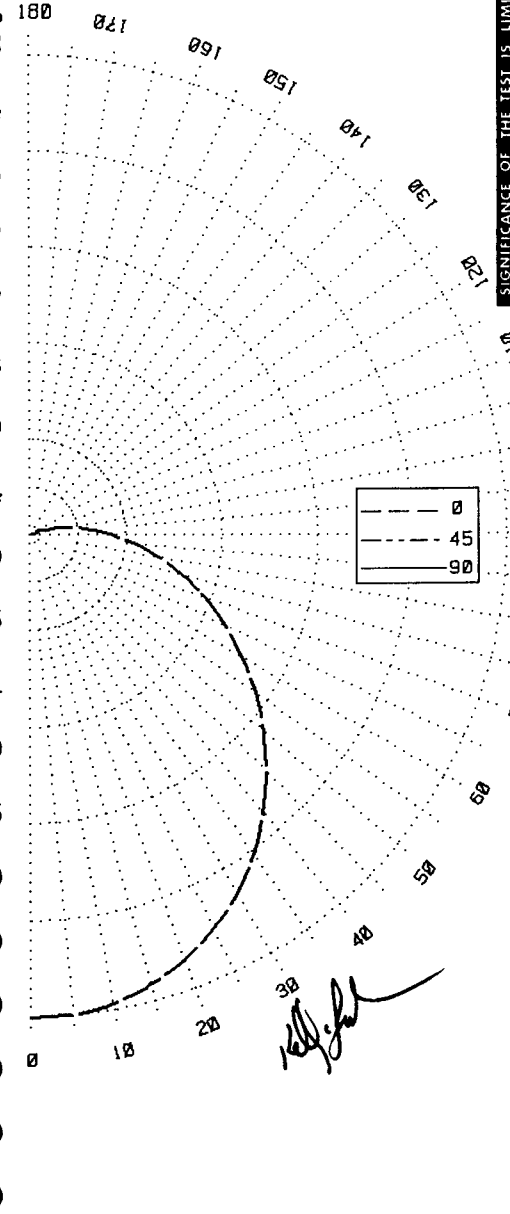


BALLABS CERTIFIED TEST REPORT NO.: 12508.0 DATE 12/17/04
 PREPARED FOR: G-LIGHTING/GROSS CHANDELIER - ST. LOUIS, MISSOURI
 DESCRIPTION: 8/26W QUAD CF LAMP 35.5"DIA FLUSH MOUNT LUMINAIRE
 35.5"DIA STEEL RING w/30"DIA WHITE ACRYLIC BOWL
 4 UNIVERSAL BALLAST #C2642UNVSE WATTS=174 REFL=90%
 CATALOG NBR: GL30WF-8/26QCF
 LAMP TYPE : CFQ26W/24q/835 RATED LUMENS 1800. NBR. LAMPS:- 8

CANDLEPOWER DISTRIBUTION

VERT ANG	AVERAGE CANDELA	ZONAL LUMENS
0	1359.	180
5	1355.	172.1
10	1340.	161
15	1311.	150
20	1273.	141
25	1224.	130
30	1168.	121
35	1101.	110
40	1025.	100
45	944.	90
50	863.	81
55	780.	72
60	694.	63
65	610.	54
70	530.	45
75	449.	36
80	374.	27
85	302.	18
90	236.	9
95	178.	0
100	124.	0
105	80.	0
110	44.	0
115	21.	0
120	0.	0
125	0.	0
130	0.	0
135	0.	0
140	0.	0
145	0.	0
150	0.	0
155	0.	0
160	0.	0
165	0.	0
170	0.	0
175	0.	0
180	0.	0



LUMEN SUMMARY

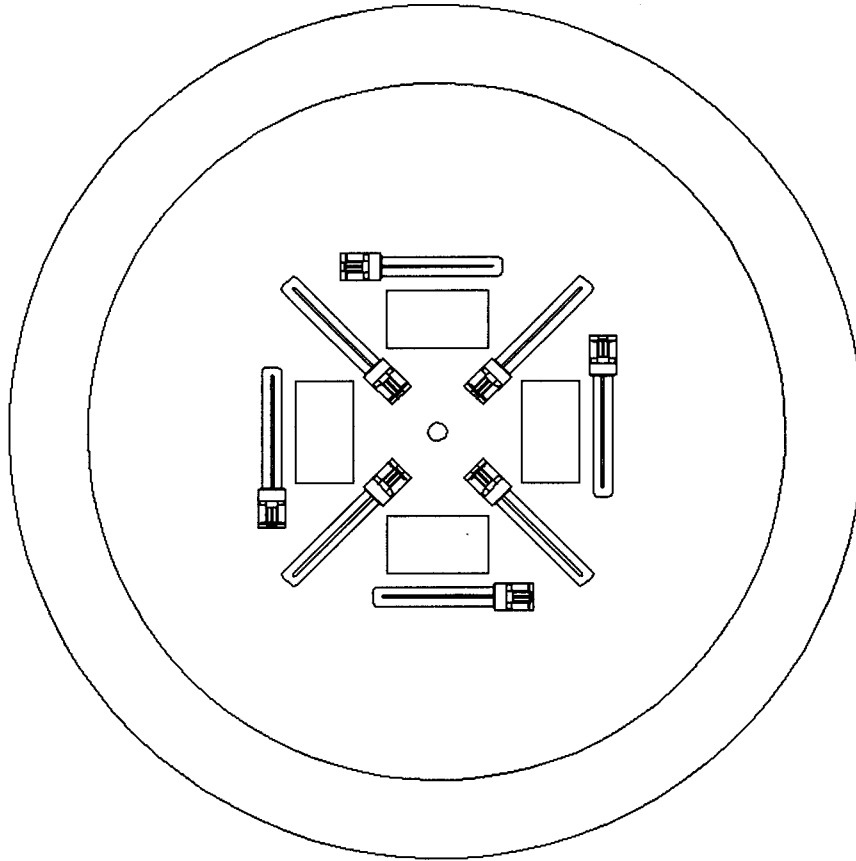
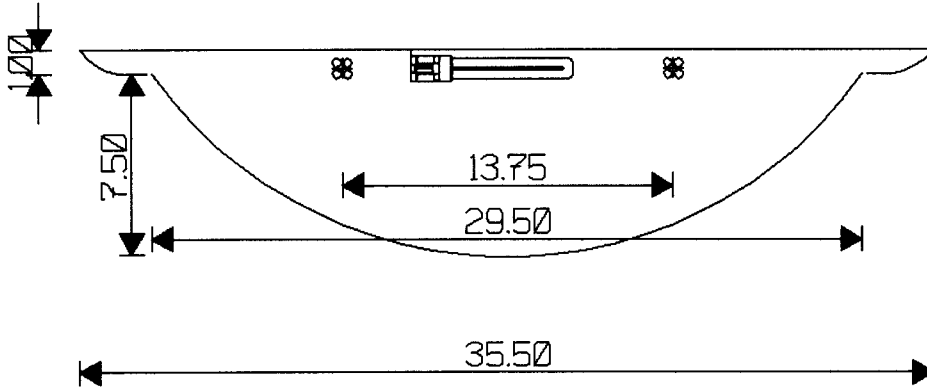
ZONE	LUMENS	%LAMP	%FIXT	ZONE	LUMENS	%LAMP	%FIXT
0- 30	1068.	7.4	21.8	90-120	300.	2.1	6.1
0- 40	1759.	12.2	35.9	90-130	300.	2.1	6.1
0- 60	3190.	22.2	65.1	90-150	300.	2.1	6.1
0- 90	4600.	31.9	93.9	90-180	300.	2.1	6.1
TOTAL LUMINAIRE =				0-180	4899.	34.0	100.0

IES SPACING CRITERIA: ADJACENT= 1.3

DIAGONAL= .9

SIGNIFICANCE OF THE TEST IS LIMITED TO THE DEGREE THAT THE TESTED SAMPLES REPRESENT THE ENTIRE BATCH OF LAMPS.

BALLABS CERTIFIED TEST REPORT NO.: 12508.0 DATE 12/17/04
PREPARED FOR: G-LIGHTING/GROSS CHANDELIER - ST. LOUIS, MISSOURI
DESCRIPTION: 8/26W QUAD CF LAMP 35.5"DIA FLUSH MOUNT LUMINAIRE
35.5"DIA STEEL RING w/30"DIA WHITE ACRYLIC BOWL
4 UNIVERSAL BALLAST #C2642UNVSE WATTS=174 REFL=90%
CATALOG NBR: GL30WF-8/26QCF
LAMP TYPE : CFQ26W/24q/835 RATED LUMENS 1800. NBR. LAMPS:- 8



BALLABS CERTIFIED TEST REPORT NO.: 12508.0 DATE 12/17/04
 PREPARED FOR: G-LIGHTING/GROSS CHANDELIER - ST. LOUIS, MISSOURI
 DESCRIPTION: 8/26W QUAD CF LAMP 35.5"DIA FLUSH MOUNT LUMINAIRE
 35.5"DIA STEEL RING w/30"DIA WHITE ACRYLIC BOWL
 4 UNIVERSAL BALLAST #C2642UNVSE WATTS=174 REFL=90%

CATALOG NBR: GL30WF-8/26QCF
 LAMP TYPE : CFQ26W/24q/835 RATED LUMENS 1800. NBR. LAMPS:- 8

LUMINANCES-CD/SQ-M
 HORIZONTAL ANGLE

VERT ANGLE	0
45	1481.
55	1389.
65	1300.
75	1239.
85	1234.

MAXIMUM BRIGHTNESSES NOT MEASURED

ZONAL CAVITY COEFFICIENTS OF UTILIZATION

EFFECTIVE FLOOR CAVITY REFLECTANCE=.20

CEILING	.80	.70	.50	.30	.10	.00													
WALL	.70	.50	.30	.10	.70	.50	.30	.10	.50	.30	.10	.50	.30	.10	.50	.30	.10	.00	
RCR																			
0	.40	.40	.40	.40	.39	.39	.39	.39	.37	.37	.37	.35	.35	.35	.33	.33	.33	.32	
1	.36	.34	.32	.31	.35	.33	.32	.30	.31	.30	.29	.30	.29	.28	.28	.27	.26	.26	
2	.33	.29	.27	.25	.31	.29	.26	.24	.27	.25	.23	.26	.24	.23	.24	.23	.22	.21	
3	.30	.26	.23	.21	.29	.25	.22	.20	.24	.22	.20	.23	.21	.19	.21	.20	.18	.18	
4	.27	.23	.20	.17	.26	.22	.19	.17	.21	.19	.17	.20	.18	.16	.19	.17	.16	.15	
5	.25	.20	.17	.15	.24	.20	.17	.14	.19	.16	.14	.18	.15	.14	.17	.15	.13	.13	
6	.23	.18	.15	.13	.22	.17	.15	.12	.17	.14	.12	.16	.14	.12	.15	.13	.12	.11	
7	.21	.16	.13	.11	.20	.16	.13	.11	.15	.12	.10	.14	.12	.10	.14	.12	.10	.09	
8	.19	.14	.11	.09	.19	.14	.11	.09	.13	.11	.09	.13	.11	.09	.12	.10	.09	.08	
9	.18	.13	.10	.08	.17	.13	.10	.08	.12	.10	.08	.12	.09	.08	.11	.09	.08	.07	
10	.16	.12	.09	.07	.16	.12	.09	.07	.11	.09	.07	.11	.08	.07	.10	.08	.07	.06	

TESTED IN ACCORDANCE WITH CURRENT IES PROCEDURES