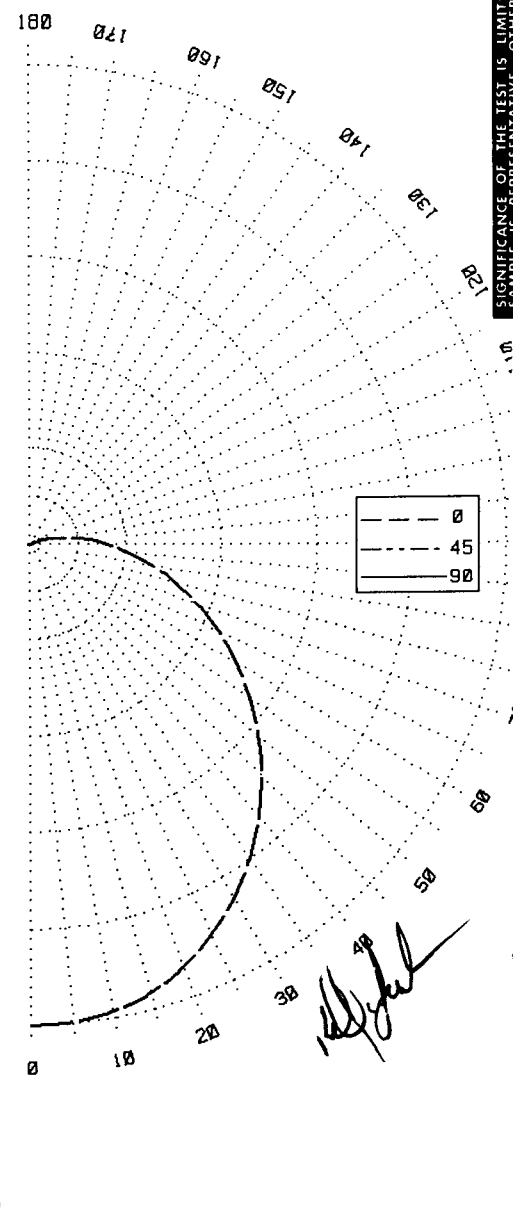


BALLABS CERTIFIED TEST REPORT NO.: 12509.0 DATE 12/22/04  
 PREPARED FOR: G-LIGHTING/GROSS CHANDELIER - ST. LOUIS, MISSOURI  
 DESCRIPTION: 3/39W BIAx CF LAMP 35.5"DIA FLUSH MNT LUMINAIRE  
 35.5"DIA STEEL RING w/30"DIA WHITE ACRYLIC BOWL  
 AC ELECT BALLAST #TST-140PBXS WATTS=90 REFL=90%  
 CATALOG NBR: GL30WF-3/39BX  
 LAMP TYPE : CFT39W/2G11/835 RATED LUMENS 2850. NBR. LAMPS:- 3

### CANDLEPOWER DISTRIBUTION

VERT ANG	AVERAGE CANDELA	ZONAL LUMENS
0	1231.	180
5	1225.	170
10	1211.	160
15	1188.	150
20	1150.	140
25	1102.	130
30	1048.	120
35	986.	110
40	916.	100
45	844.	90
50	767.	80
55	693.	70
60	612.	60
65	537.	50
70	461.	40
75	390.	30
80	323.	20
85	258.	10
90	200.	0
95	149.	0
100	102.	0
105	66.	0
110	34.	0
115	14.	0
120	0.	0
125	0.	0
130	0.	0
135	0.	0
140	0.	0
145	0.	0
150	0.	0
155	0.	0
160	0.	0
165	0.	0
170	0.	0
175	0.	0
180	0.	0



### LUMEN SUMMARY

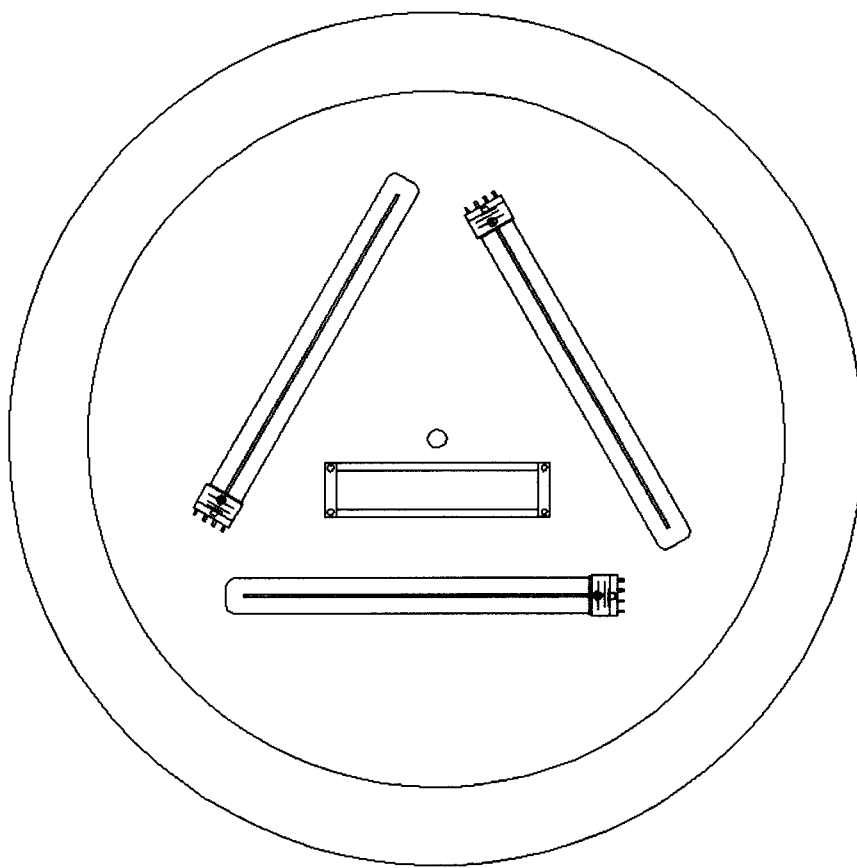
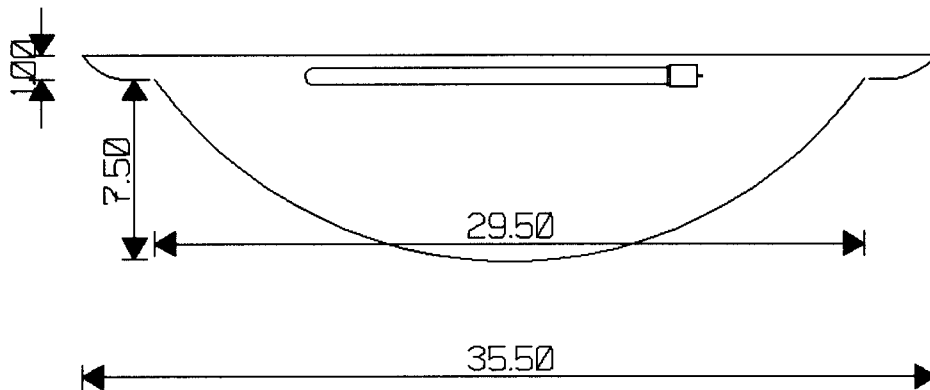
ZONE	LUMENS	%LAMP	%FIXT	ZONE	LUMENS	%LAMP	%FIXT
0- 30	964.	11.3	22.3	90-120	246.	2.9	5.7
0- 40	1583.	18.5	36.6	90-130	246.	2.9	5.7
0- 60	2858.	33.4	66.0	90-150	246.	2.9	5.7
0- 90	4085.	47.8	94.3	90-180	246.	2.9	5.7

TOTAL LUMINAIRE = 0-180 4331. 50.7 100.0

IES SPACING CRITERIA: ADJACENT= 1.3 DIAGONAL= .9

SIGNIFICANCE OF THE TEST IS LIMITED TO THE DEGREE THAT THE TESTED SAMPLE IS REPRESENTATIVE. OTHER FACTORS AFFECT FIELD PERFORMANCE.

BALLABS CERTIFIED TEST REPORT NO.: 12509.0 DATE 12/22/04  
PREPARED FOR: G-LIGHTING/GROSS CHANDELIER - ST. LOUIS, MISSOURI  
DESCRIPTION: 3/39W BIAX CF LAMP 35.5"DIA FLUSH MNT LUMINAIRE  
35.5"DIA STEEL RING w/30"DIA WHITE ACRYLIC BOWL  
AC ELECT BALLAST #TST-140PBXS WATTS=90 REFL=90%  
CATALOG NBR: GL30WF-3/39BX  
LAMP TYPE : CFT39W/2G11/835 RATED LUMENS 2850. NBR. LAMPS:- 3



BALLABS CERTIFIED TEST REPORT NO.: 12509.0 DATE 12/22/04  
 PREPARED FOR: G-LIGHTING/GROSS CHANDELIER - ST. LOUIS, MISSOURI  
 DESCRIPTION: 3/39W BIAX CF LAMP 35.5"DIA FLUSH MNT LUMINAIRE  
 35.5"DIA STEEL RING w/30"DIA WHITE ACRYLIC BOWL  
 AC ELECT BALLAST #TST-140PBXS WATTS=90 REFL=90%  
 CATALOG NBR: GL30WF-3/39BX  
 LAMP TYPE : CFT39W/2G11/835 RATED LUMENS 2850. NBR. LAMPS:- 3  
 \*\*\*\*\*

LUMINANCES-CD/SQ-M  
 HORIZONTAL ANGLE

VERT ANGLE	0
45	2028.
55	1860.
65	1688.
75	1535.
85	1418.

\*\*MAXIMUM BRIGHTNESSES NOT MEASURED\*\*

\*\*\*\*\*

ZONAL CAVITY COEFFICIENTS OF UTILIZATION

EFFECTIVE FLOOR CAVITY REFLECTANCE=.20

CEILING	.80	.70	.50	.30	.10	.00													
WALL	.70	.50	.30	.10	.70	.50	.30	.10	.50	.30	.10	.50	.30	.10	.50	.30	.10	.00	
RCR																			
0	.60	.60	.60	.60	.58	.58	.58	.58	.55	.55	.55	.52	.52	.52	.49	.49	.49	.48	
1	.54	.51	.48	.46	.52	.49	.47	.45	.47	.45	.43	.44	.43	.41	.42	.41	.40	.38	
2	.49	.44	.40	.37	.47	.43	.39	.36	.41	.38	.35	.38	.36	.34	.36	.35	.33	.31	
3	.44	.39	.34	.31	.43	.38	.34	.30	.36	.32	.29	.34	.31	.29	.32	.30	.28	.26	
4	.40	.34	.30	.26	.39	.33	.29	.26	.32	.28	.25	.30	.27	.24	.29	.26	.24	.23	
5	.37	.30	.25	.22	.36	.29	.25	.22	.28	.24	.21	.27	.23	.21	.25	.22	.20	.19	
6	.34	.27	.22	.19	.33	.26	.22	.19	.25	.21	.18	.24	.20	.18	.23	.20	.17	.16	
7	.31	.24	.20	.16	.30	.24	.19	.16	.22	.19	.16	.21	.18	.15	.21	.17	.15	.14	
8	.29	.22	.17	.14	.28	.21	.17	.14	.20	.16	.14	.19	.16	.13	.18	.15	.13	.12	
9	.26	.19	.15	.12	.26	.19	.15	.12	.18	.14	.12	.17	.14	.12	.17	.14	.11	.10	
10	.25	.18	.13	.11	.24	.17	.13	.11	.17	.13	.10	.16	.13	.10	.15	.12	.10	.09	

TESTED IN ACCORDANCE WITH CURRENT IES PROCEDURES