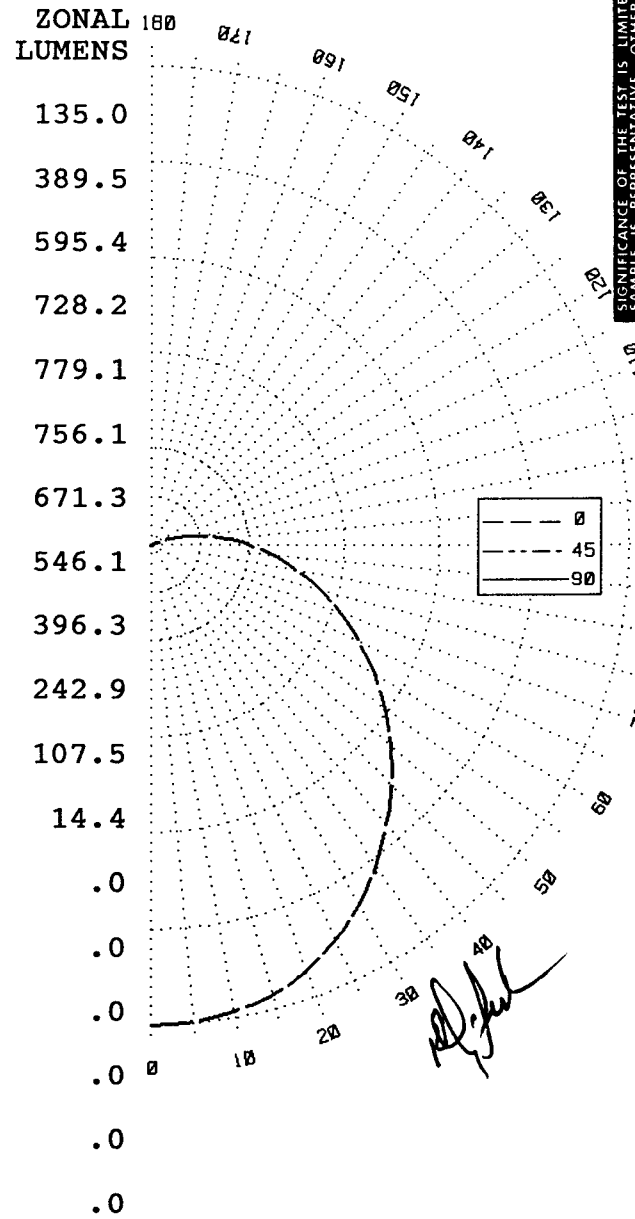


BALLABS CERTIFIED TEST REPORT NO.: 12510.0 DATE 12/16/04  
 PREPARED FOR: G-LIGHTING/GROSS CHANDELIER - ST. LOUIS, MISSOURI  
 DESCRIPTION: 4/39W BIAx CF LAMP 35.5"DIA FLUSH MOUNT LUMINAIRE  
 35.5"DIA STEEL RING w/30"DIA WHITE ACRYLIC BOWL  
 2 UNIVERSAL BALLAST #C2642UNVSE WATTS=112 REFL=90%  
 CATALOG NBR: GL30WF-4/39BX  
 LAMP TYPE : CFT39W/2G11/835 RATED LUMENS 2850. NBR. LAMPS:- 4

### CANDLEPOWER DISTRIBUTION

VERT ANG	AVERAGE CANDELA
0	1419.
5	1414.
10	1397.
15	1374.
20	1335.
25	1286.
30	1227.
35	1159.
40	1083.
45	1006.
50	925.
55	843.
60	761.
65	676.
70	594.
75	516.
80	437.
85	363.
90	291.
95	223.
100	158.
105	102.
110	52.
115	15.
120	0.
125	0.
130	0.
135	0.
140	0.
145	0.
150	0.
155	0.
160	0.
165	0.
170	0.
175	0.
180	0.



### LUMEN SUMMARY

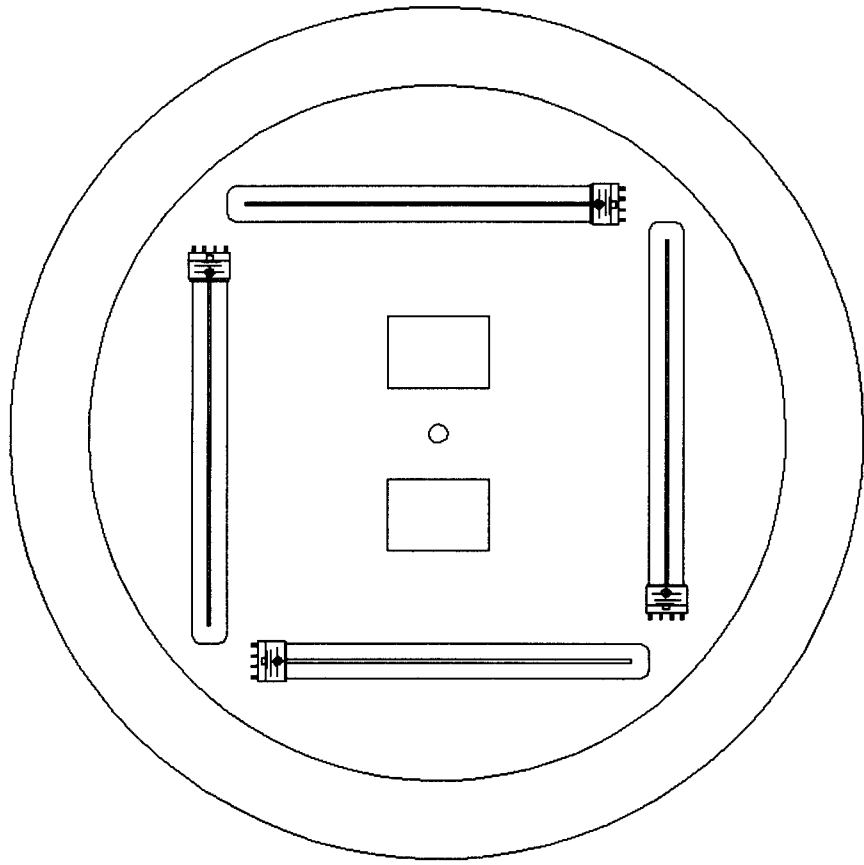
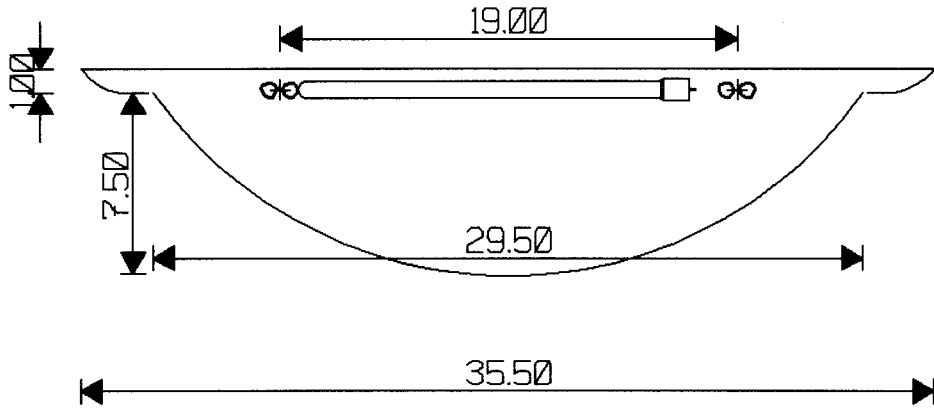
ZONE	LUMENS	%LAMP	%FIXT	ZONE	LUMENS	%LAMP	%FIXT
0- 30	1120.	9.8	20.9	90-120	365.	3.2	6.8
0- 40	1848.	16.2	34.5	90-130	365.	3.2	6.8
0- 60	3383.	29.7	63.1	90-150	365.	3.2	6.8
0- 90	4997.	43.8	93.2	90-180	365.	3.2	6.8

TOTAL LUMINAIRE = 0-180 5362. 47.0 100.0

IES SPACING CRITERIA: ADJACENT= 1.3 DIAGONAL= .9

SIGNIFICANCE OF THE TEST IS LIMITED TO THE DEGREE THAT THE TESTED SAMPLE IS REPRESENTATIVE. OTHER FACTORS AFFECT FIELD PERFORMANCE.

BALLABS CERTIFIED TEST REPORT NO.: 12510.0 DATE 12/16/04  
PREPARED FOR: G-LIGHTING/GROSS CHANDELIER - ST. LOUIS, MISSOURI  
DESCRIPTION: 4/39W BIAX CF LAMP 35.5"DIA FLUSH MOUNT LUMINAIRE  
35.5"DIA STEEL RING w/30"DIA WHITE ACRYLIC BOWL  
2 UNIVERSAL BALLAST #C2642UNVSE WATTS=112 REFL=90%  
CATALOG NBR: GL30WF-4/39BX  
LAMP TYPE : CFT39W/2G11/835 RATED LUMENS 2850. NBR. LAMPS:- 4



BALLABS CERTIFIED TEST REPORT NO.: 12510.0 DATE 12/16/04  
 PREPARED FOR: G-LIGHTING/GROSS CHANDELIER - ST. LOUIS, MISSOURI  
 DESCRIPTION: 4/39W BIAX CF LAMP 35.5"DIA FLUSH MOUNT LUMINAIRE  
 35.5"DIA STEEL RING w/30"DIA WHITE ACRYLIC BOWL  
 2 UNIVERSAL BALLAST #C2642UNVSE WATTS=112 REFL=90%  
 CATALOG NBR: GL30WF-4/39BX  
 LAMP TYPE : CFT39W/2G11/835 RATED LUMENS 2850. NBR. LAMPS:- 4  
 \*\*\*\*\*

LUMINANCES-CD/SQ-M  
 HORIZONTAL ANGLE

VERT ANGLE	0
45	2419.
55	2261.
65	2125.
75	2033.
85	1996.

\*\*MAXIMUM BRIGHTNESSES NOT MEASURED\*\*

\*\*\*\*\*

ZONAL CAVITY COEFFICIENTS OF UTILIZATION

EFFECTIVE FLOOR CAVITY REFLECTANCE=.20

CEILING	.80				.70				.50				.30				.10				.00
WALL	.70	.50	.30	.10	.70	.50	.30	.10	.50	.30	.10	.50	.30	.10	.50	.30	.10	.50	.30	.10	.00
RCR																					
0	.55	.55	.55	.55	.54	.54	.54	.54	.50	.50	.50	.48	.48	.48	.45	.45	.45	.44			
1	.49	.47	.44	.42	.48	.45	.43	.41	.43	.41	.39	.40	.39	.38	.38	.37	.36	.35			
2	.45	.40	.37	.34	.43	.39	.36	.33	.37	.34	.32	.35	.33	.31	.33	.31	.29	.28			
3	.41	.35	.31	.28	.39	.34	.31	.27	.32	.29	.27	.31	.28	.26	.29	.27	.25	.24			
4	.37	.31	.27	.23	.36	.30	.26	.23	.29	.25	.22	.27	.24	.22	.26	.23	.21	.20			
5	.34	.27	.23	.20	.32	.27	.22	.19	.25	.22	.19	.24	.21	.18	.23	.20	.18	.17			
6	.31	.24	.20	.17	.30	.24	.20	.17	.23	.19	.16	.21	.18	.16	.20	.18	.15	.14			
7	.29	.22	.18	.15	.27	.21	.17	.14	.20	.17	.14	.19	.16	.14	.18	.16	.13	.12			
8	.26	.20	.15	.13	.25	.19	.15	.12	.18	.15	.12	.17	.14	.12	.17	.14	.12	.11			
9	.24	.18	.14	.11	.23	.17	.13	.11	.16	.13	.10	.16	.12	.10	.15	.12	.10	.09			
10	.23	.16	.12	.10	.22	.16	.12	.09	.15	.12	.09	.14	.11	.09	.14	.11	.09	.08			

TESTED IN ACCORDANCE WITH CURRENT IES PROCEDURES