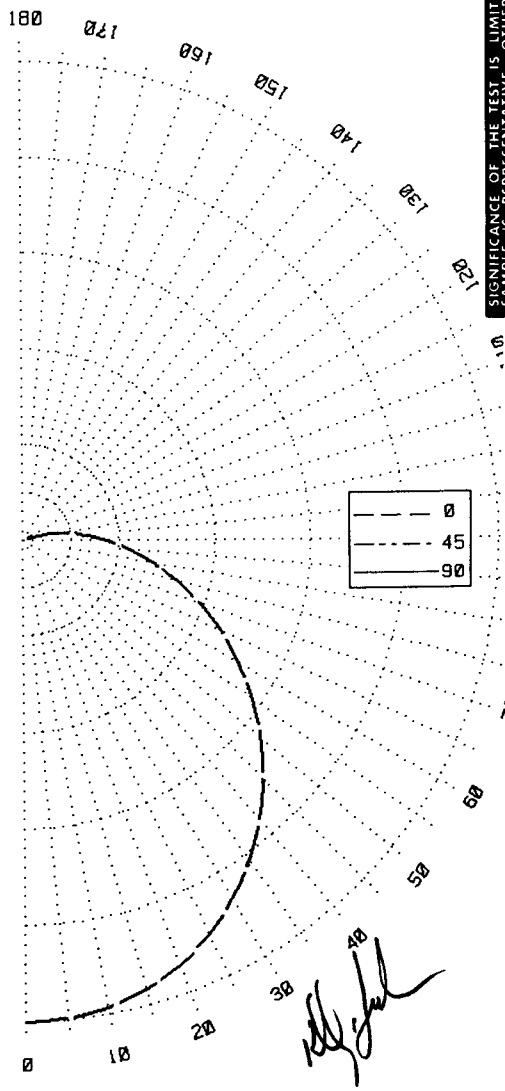


BALLABS CERTIFIED TEST REPORT NO.: 12511.0 DATE 12/20/04  
 PREPARED FOR: G-LIGHTING/GROSS CHANDELIER - ST. LOUIS, MISSOURI  
 DESCRIPTION: 6/39W BIAx CF 35.5"DIA FLUSH MNT LUMINAIRE  
 35.5"DIA STEEL RING w/30"DIA WHITE ACRYLIC BOWL  
 2 AC ELECT BALLAST #TST-140PBXS WATTS=177 REFL=90%  
 CATALOG NBR: GL30WF-6/39BX  
 LAMP TYPE : CFT39W/2G11/835 RATED LUMENS 2850. NBR. LAMPS:- 6

### CANDLEPOWER DISTRIBUTION

VERT ANG	AVERAGE CANDELA	ZONAL LUMENS
0	2200.	180
5	2189.	172
10	2166.	164
15	2123.	156
20	2064.	148
25	1991.	140
30	1900.	132
35	1792.	124
40	1674.	116
45	1548.	108
50	1417.	100
55	1280.	92
60	1138.	84
65	1001.	76
70	863.	68
75	732.	60
80	608.	52
85	494.	44
90	386.	36
95	292.	28
100	206.	20
105	132.	12
110	72.	4
115	31.	0
120	0.	0
125	0.	0
130	0.	0
135	0.	0
140	0.	0
145	0.	0
150	0.	0
155	0.	0
160	0.	0
165	0.	0
170	0.	0
175	0.	0
180	0.	0



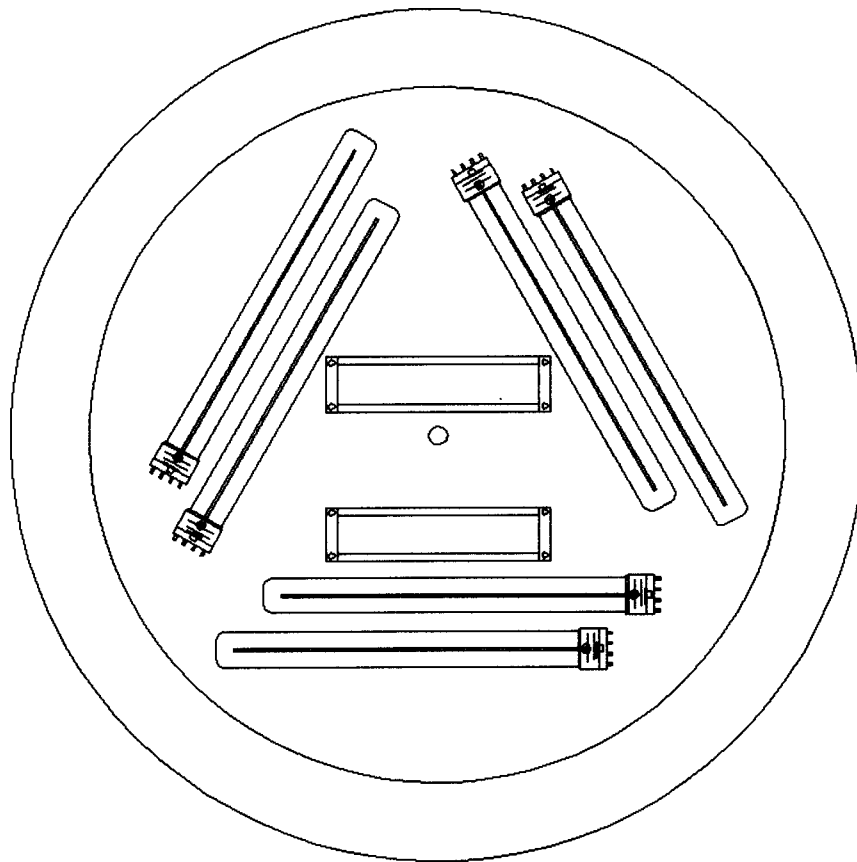
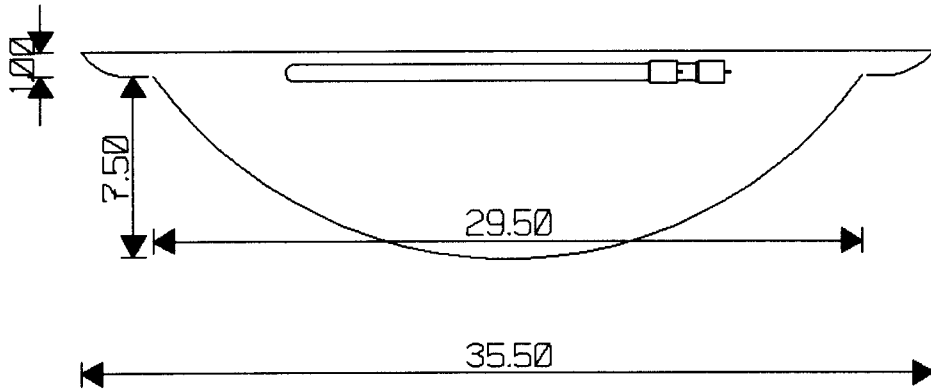
### LUMEN SUMMARY

ZONE	LUMENS	%LAMP	%FIXT	ZONE	LUMENS	%LAMP	%FIXT
0- 30	1732.	10.1	21.7	90-120	488.	2.9	6.1
0- 40	2858.	16.7	35.7	90-130	488.	2.9	6.1
0- 60	5205.	30.4	65.1	90-150	488.	2.9	6.1
0- 90	7512.	43.9	93.9	90-180	488.	2.9	6.1
TOTAL LUMINAIRE =				0-180	8000.	46.8	100.0

IES SPACING CRITERIA: ADJACENT= 1.3 DIAGONAL= .9

SIGNIFICANCE OF THE TEST IS LIMITED TO THE DEGREE THAT THE TESTED SAMPLE IS REPRESENTATIVE. OTHER FACTORS AFFECT FIELD PERFORMANCE.

BALLABS CERTIFIED TEST REPORT NO.: 12511.0 DATE 12/20/04  
PREPARED FOR: G-LIGHTING/GROSS CHANDELIER - ST. LOUIS, MISSOURI  
DESCRIPTION: 6/39W BIAX CF 35.5"DIA FLUSH MNT LUMINAIRE  
35.5"DIA STEEL RING w/30"DIA WHITE ACRYLIC BOWL  
2 AC ELECT BALLAST #TST-140PBXS WATTS=177 REFL=90%  
CATALOG NBR: GL30WF-6/39BX  
LAMP TYPE : CFT39W/2G11/835 RATED LUMENS 2850. NBR. LAMPS:- 6



BALLABS CERTIFIED TEST REPORT NO.: 12511.0 DATE 12/20/04  
 PREPARED FOR: G-LIGHTING/GROSS CHANDELIER - ST. LOUIS, MISSOURI  
 DESCRIPTION: 6/39W BIAX CF 35.5"DIA FLUSH MNT LUMINAIRE  
 35.5"DIA STEEL RING w/30"DIA WHITE ACRYLIC BOWL  
 2 AC ELECT BALLAST #TST-140PBXS WATTS=177 REFL=90%  
 CATALOG NBR: GL30WF-6/39BX  
 LAMP TYPE : CFT39W/2G11/835 RATED LUMENS 2850. NBR. LAMPS:- 6  
 \*\*\*\*\*

LUMINANCES-CD/SQ-M  
 HORIZONTAL ANGLE  
 0

VERT  
 ANGLE  
 45 3721.  
 55 3435.  
 65 3146.  
 75 2882.  
 85 2715.

\*\*MAXIMUM BRIGHTNESSES NOT MEASURED\*\*

\*\*\*\*\*

ZONAL CAVITY COEFFICIENTS OF UTILIZATION

EFFECTIVE FLOOR CAVITY REFLECTANCE=.20

CEILING	.80		.70		.50		.30		.10		.00							
WALL	.70	.50	.30	.10	.70	.50	.30	.10	.50	.30	.10	.50	.30	.10	.50	.30	.10	.00
RCR																		
0	.55	.55	.55	.55	.53	.53	.53	.53	.50	.50	.50	.48	.48	.48	.45	.45	.45	.44
1	.49	.47	.45	.42	.48	.46	.43	.41	.43	.41	.40	.41	.39	.38	.39	.37	.36	.35
2	.45	.40	.37	.34	.43	.39	.36	.33	.37	.35	.32	.35	.33	.31	.33	.32	.30	.29
3	.41	.36	.31	.28	.39	.35	.31	.28	.33	.30	.27	.31	.28	.26	.29	.27	.25	.24
4	.37	.31	.27	.24	.36	.31	.27	.23	.29	.26	.23	.28	.25	.22	.26	.24	.22	.20
5	.34	.28	.23	.20	.33	.27	.23	.20	.26	.22	.19	.24	.21	.19	.23	.20	.18	.17
6	.31	.25	.20	.17	.30	.24	.20	.17	.23	.19	.17	.22	.19	.16	.21	.18	.16	.15
7	.29	.22	.18	.15	.28	.22	.18	.15	.21	.17	.14	.20	.16	.14	.19	.16	.14	.13
8	.26	.20	.16	.13	.25	.19	.15	.13	.18	.15	.12	.18	.14	.12	.17	.14	.12	.11
9	.24	.18	.14	.11	.23	.17	.14	.11	.17	.13	.11	.16	.13	.10	.15	.12	.10	.09
10	.23	.16	.12	.10	.22	.16	.12	.10	.15	.12	.09	.14	.11	.09	.14	.11	.09	.08

TESTED IN ACCORDANCE WITH CURRENT IES PROCEDURES