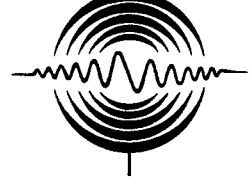


BUILDING ACOUSTICS & LIGHTING LABORATORIES, INC.

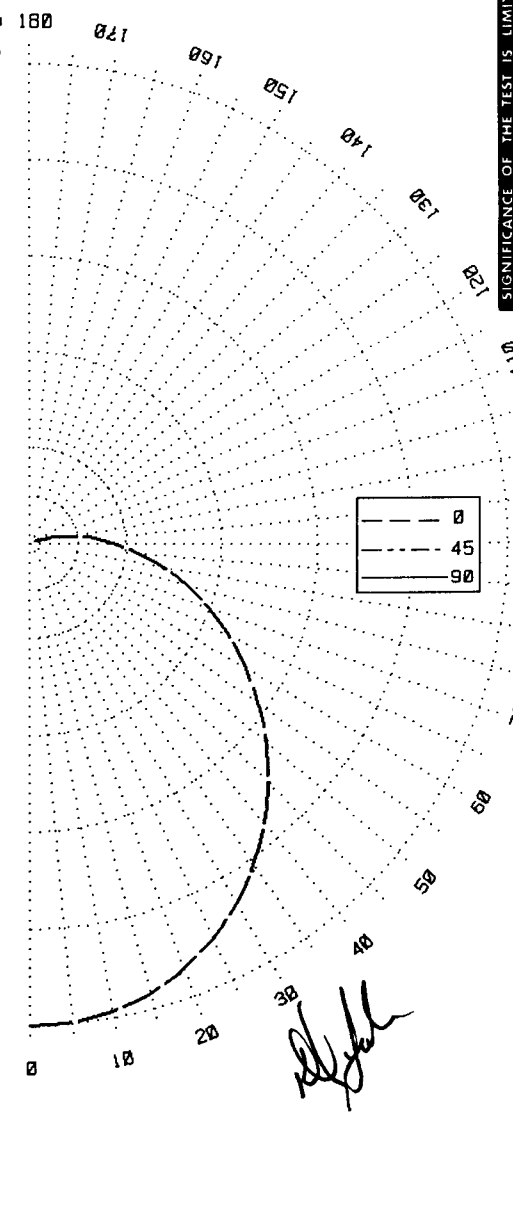
1618 HEADLAND DR.
 FENTON, MO 63026
 (636) - 343-6006
 (636) - 343-6051 FAX



BALLABS CERTIFIED TEST REPORT NO.: 12512.0 DATE 12/16/04
 PREPARED FOR: G-LIGHTING/GROSS CHANDELIER - ST. LOUIS, MISSOURI
 DESCRIPTION: 9/39W BIAx CF LAMP 44"DIA FLUSH MOUNT LUMINAIRE
 44"DIA STEEL RING w/38"DIA WHITE ACRYLIC BOWL
 3 AC ELECT BALLAST #TST-140PBXS WATTS=252 REFL=90%
 CATALOG NBR: GL38WF-9/39W
 LAMP TYPE : CFT39W/2G11/835 RATED LUMENS 2850. NBR. LAMPS:- 9

CANDLEPOWER DISTRIBUTION

| VERT ANG | AVERAGE CANDELA | ZONAL LUMENS |
|----------|-----------------|--------------|
| 0 | 3024. | |
| 5 | 3013. | 287.6 |
| 10 | 2978. | |
| 15 | 2920. | 827.7 |
| 20 | 2835. | |
| 25 | 2730. | 1263.6 |
| 30 | 2607. | |
| 35 | 2457. | 1543.6 |
| 40 | 2299. | |
| 45 | 2125. | 1646.0 |
| 50 | 1951. | |
| 55 | 1762. | 1580.7 |
| 60 | 1575. | |
| 65 | 1391. | 1381.0 |
| 70 | 1206. | |
| 75 | 1028. | 1087.8 |
| 80 | 860. | |
| 85 | 697. | 760.3 |
| 90 | 549. | |
| 95 | 416. | 454.3 |
| 100 | 292. | |
| 105 | 188. | 198.5 |
| 110 | 106. | |
| 115 | 48. | 47.6 |
| 120 | 14. | |
| 125 | 0. | .0 |
| 130 | 0. | .0 |
| 135 | 0. | .0 |
| 140 | 0. | .0 |
| 145 | 0. | .0 |
| 150 | 0. | .0 |
| 155 | 0. | .0 |
| 160 | 0. | .0 |
| 165 | 0. | .0 |
| 170 | 0. | .0 |
| 175 | 0. | .0 |
| 180 | 0. | .0 |



LUMEN SUMMARY

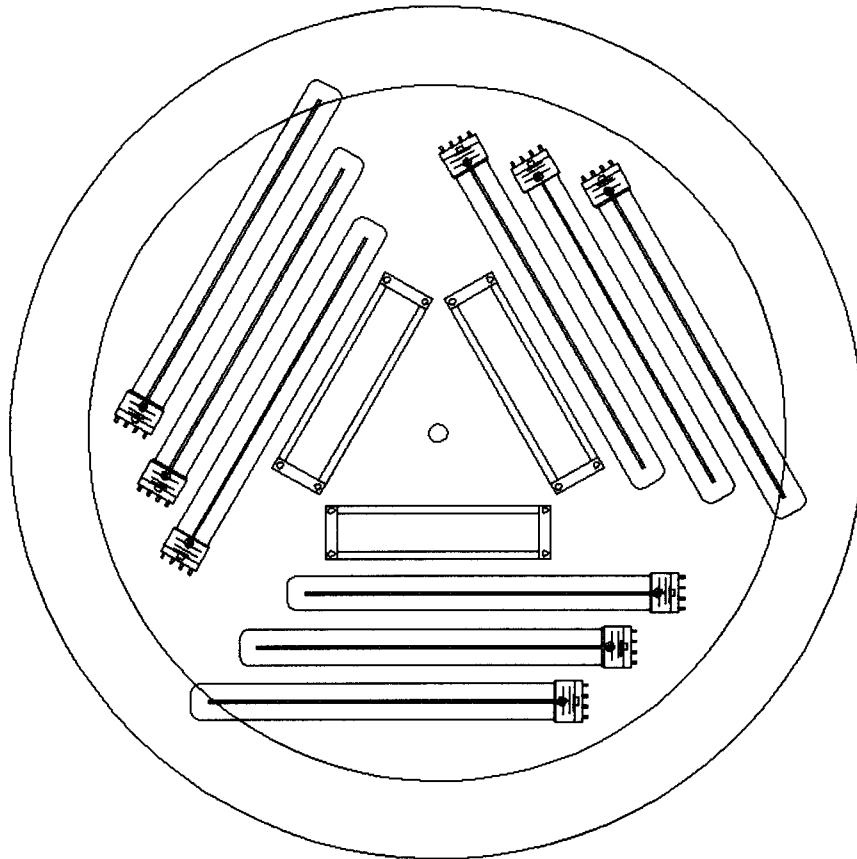
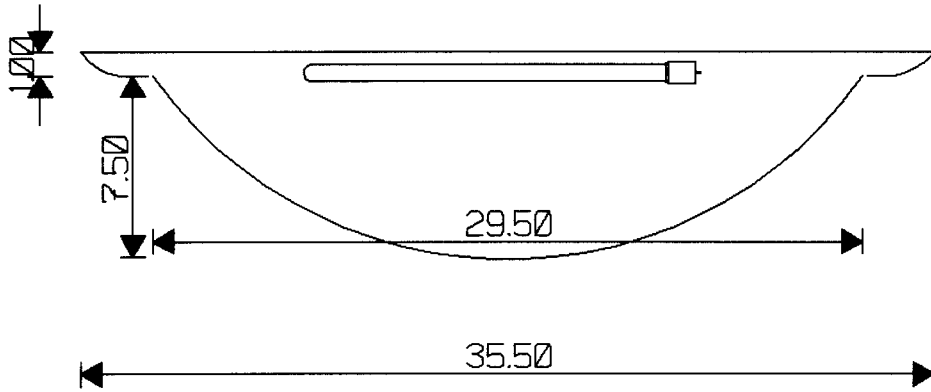
| ZONE | LUMENS | %LAMP | %FIXT | ZONE | LUMENS | %LAMP | %FIXT |
|-------|--------|-------|-------|--------|--------|-------|-------|
| 0- 30 | 2379. | 9.3 | 21.5 | 90-120 | 700. | 2.7 | 6.3 |
| 0- 40 | 3923. | 15.3 | 35.4 | 90-130 | 700. | 2.7 | 6.3 |
| 0- 60 | 7149. | 27.9 | 64.5 | 90-150 | 700. | 2.7 | 6.3 |
| 0- 90 | 10378. | 40.5 | 93.7 | 90-180 | 700. | 2.7 | 6.3 |

TOTAL LUMINAIRE = 0-180 11079. 43.2 100.0

IES SPACING CRITERIA: ADJACENT= 1.3 DIAGONAL= .9

SIGNIFICANCE OF THE TEST IS LIMITED TO THE DEGREE THAT THE TESTED SAMPLE IS REPRESENTATIVE. OTHER FACTORS AFFECT FIELD PERFORMANCE.

BALLABS CERTIFIED TEST REPORT NO.: 12512.0 DATE 12/16/04
PREPARED FOR: G-LIGHTING/GROSS CHANDELIER - ST. LOUIS, MISSOURI
DESCRIPTION: 9/39W BIAX CF LAMP 44"DIA FLUSH MOUNT LUMINAIRE
44"DIA STEEL RING w/38"DIA WHITE ACRYLIC BOWL
3 AC ELECT BALLAST #TST-140PBXS WATTS=252 REFL=90%
CATALOG NBR: GL38WF-9/39W
LAMP TYPE : CFT39W/2G11/835 RATED LUMENS 2850. NBR. LAMPS:- 9



BALLABS CERTIFIED TEST REPORT NO.: 12512.0 DATE 12/16/04
 PREPARED FOR: G-LIGHTING/GROSS CHANDELIER - ST. LOUIS, MISSOURI
 DESCRIPTION: 9/39W BIAX CF LAMP 44"DIA FLUSH MOUNT LUMINAIRE
 44"DIA STEEL RING w/38"DIA WHITE ACRYLIC BOWL
 3 AC ELECT BALLAST #TST-140PBXS WATTS=252 REFL=90%
 CATALOG NBR: GL38WF-9/39W
 LAMP TYPE : CFT39W/2G11/835 RATED LUMENS 2850. NBR. LAMPS:- 9

LUMINANCES-CD/SQ-M
 HORIZONTAL ANGLE
 0

| VERT ANGLE | |
|------------|-------|
| 45 | 3145. |
| 55 | 2905. |
| 65 | 2681. |
| 75 | 2475. |
| 85 | 2328. |

MAXIMUM BRIGHTNESSES NOT MEASURED

ZONAL CAVITY COEFFICIENTS OF UTILIZATION

EFFECTIVE FLOOR CAVITY REFLECTANCE=.20

| CEILING | .80 | .70 | .50 | .30 | .10 | .00 | | | | | | | | | | | | | |
|---------|-----|-----|-----|-----|-----|-----|-----|-----|-----|-----|-----|-----|-----|-----|-----|-----|-----|-----|--|
| WALL | .70 | .50 | .30 | .10 | .70 | .50 | .30 | .10 | .50 | .30 | .10 | .50 | .30 | .10 | .50 | .30 | .10 | .00 | |
| RCR | | | | | | | | | | | | | | | | | | | |
| 0 | .51 | .51 | .51 | .51 | .49 | .49 | .49 | .49 | .46 | .46 | .46 | .44 | .44 | .44 | .42 | .42 | .42 | .40 | |
| 1 | .46 | .43 | .41 | .39 | .44 | .42 | .40 | .38 | .40 | .38 | .37 | .37 | .36 | .35 | .35 | .34 | .33 | .32 | |
| 2 | .41 | .37 | .34 | .31 | .40 | .36 | .33 | .31 | .34 | .32 | .30 | .32 | .30 | .28 | .31 | .29 | .27 | .26 | |
| 3 | .38 | .33 | .29 | .26 | .36 | .32 | .28 | .26 | .30 | .27 | .25 | .29 | .26 | .24 | .27 | .25 | .23 | .22 | |
| 4 | .34 | .29 | .25 | .22 | .33 | .28 | .24 | .22 | .27 | .23 | .21 | .25 | .23 | .20 | .24 | .22 | .20 | .19 | |
| 5 | .31 | .25 | .21 | .18 | .30 | .25 | .21 | .18 | .23 | .20 | .18 | .22 | .19 | .17 | .21 | .19 | .17 | .16 | |
| 6 | .29 | .23 | .19 | .16 | .28 | .22 | .18 | .16 | .21 | .18 | .15 | .20 | .17 | .15 | .19 | .16 | .14 | .14 | |
| 7 | .26 | .20 | .16 | .14 | .25 | .20 | .16 | .13 | .19 | .16 | .13 | .18 | .15 | .13 | .17 | .15 | .13 | .12 | |
| 8 | .24 | .18 | .14 | .12 | .23 | .18 | .14 | .12 | .17 | .14 | .11 | .16 | .13 | .11 | .15 | .13 | .11 | .10 | |
| 9 | .22 | .16 | .13 | .10 | .22 | .16 | .12 | .10 | .15 | .12 | .10 | .15 | .12 | .10 | .14 | .11 | .09 | .09 | |
| 10 | .21 | .15 | .11 | .09 | .20 | .15 | .11 | .09 | .14 | .11 | .09 | .13 | .10 | .08 | .13 | .10 | .08 | .08 | |

TESTED IN ACCORDANCE WITH CURRENT IES PROCEDURES