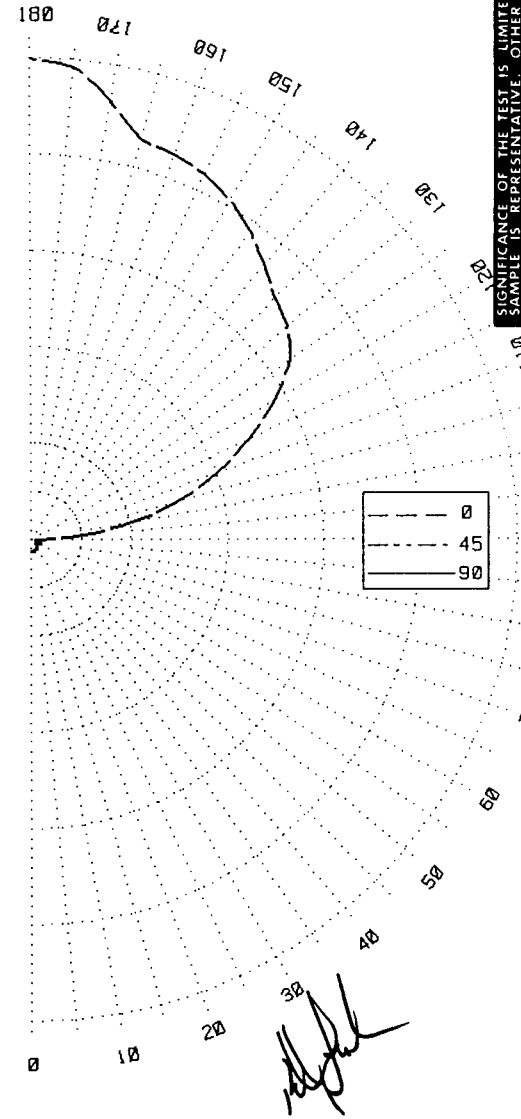


BALLABS CERTIFIED TEST REPORT NO.: 14169.0 DATE 06/13/08
 PREPARED FOR: G-LIGHTING/GROSS CHANDELIER - ST. LOUIS, MISSOURI
 DESCRIPTION: 6/40W BIAX CF 35"DIA TRAJECTORY BIDIRECT PENDANT LUMINAIRE
 WHITE REFL IN OPEN TOP w/13.625"DIA .25"FLAT FROSTED GLASS
 3 AC ELECTRONICS BALLAST #EST-A40PBXS WATTS=270 REFL=90%
 CATALOG NBR: G29992-E1-1-P-3-072
 LAMP TYPE : CFT40W/2G11/835 RATED LUMENS 3150. NBR. LAMPS:- 6

CANDLEPOWER DISTRIBUTION

VERT ANG	AVERAGE CANDELA	ZONAL LUMENS
0	109.	
5	109.	10.4
10	108.	
15	107.	30.3
20	104.	
25	99.	45.9
30	94.	
35	89.	56.1
40	82.	
45	72.	55.8
50	60.	
55	52.	46.5
60	72.	
65	88.	86.9
70	73.	
75	58.	61.4
80	46.	
85	35.	37.9
90	63.	
95	410.	446.8
100	895.	
105	1386.	1466.0
110	1809.	
115	2234.	2217.6
120	2610.	
125	2938.	2635.9
130	3114.	
135	3210.	2486.2
140	3371.	
145	3541.	2224.2
150	3684.	
155	3794.	1756.2
160	3855.	
165	3908.	1107.7
170	4190.	
175	4463.	426.0
180	4531.	



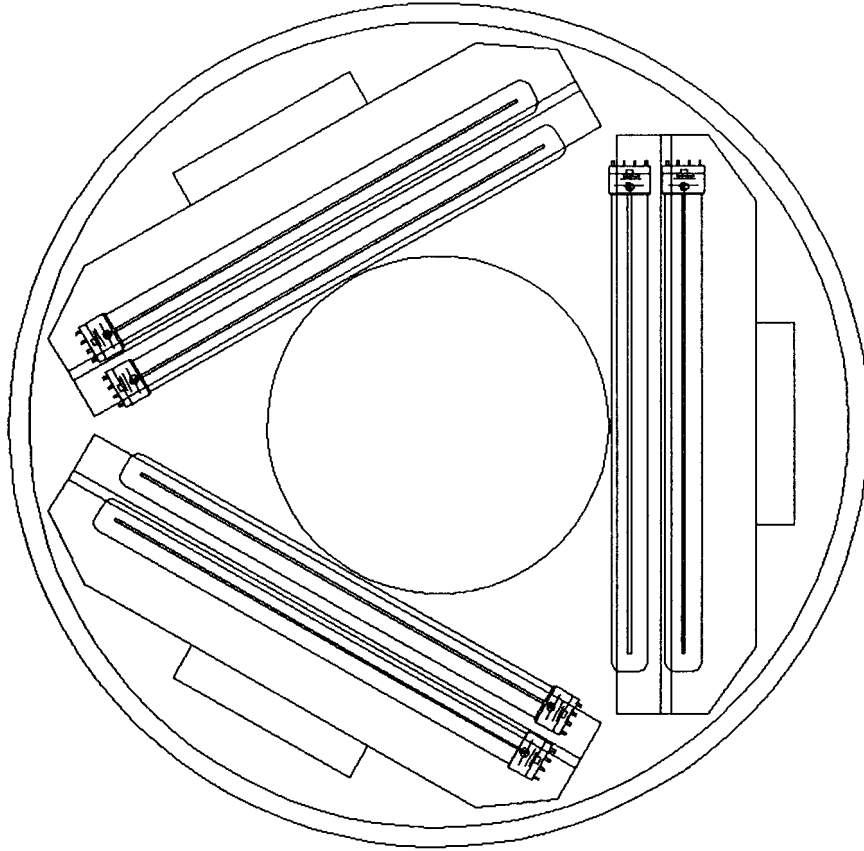
SIGNIFICANCE OF THE TEST IS LIMITED TO THE DEGREE THAT THE TESTED SAMPLE IS REPRESENTATIVE. OTHER FACTORS AFFECT FIELD PERFORMANCE.

LUMEN SUMMARY

ZONE	LUMENS	%LAMP	%FIXT	ZONE	LUMENS	%LAMP	%FIXT
0- 30	87.	.5	.6	90-120	4130.	21.9	27.2
0- 40	143.	.8	.9	90-130	6766.	35.8	44.5
0- 60	245.	1.3	1.6	90-150	11477.	60.7	75.5
0- 90	431.	2.3	2.8	90-180	14767.	78.1	97.2
TOTAL LUMINAIRE =				0-180	15198.	80.4	100.0

IES SPACING CRITERIA: ADJACENT= 1.3 DIAGONAL= .9

BALLABS CERTIFIED TEST REPORT NO.: 14169.0 DATE 06/13/08
PREPARED FOR: G-LIGHTING/GROSS CHANDELIER - ST. LOUIS, MISSOURI
DESCRIPTION: 6/40W BIAX CF 35"DIA TRAJECTORY BIDIRECT PENDANT LUMINAIRE
WHITE REFL IN OPEN TOP w/13.625"DIA .25"FLAT FROSTED GLASS
3 AC ELECTRONICS BALLAST #EST-A40PBXS WATTS=270 REFL=90%
CATALOG NBR: G29992-E1-1-P-3-072
LAMP TYPE : CFT40W/2G11/835 RATED LUMENS 3150. NBR. LAMPS:- 6



35.00

