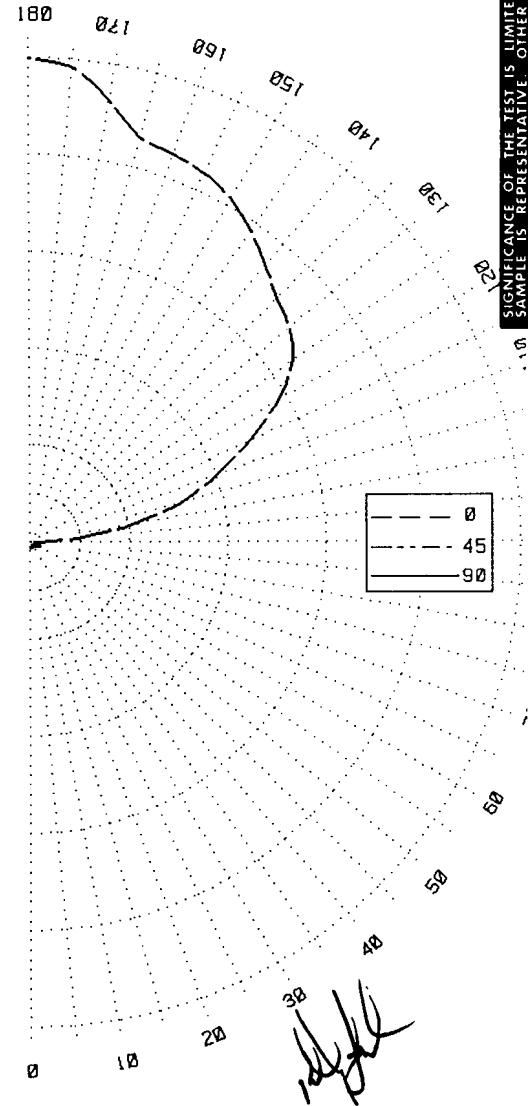


BALLABS CERTIFIED TEST REPORT NO.: 14170.0 DATE 06/13/08
 PREPARED FOR: G-LIGHTING/GROSS CHANDELIER - ST. LOUIS, MISSOURI
 DESCRIPTION: 6/40W BIAx CF 35"DIA TRAJECTORY BIDIRECT PENDANT LUMINAIRE
 WHITE REFLECTOR IN OPEN TOP w/12"DIA WHITE DOME ACRYLIC LENS
 3 AC ELECTRONICS BALLAST #EST-A40PBXS WATTS=266 REFL=90
 CATALOG NBR: G29992-E1-2-P-3-072
 LAMP TYPE : CFT40W/2G11/835 RATED LUMENS 3150. NBR. LAMPS:- 6

CANDLEPOWER DISTRIBUTION

VERT ANG	AVERAGE CANDELA	ZONAL LUMENS
0	46.	
5	47.	4.5
10	46.	
15	45.	12.6
20	44.	
25	42.	19.3
30	40.	
35	40.	24.8
40	37.	
45	35.	26.9
50	33.	
55	35.	31.4
60	63.	
65	85.	84.0
70	75.	
75	63.	66.3
80	53.	
85	42.	46.1
90	69.	
95	419.	456.6
100	923.	
105	1426.	1508.2
110	1838.	
115	2247.	2230.2
120	2647.	
125	2966.	2661.3
130	3136.	
135	3232.	2502.6
140	3388.	
145	3561.	2237.0
150	3712.	
155	3816.	1766.4
160	3877.	
165	3931.	1114.2
170	4209.	
175	4479.	427.5
180	4548.	



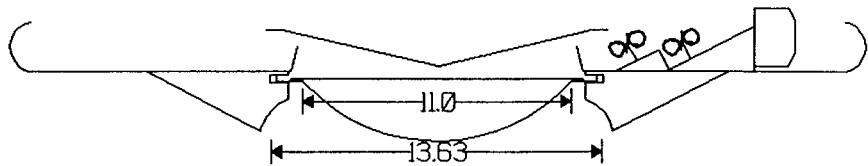
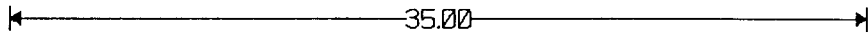
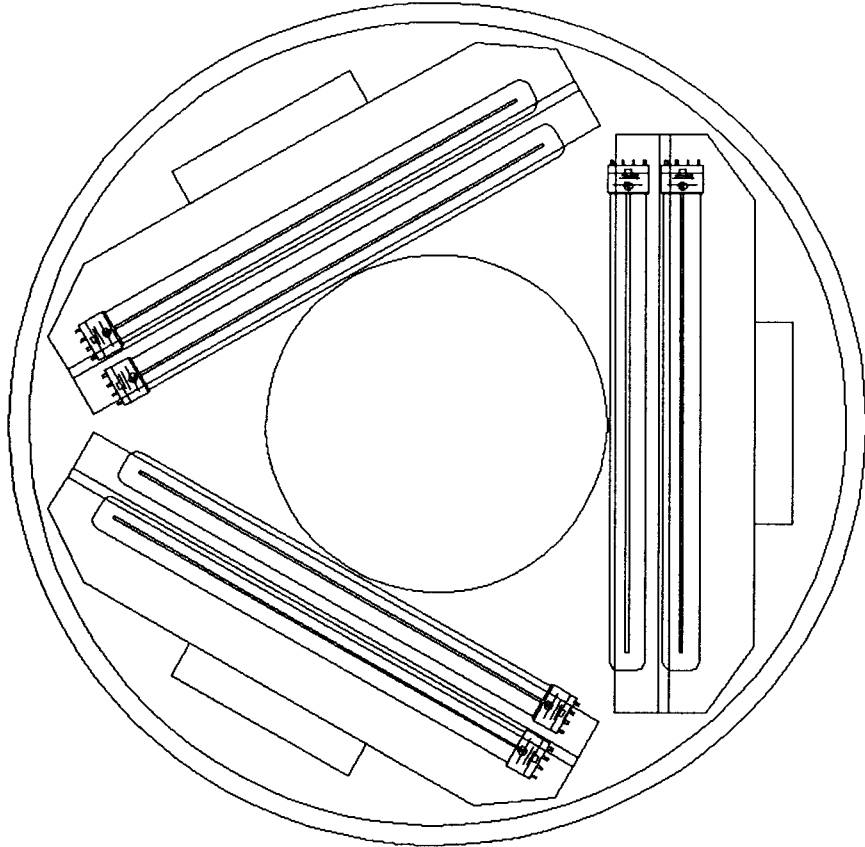
LUMEN SUMMARY

ZONE	LUMENS	%LAMP	%FIXT	ZONE	LUMENS	%LAMP	%FIXT
0- 30	36.	.2	.2	90-120	4195.	22.2	27.6
0- 40	61.	.3	.4	90-130	6856.	36.3	45.0
0- 60	120.	.6	.8	90-150	11596.	61.4	76.2
0- 90	316.	1.7	2.1	90-180	14904.	78.9	97.9
TOTAL LUMINAIRE =				0-180	15220.	80.5	100.0

IES SPACING CRITERIA: ADJACENT= 1.3 DIAGONAL= .9

SIGNIFICANCE OF THE TEST IS LIMITED TO THE DEGREE THAT THE TESTED SAMPLE IS REPRESENTATIVE. OTHER FACTORS AFFECT FIELD PERFORMANCE.

BALLABS CERTIFIED TEST REPORT NO.: 14170.0 DATE 06/13/08
PREPARED FOR: G-LIGHTING/GROSS CHANDELIER - ST. LOUIS, MISSOURI
DESCRIPTION: 6/40W BIAx CF 35"DIA TRAJECTORY BIDIRECT PENDANT LUMINAIRE
WHITE REFLECTOR IN OPEN TOP w/12"DIA WHITE DOME ACRYLIC LEN
3 AC ELECTRONICS BALLAST #EST-A40PBXS WATTS=266 REFL=90
CATALOG NBR: G29992-E1-2-P-3-072
LAMP TYPE : CFT40W/2G11/835 RATED LUMENS 3150. NBR. LAMPS:- 6



BALLABS CERTIFIED TEST REPORT NO.: 14170.0 DATE 06/13/08
 PREPARED FOR: G-LIGHTING/GROSS CHANDELIER - ST. LOUIS, MISSOURI
 DESCRIPTION: 6/40W BIAX CF 35"DIA TRAJECTORY BIDIRECT PENDANT LUMINAIRE
 WHITE REFLECTOR IN OPEN TOP w/12"DIA WHITE DOME ACRYLIC LEN
 3 AC ELECTRONICS BALLAST #EST-A40PBXS WATTS=266 REFL=90
 CATALOG NBR: G29992-E1-2-P-3-072
 LAMP TYPE : CFT40W/2G11/835 RATED LUMENS 3150. NBR. LAMPS:- 6

LUMINANCES-CD/SQ-M
 HORIZONTAL ANGLE

VERT ANGLE	HORIZONTAL ANGLE
	0
45	630.
55	713.
65	2037.
75	1915.
85	1847.

MAXIMUM BRIGHTNESSES NOT MEASURED

ZONAL CAVITY COEFFICIENTS OF UTILIZATION

EFFECTIVE FLOOR CAVITY REFLECTANCE=.20

CEILING	.80				.70				.50				.30				.10				.00																																																			
WALL	.70	.50	.30	.10	.70	.50	.30	.10	.50	.30	.10	.50	.30	.10	.50	.30	.10	.50	.30	.10	.50	.30	.10	.50	.30	.10	.50	.30	.10	.50	.30	.10																																								
RCR																																																																								
0	.77	.77	.77	.77	.66	.66	.66	.66	.46	.46	.46	.27	.27	.27	.10	.10	.10	.02	.77	.77	.77	.77	.66	.66	.66	.66	.46	.46	.46	.27	.27	.27	.10	.10	.10	.02	.77	.77	.77	.77	.66	.66	.66	.66	.46	.46	.46	.27	.27	.27	.10	.10	.10	.02	.77	.77	.77	.77	.66	.66	.66	.66	.46	.46	.46	.27	.27	.27	.10	.10	.10	.02
1	.70	.67	.64	.61	.60	.57	.55	.52	.39	.38	.37	.23	.23	.22	.08	.08	.08	.01	.70	.67	.64	.61	.60	.57	.55	.52	.39	.38	.37	.23	.23	.22	.08	.08	.08	.01	.70	.67	.64	.61	.60	.57	.55	.52	.39	.38	.37	.23	.23	.22	.08	.08	.08	.01	.70	.67	.64	.61	.60	.57	.55	.52	.39	.38	.37	.23	.23	.22	.08	.08	.08	.01
2	.63	.58	.53	.49	.54	.50	.46	.43	.34	.32	.30	.20	.19	.18	.07	.07	.06	.01	.63	.58	.53	.49	.54	.50	.46	.43	.34	.32	.30	.20	.19	.18	.07	.07	.06	.01	.63	.58	.53	.49	.54	.50	.46	.43	.34	.32	.30	.20	.19	.18	.07	.07	.06	.01	.63	.58	.53	.49	.54	.50	.46	.43	.34	.32	.30	.20	.19	.18	.07	.07	.06	.01
3	.58	.51	.45	.41	.49	.44	.39	.35	.30	.27	.25	.18	.16	.15	.06	.06	.05	.01	.58	.51	.45	.41	.49	.44	.39	.35	.30	.27	.25	.18	.16	.15	.06	.06	.05	.01	.58	.51	.45	.41	.49	.44	.39	.35	.30	.27	.25	.18	.16	.15	.06	.06	.05	.01	.58	.51	.45	.41	.49	.44	.39	.35	.30	.27	.25	.18	.16	.15	.06	.06	.05	.01
4	.53	.45	.39	.34	.45	.38	.34	.30	.27	.24	.21	.16	.14	.13	.06	.05	.05	.00	.53	.45	.39	.34	.45	.38	.34	.30	.27	.24	.21	.16	.14	.13	.06	.05	.05	.00	.53	.45	.39	.34	.45	.38	.34	.30	.27	.24	.21	.16	.14	.13	.06	.05	.05	.00	.53	.45	.39	.34	.45	.38	.34	.30	.27	.24	.21	.16	.14	.13	.06	.05	.05	.00
5	.48	.40	.34	.29	.41	.34	.29	.25	.24	.20	.18	.14	.12	.11	.05	.04	.04	.00	.48	.40	.34	.29	.41	.34	.29	.25	.24	.20	.18	.14	.12	.11	.05	.04	.04	.00	.48	.40	.34	.29	.41	.34	.29	.25	.24	.20	.18	.14	.12	.11	.05	.04	.04	.00	.48	.40	.34	.29	.41	.34	.29	.25	.24	.20	.18	.14	.12	.11	.05	.04	.04	.00
6	.44	.35	.29	.25	.38	.31	.26	.22	.21	.18	.16	.13	.11	.09	.04	.04	.03	.00	.44	.35	.29	.25	.38	.31	.26	.22	.21	.18	.16	.13	.11	.09	.04	.04	.03	.00	.44	.35	.29	.25	.38	.31	.26	.22	.21	.18	.16	.13	.11	.09	.04	.04	.03	.00	.44	.35	.29	.25	.38	.31	.26	.22	.21	.18	.16	.13	.11	.09	.04	.04	.03	.00
7	.41	.32	.26	.22	.35	.27	.23	.19	.19	.16	.14	.11	.10	.08	.04	.03	.03	.00	.41	.32	.26	.22	.35	.27	.23	.19	.19	.16	.14	.11	.10	.08	.04	.03	.03	.00	.41	.32	.26	.22	.35	.27	.23	.19	.19	.16	.14	.11	.10	.08	.04	.03	.03	.00	.41	.32	.26	.22	.35	.27	.23	.19	.19	.16	.14	.11	.10	.08	.04	.03	.03	.00
8	.38	.29	.23	.19	.32	.25	.20	.17	.17	.14	.12	.10	.09	.07	.04	.03	.03	.00	.38	.29	.23	.19	.32	.25	.20	.17	.17	.14	.12	.10	.09	.07	.04	.03	.03	.00	.38	.29	.23	.19	.32	.25	.20	.17	.17	.14	.12	.10	.09	.07	.04	.03	.03	.00	.38	.29	.23	.19	.32	.25	.20	.17	.17	.14	.12	.10	.09	.07	.04	.03	.03	.00
9	.35	.26	.21	.17	.30	.23	.18	.15	.16	.13	.11	.09	.08	.06	.03	.03	.02	.00	.35	.26	.21	.17	.30	.23	.18	.15	.16	.13	.11	.09	.08	.06	.03	.03	.02	.00	.35	.26	.21	.17	.30	.23	.18	.15	.16	.13	.11	.09	.08	.06	.03	.03	.02	.00	.35	.26	.21	.17	.30	.23	.18	.15	.16	.13	.11	.09	.08	.06	.03	.03	.02	.00
10	.33	.24	.19	.15	.28	.21	.16	.13	.15	.12	.10	.09	.07	.06	.03	.02	.02	.00	.33	.24	.19	.15	.28	.21	.16	.13	.15	.12	.10	.09	.07	.06	.03	.02	.02	.00	.33	.24	.19	.15	.28	.21	.16	.13	.15	.12	.10	.09	.07	.06	.03	.02	.02	.00	.33	.24	.19	.15	.28	.21	.16	.13	.15	.12	.10	.09	.07	.06	.03	.02	.02	.00

TESTED IN ACCORDANCE WITH CURRENT IES PROCEDURES