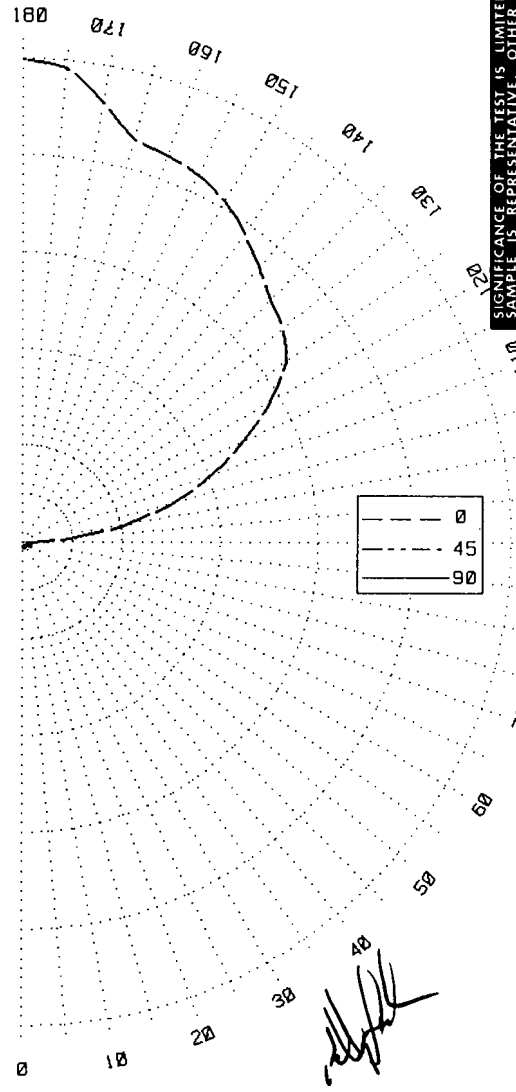


BALLABS CERTIFIED TEST REPORT NO.: 14171.0 DATE 06/13/08
 PREPARED FOR: G-LIGHTING/GROSS CHANDELIER - ST. LOUIS, MISSOURI
 DESCRIPTION: 6/40W BIAx CF 35"DIA TRAJECTORY BIDIRECT PENDANT LUMINAIRE
 WHITE REFL IN OPEN TOP w/12"DIA SATIN WHITE ACRYLIC CONE
 3 AC ELECTRONICS BALLAST #EST-A40PBXS WATTS=267 REFL=90%
 CATALOG NBR: G29992-E1-3-P-3-072
 LAMP TYPE : CFT40W/2G11/835 RATED LUMENS 3150. NBR. LAMPS:- 6

CANDLEPOWER DISTRIBUTION

VERT ANG	AVERAGE CANDELA	ZONAL LUMENS
0	44.	
5	44.	4.2
10	44.	
15	42.	11.9
20	41.	
25	41.	18.9
30	39.	
35	37.	23.3
40	34.	
45	33.	25.2
50	30.	
55	33.	29.6
60	60.	
65	79.	78.7
70	69.	
75	58.	61.0
80	47.	
85	40.	43.4
90	69.	
95	414.	451.2
100	925.	
105	1410.	1492.1
110	1841.	
115	2250.	2233.1
120	2636.	
125	2961.	2656.7
130	3127.	
135	3224.	2496.9
140	3379.	
145	3550.	2230.0
150	3701.	
155	3810.	1763.3
160	3867.	
165	3921.	1111.3
170	4195.	
175	4471.	426.8
180	4541.	



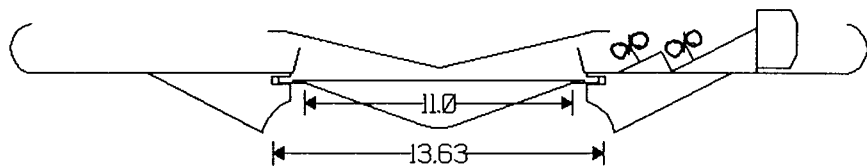
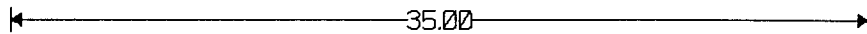
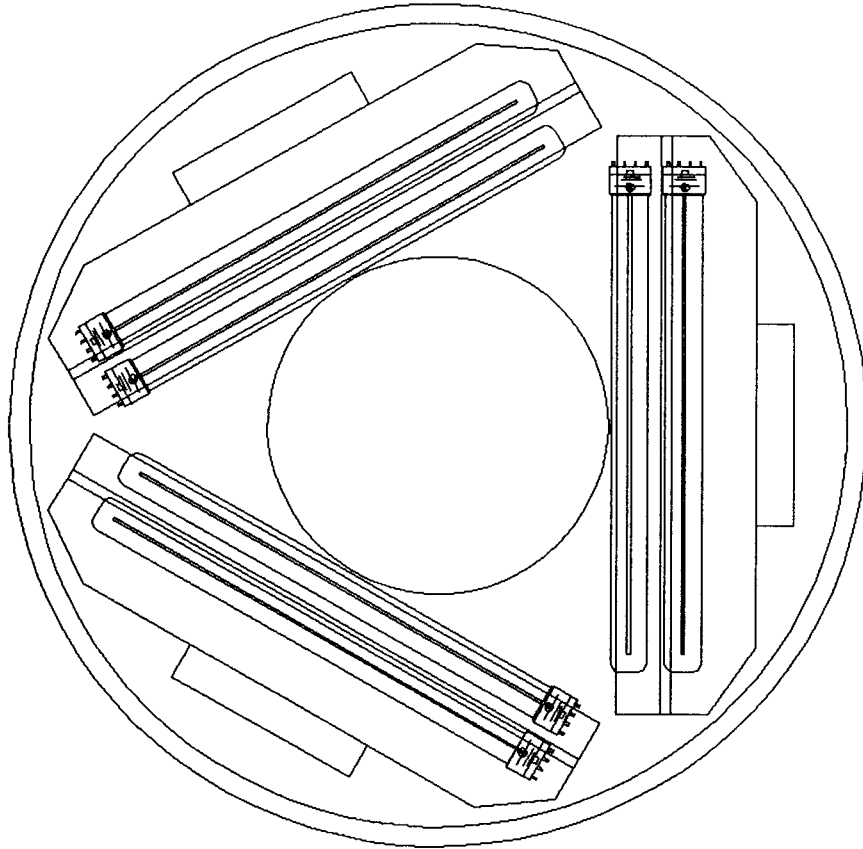
SIGNIFICANCE OF THE TEST IS LIMITED TO THE DEGREE THAT THE TESTED SAMPLE IS REPRESENTATIVE. OTHER FACTORS AFFECT FIELD PERFORMANCE.

LUMEN SUMMARY

ZONE	LUMENS	%LAMP	%FIXT	ZONE	LUMENS	%LAMP	%FIXT
0- 30	35.	.2	.2	90-120	4176.	22.1	27.6
0- 40	58.	.3	.4	90-130	6833.	36.2	45.1
0- 60	113.	.6	.7	90-150	11560.	61.2	76.3
0- 90	296.	1.6	2.0	90-180	14861.	78.6	98.0
TOTAL LUMINAIRE =				0-180	15158.	80.2	100.0

IES SPACING CRITERIA: ADJACENT= 1.3 DIAGONAL= .9

BALLABS CERTIFIED TEST REPORT NO.: 14171.0 DATE 06/13/08
PREPARED FOR: G-LIGHTING/GROSS CHANDELIER - ST. LOUIS, MISSOURI
DESCRIPTION: 6/40W BIAX CF 35"DIA TRAJECTORY BIDIRECT PENDANT LUMINAIRE
WHITE REFL IN OPEN TOP w/12"DIA SATIN WHITE ACRYLIC CONE
3 AC ELECTRONICS BALLAST #EST-A40PBXS WATTS=267 REFL=90%
CATALOG NBR: G29992-E1-3-P-3-072
LAMP TYPE : CFT40W/2G11/835 RATED LUMENS 3150. NBR. LAMPS:- 6



BALLABS CERTIFIED TEST REPORT NO.: 14171.0 DATE 06/13/08
 PREPARED FOR: G-LIGHTING/GROSS CHANDELIER - ST. LOUIS, MISSOURI
 DESCRIPTION: 6/40W BIAx CF 35"DIA TRAJECTORY BIDIRECT PENDANT LUMINAIRE
 WHITE REFL IN OPEN TOP w/12"DIA SATIN WHITE ACRYLIC CONE
 3 AC ELECTRONICS BALLAST #EST-A40PBXS WATTS=267 REFL=90%
 CATALOG NBR: G29992-E1-3-P-3-072
 LAMP TYPE : CFT40W/2G11/835 RATED LUMENS 3150. NBR. LAMPS:- 6

LUMINANCES-CD/SQ-M
 HORIZONTAL ANGLE

VERT ANGLE 0
 45 617.
 55 714.
 65 2067.
 75 1967.
 85 2054.

MAXIMUM BRIGHTNESSES NOT MEASURED

ZONAL CAVITY COEFFICIENTS OF UTILIZATION

EFFECTIVE FLOOR CAVITY REFLECTANCE=.20

CEILING	.80				.70				.50				.30				.10				.00
WALL	.70	.50	.30	.10	.70	.50	.30	.10	.50	.30	.10	.50	.30	.10	.50	.30	.10	.50	.30	.10	.00
RCR																					
0	.77	.77	.77	.77	.66	.66	.66	.66	.45	.45	.45	.27	.27	.27	.10	.10	.10	.10	.02		
1	.70	.66	.63	.61	.60	.57	.54	.52	.39	.38	.36	.23	.22	.22	.08	.08	.08	.08	.01		
2	.63	.58	.53	.49	.54	.49	.46	.43	.34	.32	.30	.20	.19	.18	.07	.07	.06	.06	.01		
3	.57	.50	.45	.41	.49	.43	.39	.35	.30	.27	.25	.18	.16	.15	.06	.06	.05	.05	.01		
4	.52	.44	.39	.34	.45	.38	.33	.30	.26	.23	.21	.16	.14	.13	.05	.05	.04	.04	.00		
5	.48	.39	.33	.29	.41	.34	.29	.25	.24	.20	.18	.14	.12	.11	.05	.04	.04	.04	.00		
6	.44	.35	.29	.25	.38	.30	.25	.22	.21	.18	.16	.12	.11	.09	.04	.04	.03	.03	.00		
7	.41	.32	.26	.22	.35	.27	.23	.19	.19	.16	.14	.11	.10	.08	.04	.03	.03	.03	.00		
8	.38	.29	.23	.19	.32	.25	.20	.17	.17	.14	.12	.10	.09	.07	.04	.03	.03	.03	.00		
9	.35	.26	.21	.17	.30	.23	.18	.15	.16	.13	.11	.09	.08	.06	.03	.03	.02	.02	.00		
10	.33	.24	.19	.15	.28	.21	.16	.13	.15	.12	.10	.09	.07	.06	.03	.02	.02	.02	.00		

TESTED IN ACCORDANCE WITH CURRENT IES PROCEDURES