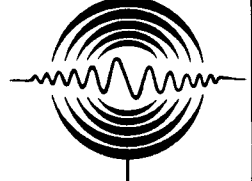


BUILDING ACOUSTICS & LIGHTING LABORATORIES, INC.

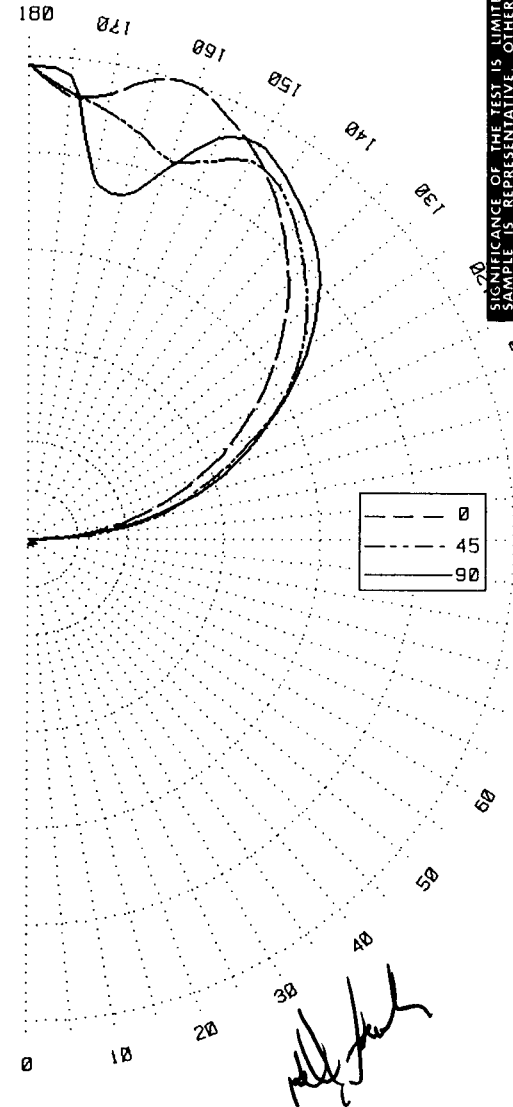
1618 HEADLAND DR.
 FENTON, MO 63026
 (636) - 343-6006
 (636) - 343-6051 FAX



BALLABS CERTIFIED TEST REPORT NO.: 14172.0 DATE 06/27/08
 PREPARED FOR: G-LIGHTING/GROSS CHANDELIER - ST. LOUIS, MISSOURI
 DESCRIPTION: 4/50W BIAx CF 43"DIA TRAJECTORy BIDIRECT PENDANT LUMINAIRE
 WHITE REFL-OPEN TOP w/12"DIA SATIN WHITE BOWL ACRYLIC LENS
 2 AC ELECTRONICS BALLAST #TSD-UV55PBXMS WATTS=260 REFL=90
 CATALOG NBR: G29993-G1-2-P-3-072
 LAMP TYPE : FT50W/2G11/35/RS RATED LUMENS 4000. NBR. LAMPS:- 4

CANDLEPOWER DISTRIBUTION

VERT ANG	HORIZONTAL ANGLE					ZONAL LUMENS
	0	22.5	45	67.5	90	
0	40.	40.	40.	40.	40.	
5	42.	40.	40.	40.	40.	3.8
10	41.	40.	39.	38.	39.	
15	40.	39.	38.	38.	38.	10.9
20	38.	38.	38.	37.	37.	
25	36.	36.	35.	35.	35.	16.4
30	35.	33.	33.	33.	33.	
35	33.	32.	33.	32.	32.	20.3
40	32.	31.	31.	31.	31.	
45	48.	46.	47.	45.	46.	35.8
50	52.	52.	52.	52.	52.	
55	48.	47.	47.	46.	47.	42.1
60	42.	42.	42.	42.	42.	
65	38.	37.	38.	37.	37.	37.1
70	31.	30.	30.	31.	30.	
75	22.	21.	22.	22.	22.	23.0
80	15.	14.	15.	16.	15.	
85	11.	11.	11.	12.	11.	12.3
90	45.	73.	81.	67.	66.	
95	338.	497.	507.	397.	393.	481.8
100	682.	847.	938.	863.	847.	
105	997.	1173.	1226.	1279.	1272.	1272.8
110	1318.	1491.	1539.	1582.	1621.	
115	1630.	1786.	1889.	1891.	1926.	1822.4
120	1930.	2055.	2222.	2208.	2247.	
125	2205.	2302.	2476.	2515.	2546.	2168.6
130	2471.	2541.	2695.	2761.	2808.	
135	2725.	2768.	2887.	2972.	3021.	2226.5
140	2948.	2983.	3072.	3145.	3177.	
145	3161.	3166.	3225.	3283.	3306.	2027.1
150	3338.	3342.	3270.	3383.	3411.	
155	3480.	3409.	3122.	3161.	3311.	1514.4
160	3607.	3429.	3014.	2865.	2949.	
165	3567.	3454.	3135.	2826.	2670.	888.2
170	3383.	3332.	3254.	2964.	2738.	
175	3331.	3314.	3360.	3358.	3487.	320.8
180	3545.	3545.	3545.	3545.	3545.	



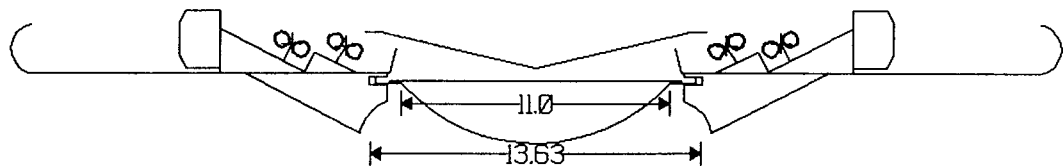
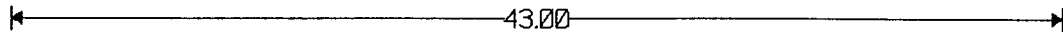
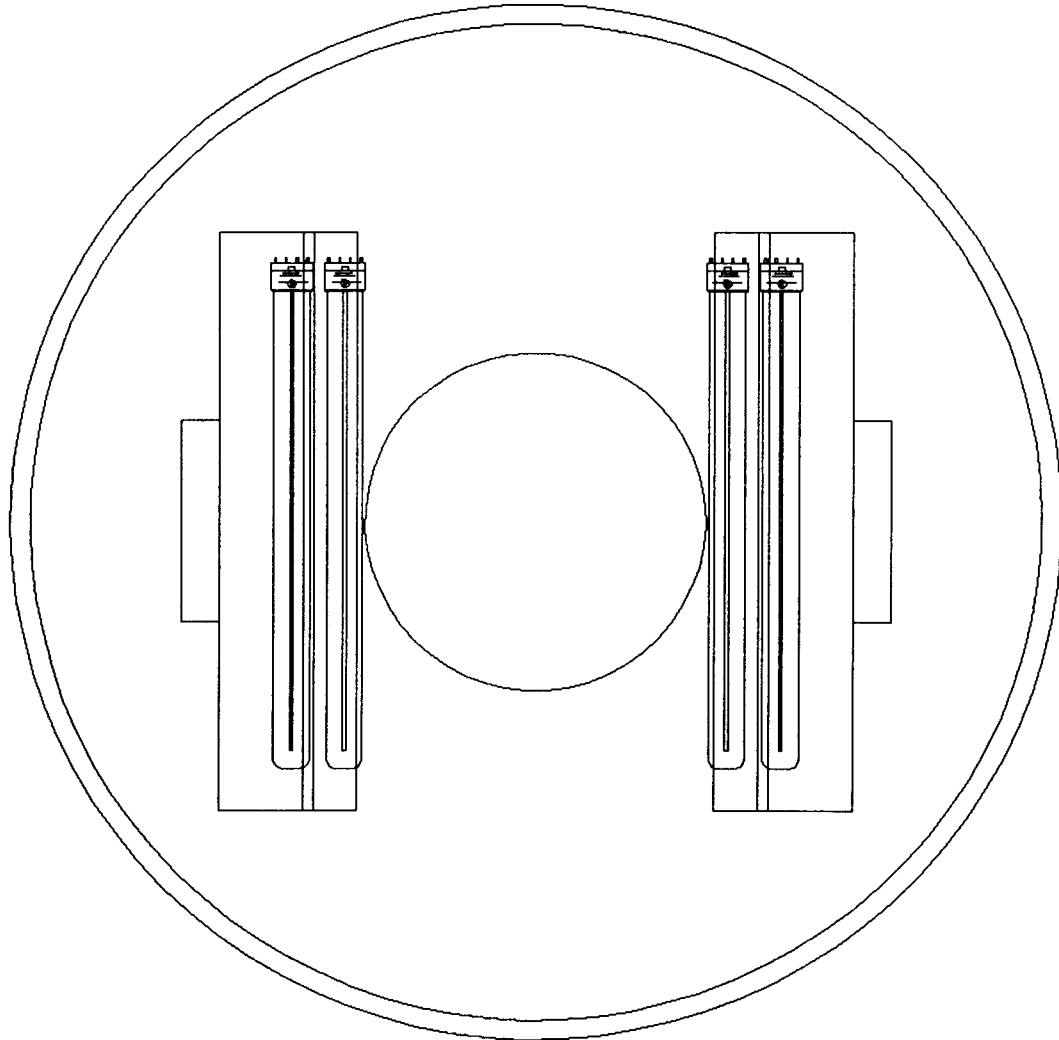
LUMEN SUMMARY

ZONE	LUMENS	%LAMP	%FIXT	ZONE	LUMENS	%LAMP	%FIXT
0- 30	31.	.2	.2	90-120	3577.	22.4	27.7
0- 40	51.	.3	.4	90-130	5746.	35.9	44.5
0- 60	129.	.8	1.0	90-150	9999.	62.5	77.4
0- 90	202.	1.3	1.6	90-180	12723.	79.5	98.4
TOTAL LUMINAIRE = 0-180					12924.	80.8	100.0

IES SPACING CRITERIA: END= 1.3 DIAGONAL = 1.3 CROSS= 1.2

SIGNIFICANCE OF THE TEST IS LIMITED TO THE DEGREE THAT THE TESTED SAMPLE IS REPRESENTATIVE. OTHER FACTORS AFFECT FIELD PERFORMANCE.

BALLABS CERTIFIED TEST REPORT NO.: 14172.0 DATE 06/27/08
PREPARED FOR: G-LIGHTING/GROSS CHANDELIER - ST. LOUIS, MISSOURI
DESCRIPTION: 4/50W BIAX CF 43"DIA TRAJECTORY BIDIRECT PENDANT LUMINAIRE
WHITE REFL-OPEN TOP w/12"DIA SATIN WHITE BOWL ACRYLIC LENS
2 AC ELECTRONICS BALLAST #TSD-UV55PBXMS WATTS=260 REFL=90
CATALOG NBR: G29993-G1-2-P-3-072
LAMP TYPE : FT50W/2G11/35/RS RATED LUMENS 4000. NBR. LAMPS:- 4



BALLABS CERTIFIED TEST REPORT NO.: 14172.0 DATE 06/27/08
 PREPARED FOR: G-LIGHTING/GROSS CHANDELIER - ST. LOUIS, MISSOURI
 DESCRIPTION: 4/50W BIAX CF 43"DIA TRAJECTORY BIDIRECT PENDANT LUMINAIRE
 WHITE REFL-OPEN TOP w/12"DIA SATIN WHITE BOWL ACRYLIC LENS
 2 AC ELECTRONICS BALLAST #TSD-UV55PBXMS WATTS=260 REFL=90
 CATALOG NBR: G29993-G1-2-P-3-072
 LAMP TYPE : FT50W/2G11/35/RS RATED LUMENS 4000. NBR. LAMPS:- 4

LUMINANCES-CD/SQ-M
HORIZONTAL ANGLE

VERT ANGLE	0	45	90
45	923.	714.	699.
55	1138.	808.	808.
65	1223.	779.	759.
75	1156.	581.	581.
85	1716.	426.	426.

MAXIMUM BRIGHTNESSES NOT MEASURED

ZONAL CAVITY COEFFICIENTS OF UTILIZATION

EFFECTIVE FLOOR CAVITY REFLECTANCE=.20

CEILING	.80		.70		.50		.30		.10		.00							
WALL	.70	.50	.30	.10	.70	.50	.30	.10	.50	.30	.10	.50	.30	.10	.50	.30	.10	.00
RCR																		
0	.77	.77	.77	.77	.66	.66	.66	.66	.46	.46	.46	.27	.27	.27	.09	.09	.09	.01
1	.70	.67	.64	.61	.60	.57	.55	.53	.40	.38	.37	.23	.22	.22	.08	.08	.08	.01
2	.64	.58	.54	.50	.54	.50	.46	.43	.34	.32	.30	.20	.19	.18	.07	.07	.06	.01
3	.58	.51	.45	.41	.49	.44	.39	.36	.30	.28	.25	.18	.16	.15	.06	.06	.05	.01
4	.53	.45	.39	.35	.45	.39	.34	.30	.27	.24	.21	.16	.14	.13	.06	.05	.05	.01
5	.48	.40	.34	.29	.41	.34	.29	.26	.24	.21	.18	.14	.12	.11	.05	.04	.04	.00
6	.45	.36	.30	.25	.38	.31	.26	.22	.21	.18	.16	.13	.11	.10	.04	.04	.03	.00
7	.41	.32	.26	.22	.35	.28	.23	.19	.19	.16	.14	.11	.10	.08	.04	.03	.03	.00
8	.38	.29	.23	.20	.32	.25	.20	.17	.17	.14	.12	.10	.09	.07	.04	.03	.03	.00
9	.35	.26	.21	.17	.30	.23	.18	.15	.16	.13	.11	.09	.08	.07	.03	.03	.02	.00
10	.33	.24	.19	.16	.28	.21	.17	.14	.15	.12	.10	.09	.07	.06	.03	.02	.02	.00

TESTED IN ACCORDANCE WITH CURRENT IES PROCEDURES