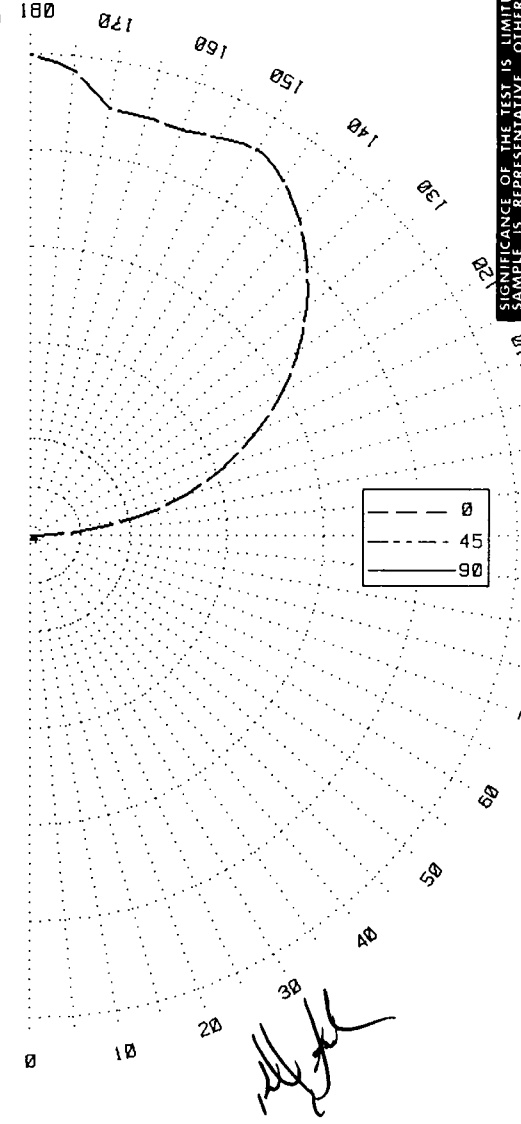


BALLABS CERTIFIED TEST REPORT NO.: 14175.0 DATE 06/18/08  
 PREPARED FOR: G-LIGHTING/GROSS CHANDELIER - ST. LOUIS, MISSOURI  
 DESCRIPTION: 9/55W BIAx 46"DIA ACCELERATION BIDIRECT PENDANT LUMINAIRE  
 WHITE REFL IN OPEN TOP w/12"DIA SATIN WHITE ACRYLIC BOWL  
 3 WORKHORSE BALLAST #WH8-120-L WATTS=475 REFL=90%  
 CATALOG NBR: G299983-L1-2-P-3-072  
 LAMP TYPE : CFT55W/2G11/835 RATED LUMENS 4800. NBR. LAMPS:- 9

### CANDLEPOWER DISTRIBUTION

VERT ANG	AVERAGE CANDELA	ZONAL LUMENS
0	71.	6.7
5	70.	19.0
10	70.	28.2
15	67.	35.3
20	64.	43.6
25	61.	59.5
30	58.	82.6
35	56.	94.7
40	54.	82.6
45	56.	59.5
50	98.	32.5
55	106.	888.8
60	94.	3037.1
65	83.	4529.6
70	71.	5376.0
75	56.	5542.9
80	42.	5062.9
85	30.	3773.9
90	104.	2280.6
95	815.	829.4
100	1879.	
105	2871.	
110	3763.	
115	4563.	
120	5318.	
125	5992.	
130	6606.	
135	7157.	
140	7643.	
145	8059.	
150	8282.	
155	8153.	
160	8027.	
165	8045.	
170	8086.	
175	8689.	
180	8940.	



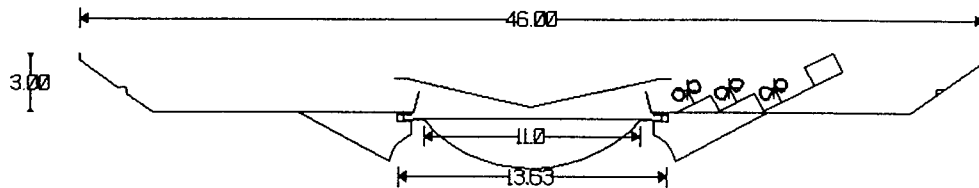
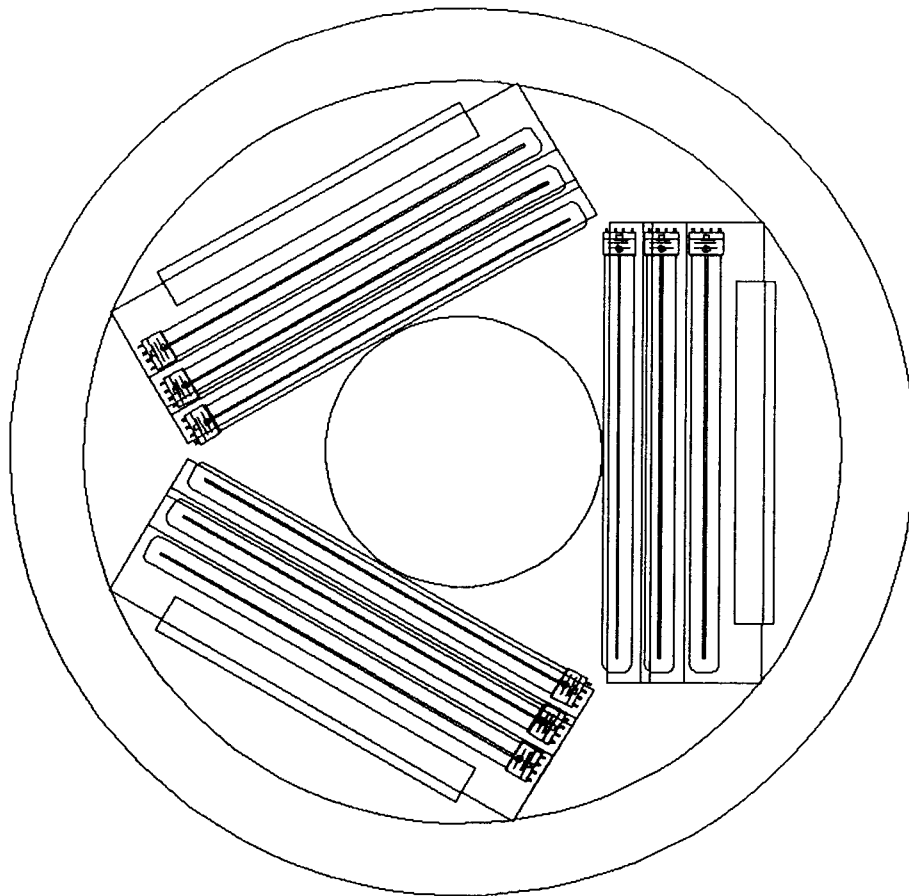
SIGNIFICANCE OF THE TEST IS LIMITED TO THE DEGREE THAT THE TESTED SAMPLE IS REPRESENTATIVE. OTHER FACTORS AFFECT FIELD PERFORMANCE.

### LUMEN SUMMARY

ZONE	LUMENS	%LAMP	%FIXT	ZONE	LUMENS	%LAMP	%FIXT
0- 30	54.	.1	.2	90-120	8455.	19.6	26.7
0- 40	89.	.2	.3	90-130	13832.	32.0	43.6
0- 60	227.	.5	.7	90-150	24437.	56.6	77.0
0- 90	402.	.9	1.3	90-180	31321.	72.5	98.7
TOTAL LUMINAIRE =				0-180	31723.	73.4	100.0

IES SPACING CRITERIA: ADJACENT= 1.2 DIAGONAL= .9

BALLABS CERTIFIED TEST REPORT NO.: 14175.0 DATE 06/18/08  
PREPARED FOR: G-LIGHTING/GROSS CHANDELIER - ST. LOUIS, MISSOURI  
DESCRIPTION: 9/55W BIAx 46"DIA ACCELERATION BIDIRECT PENDANT LUMINAIRE  
WHITE REFL IN OPEN TOP w/12"DIA SATIN WHITE ACRYLIC BOWL  
3 WORKHORSE BALLAST #WH8-120-L WATTS=475 REFL=90%  
CATALOG NBR: G299983-L1-2-P-3-072  
LAMP TYPE : CFT55W/2G11/835 RATED LUMENS 4800. NBR. LAMPS:- 9



BALLABS CERTIFIED TEST REPORT NO.: 14175.0 DATE 06/18/08  
 PREPARED FOR: G-LIGHTING/GROSS CHANDELIER - ST. LOUIS, MISSOURI  
 DESCRIPTION: 9/55W BIAX 46"DIA ACCELERATION BIDIRECT PENDANT LUMINAIRE  
 WHITE REFL IN OPEN TOP w/12"DIA SATIN WHITE ACRYLIC BOWL  
 3 WORKHORSE BALLAST #WH8-120-L WATTS=475 REFL=90%  
 CATALOG NBR: G299983-L1-2-P-3-072  
 LAMP TYPE : CFT55W/2G11/835 RATED LUMENS 4800. NBR. LAMPS:- 9  
 \*\*\*\*\*

LUMINANCES-CD/SQ-M  
 HORIZONTAL ANGLE

VERT ANGLE	HORIZONTAL ANGLE
	0
45	855.
55	1814.
65	1708.
75	1485.
85	1151.

\*\*MAXIMUM BRIGHTNESSES NOT MEASURED\*\*

\*\*\*\*\*

ZONAL CAVITY COEFFICIENTS OF UTILIZATION

EFFECTIVE FLOOR CAVITY REFLECTANCE=.20

CEILING	.80		.70		.50		.30		.10		.00							
WALL	.70	.50	.30	.10	.70	.50	.30	.10	.50	.30	.10	.50	.30	.10	.50	.30	.10	.00
RCR																		
0	.70	.70	.70	.70	.60	.60	.60	.60	.41	.41	.41	.24	.24	.24	.08	.08	.08	.01
1	.64	.61	.58	.55	.54	.52	.50	.48	.36	.35	.33	.21	.20	.20	.07	.07	.07	.01
2	.58	.53	.49	.45	.49	.45	.42	.39	.31	.29	.27	.18	.17	.16	.06	.06	.06	.01
3	.53	.46	.41	.37	.45	.40	.36	.32	.27	.25	.23	.16	.15	.14	.06	.05	.05	.00
4	.48	.41	.35	.31	.41	.35	.31	.27	.24	.21	.19	.14	.13	.12	.05	.04	.04	.00
5	.44	.36	.31	.27	.37	.31	.27	.23	.22	.19	.17	.13	.11	.10	.04	.04	.03	.00
6	.40	.32	.27	.23	.34	.28	.23	.20	.19	.16	.14	.11	.10	.09	.04	.03	.03	.00
7	.37	.29	.24	.20	.32	.25	.21	.18	.17	.15	.12	.10	.09	.08	.04	.03	.03	.00
8	.35	.26	.21	.18	.29	.23	.18	.15	.16	.13	.11	.09	.08	.07	.03	.03	.02	.00
9	.32	.24	.19	.16	.27	.21	.17	.14	.14	.12	.10	.09	.07	.06	.03	.02	.02	.00
10	.30	.22	.17	.14	.26	.19	.15	.12	.13	.11	.09	.08	.06	.05	.03	.02	.02	.00

TESTED IN ACCORDANCE WITH CURRENT IES PROCEDURES