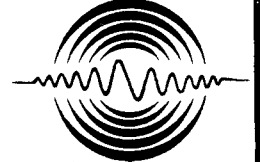


# BUILDING ACOUSTICS & LIGHTING LABORATORIES, INC.

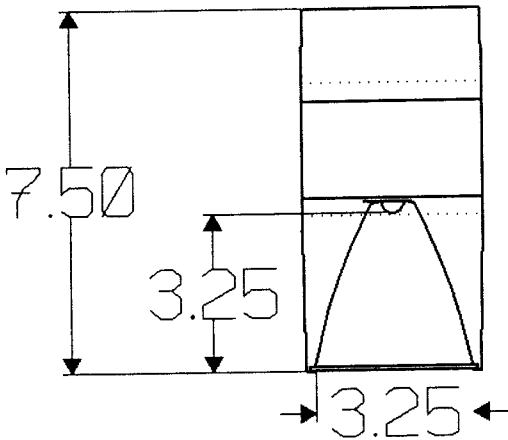
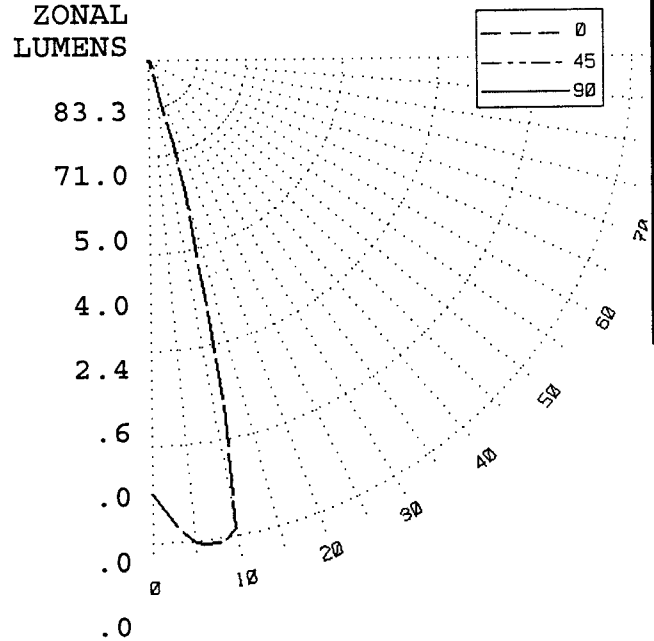
1618 HEADLAND DR.  
 FENTON, MO 63026  
 (636) - 343-6006  
 (636) - 343-6051 FAX



BALLABS CERTIFIED TEST REPORT NO.: 16123.0 DATE 05/10/11  
 PREPARED FOR: G-LIGHTING/GROSS CHANDELIER - ST. LOUIS, MISSOURI  
 DESCRIPTION: GE VIO LED 7.5" TALL 3.625" DIA CYLINDER WALL SCONCE  
 CLOSED CAP UP & 20 DEG FACETED SPEC REFL-FRESNEL LENS DOWN  
 THOMAS RESEARCH #LED12W-36-C0350 WATTS=8.45  
 CATALOG NBR: GL-6543-CC-R2  
 LAMP TYPE : VIO/7\_2W/835 RATED LUMENS NA. NBR. LAMPS:- 1

## CANDLEPOWER DISTRIBUTION

VERT ANG	AVERAGE CANDELA
0	784.
5	873.
10	860.
15	251.
20	22.
25	11.
30	10.
35	6.
40	5.
45	3.
50	3.
55	1.
60	0.
65	0.
70	0.
75	0.
80	0.
85	0.
90	0.



*[Handwritten signature]*

## LUMEN SUMMARY

ZONE	LUMENS	%LAMP	%FIXT	ZONE	LUMENS	%LAMP	%FIXT
0- 30	159.	NA.	95.8	90-120	0.	NA.	.0
0- 40	163.	NA.	98.2	90-130	0.	NA.	.0
0- 60	166.	NA.	100.0	90-150	0.	NA.	.0
0- 90	166.	NA.	100.0	90-180	0.	NA.	.0
TOTAL LUMINAIRE =				0-180	166.	NA.	100.0

IES SPACING CRITERIA: ADJACENT= .5 DIAGONAL= .3

SIGNIFICANCE OF THE TEST IS LIMITED TO THE DEGREE THAT THE TESTED SAMPLE IS REPRESENTATIVE. OTHER FACTORS AFFECT FIELD PERFORMANCE.

BALLABS CERTIFIED TEST REPORT NO.: 16123.0 DATE 05/10/11  
PREPARED FOR: G-LIGHTING/GROSS CHANDELIER - ST. LOUIS, MISSOURI  
DESCRIPTION: GE VIO LED 7.5" TALL 3.625" DIA CYLINDER WALL SCONCE  
CLOSED CAP UP & 20 DEG FACETED SPEC REFL-FRESNEL LENS DOWN  
THOMAS RESEARCH #LED12W-36-C0350 WATTS=8.45

CATALOG NBR: GL-6543-CC-R2

LAMP TYPE : VIO/7\_2W/835 RATED LUMENS NA. NBR. LAMPS:- 1

\*\*\*\*\*

LUMINANCES-CD/SQ-M  
HORIZONTAL ANGLE

VERT ANGLE	
	0
45	810.
55	200.
65	0.
75	0.
85	0.

\*\*MAXIMUM BRIGHTNESSES NOT MEASURED\*\*

\*\*\*\*\*

LUMINOUS EFFICACY (LUMENS / WATTS) = 19.7

BEAM ANGLE = 26.9

TESTED IN ACCORDANCE WITH CURRENT IES STANDARDS  
UTILIZING ABSOLUTE PHOTOMETRY PER LM-79-08