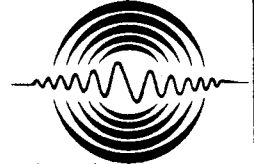


# BUILDING ACOUSTICS & LIGHTING LABORATORIES, INC.

1618 HEADLAND DR.  
 FENTON, MO 63026  
 (636) - 343-6006  
 (636) - 343-6051 FAX

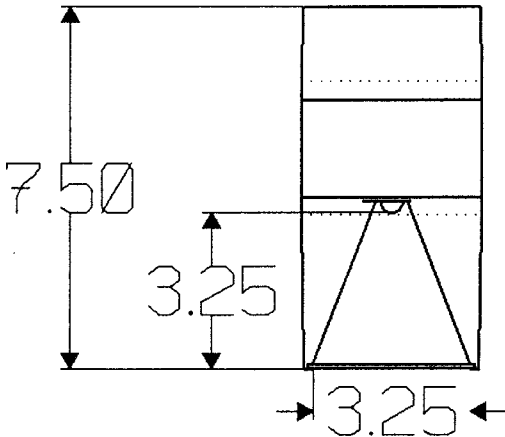
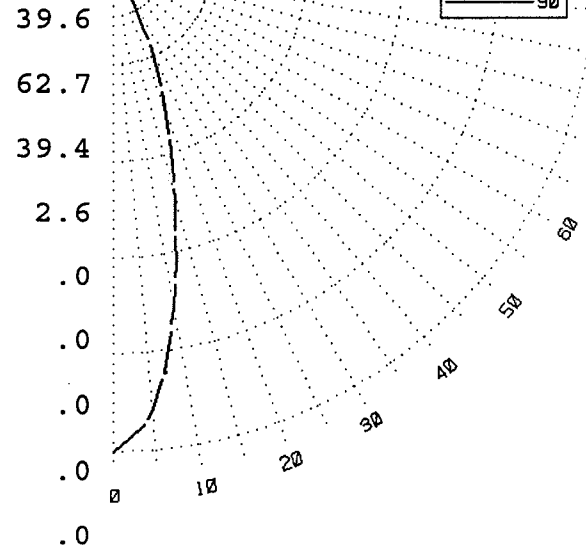


BALLABS CERTIFIED TEST REPORT NO.: 16125.0 DATE 05/10/11  
 PREPARED FOR: G-LIGHTING/GROSS CHANDELIER - ST. LOUIS, MISSOURI  
 DESCRIPTION: GE VIO LED 7.5" TALL 3.625" DIA CYLINDER WALL SCONCE  
 CLOSED CAP UP & 30 DEG BRIGHT DIP REFL-CLEAR LENS DOWN  
 THOMAS RESEARCH #LED12W-36-C0350 WATTS=8.42  
 CATALOG NBR: GL-6543-CC-R3  
 LAMP TYPE : VIO/7\_2W/835 RATED LUMENS NA. NBR. LAMPS:- 1

## CANDLEPOWER DISTRIBUTION

VERT ANG	AVERAGE CANDELA
0	449.
5	415.
10	322.
15	221.
20	145.
25	85.
30	34.
35	4.
40	2.
45	0.
50	0.
55	0.
60	0.
65	0.
70	0.
75	0.
80	0.
85	0.
90	0.

## ZONAL LUMENS



*Handwritten signature*

## LUMEN SUMMARY

ZONE	LUMENS	%LAMP	%FIXT	ZONE	LUMENS	%LAMP	%FIXT
0- 30	142.	NA.	98.2	90-120	0.	NA.	.0
0- 40	144.	NA.	100.0	90-130	0.	NA.	.0
0- 60	144.	NA.	100.0	90-150	0.	NA.	.0
0- 90	144.	NA.	100.0	90-180	0.	NA.	.0
TOTAL LUMINAIRE =				0-180	144.	NA.	100.0

IES SPACING CRITERIA: ADJACENT= .5 DIAGONAL= .3

SIGNIFICANCE OF THE TEST IS LIMITED TO THE DEGREE THAT THE TESTED SAMPLE IS REPRESENTATIVE. OTHER FACTORS AFFECT FIELD PERFORMANCE.

BALLABS CERTIFIED TEST REPORT NO.: 16125.0 DATE 05/10/11  
PREPARED FOR: G-LIGHTING/GROSS CHANDELIER - ST. LOUIS, MISSOURI  
DESCRIPTION: GE VIO LED 7.5"TALL 3.625"DIA CYLINDER WALL SCONCE  
CLOSED CAP UP & 30 DEG BRIGHT DIP REFL-CLEAR LENS DOWN  
THOMAS RESEARCH #LED12W-36-C0350 WATTS=8.42  
CATALOG NBR: GL-6543-CC-R3  
LAMP TYPE : VIO/7\_2W/835 RATED LUMENS NA. NBR. LAMPS:- 1

LUMINOUS EFFICACY (LUMENS / WATTS) = 17.1

BEAM ANGLE = 29.7

TESTED IN ACCORDANCE WITH CURRENT IES STANDARDS  
UTILIZING ABSOLUTE PHOTOMETRY PER LM-79-08