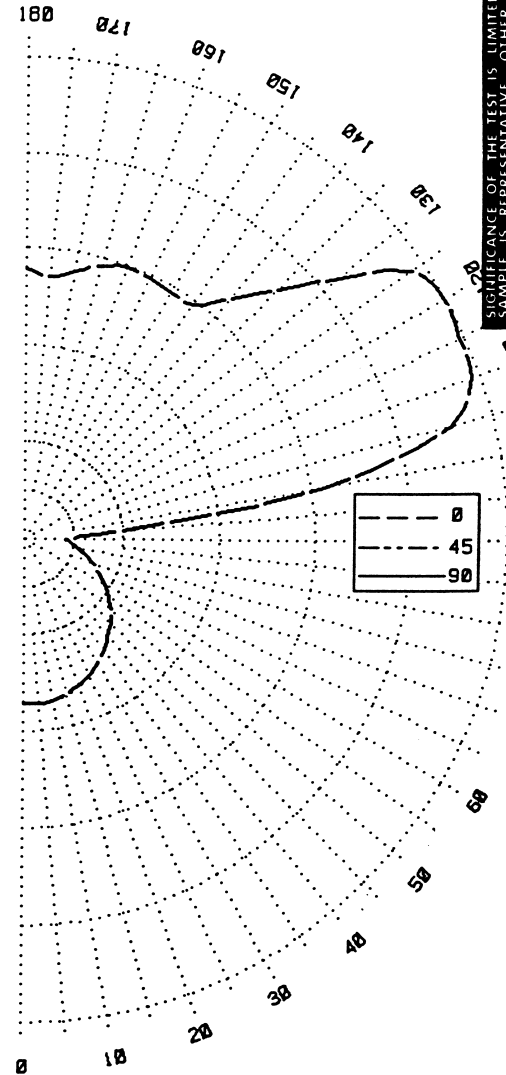


BALLABS CERTIFIED TEST REPORT NO.: 8426.1 DATE 08/29/95
 PREPARED FOR: GROSS CHANDELIER COMPANY - ST. LOUIS, MISSOURI
 DESCRIPTION: 1/175W CTD ED28 LAMP 30"DIA DIR/INDIRECT LUMINAIRE
 CLR/FROSTED/LENS w/WHITE REFLECTOR
 WHITE ACRYLIC BOWL w/OPEN TOP
 CATALOG NBR: *** **GENERATED FROM #8426.0***
 LAMP TYPE : M57PF-175 LUMENS 15000. NBR. LAMPS:- 1

CANDLEPOWER DISTRIBUTION

VERT ANG	AVERAGE CANDELA	ZONAL LUMENS
0	549.	
5	554.	52.9
10	548.	
15	541.	153.4
20	521.	
25	508.	235.3
30	483.	
35	458.	287.7
40	428.	
45	402.	311.2
50	374.	
55	336.	301.8
60	305.	
65	269.	267.3
70	241.	
75	209.	221.5
80	180.	
85	153.	167.5
90	131.	
95	283.	308.5
100	998.	
105	1476.	1561.5
110	1584.	
115	1598.	1586.0
120	1612.	
125	1568.	1406.7
130	1360.	
135	1182.	915.1
140	1048.	
145	956.	600.3
150	948.	
155	956.	442.6
160	963.	
165	939.	266.2
170	904.	
175	875.	83.6
180	897.	



Handwritten signature

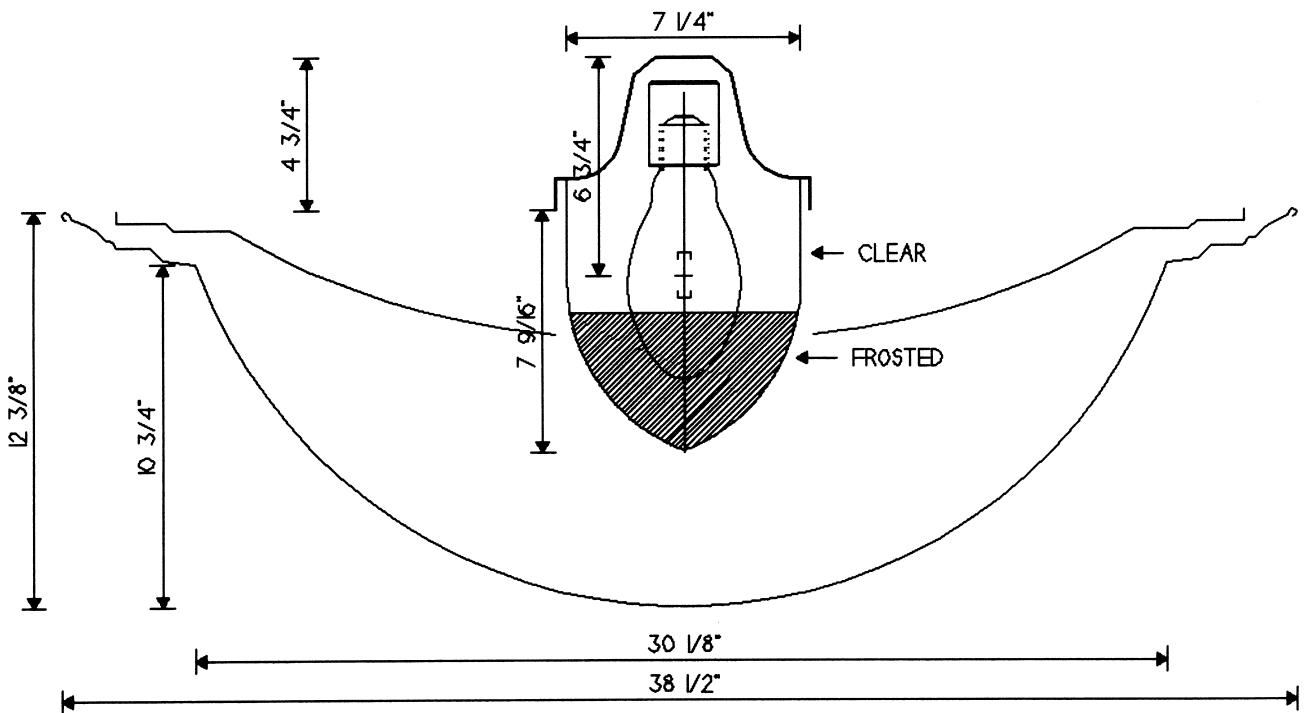
LUMEN SUMMARY

ZONE	LUMENS	%LAMP	%FIXT	ZONE	LUMENS	%LAMP	%FIXT
0- 30	442.	2.9	4.8	90-120	3456.	23.0	37.7
0- 40	729.	4.9	8.0	90-130	4863.	32.4	53.0
0- 60	1342.	8.9	14.6	90-150	6378.	42.5	69.6
0- 90	1999.	13.3	21.8	90-180	7171.	47.8	78.2
TOTAL LUMINAIRE =				0-180	9169.	61.1	100.0

IES SPACING CRITERIA: ADJACENT= 1.3 DIAGONAL= .9

SIGNIFICANCE OF THE TEST IS LIMITED TO THE DEGREE THAT THE TESTED SAMPLE IS REPRESENTATIVE OTHER FACTORS AFFECT FIELD PERFORMANCE.

BALLABS CERTIFIED TEST REPORT NO.: 8426.1 DATE 08/29/95
PREPARED FOR: GROSS CHANDELIER COMPANY - ST. LOUIS, MISSOURI
DESCRIPTION: 1/175W CTD ED28 LAMP 30"DIA DIR/INDIRECT LUMINAIRE
CLR/FROSTED/LENS w/WHITE REFLECTOR
WHITE ACRYLIC BOWL w/OPEN TOP
CATALOG NBR: *** **GENERATED FROM #8426.0***
LAMP TYPE : M57PF-175 LUMENS 15000. NBR. LAMPS:- 1



Handwritten signature

BALLABS CERTIFIED TEST REPORT NO.: 8426.1 DATE 08/29/95
 PREPARED FOR: GROSS CHANDELIER COMPANY - ST. LOUIS, MISSOURI
 DESCRIPTION: 1/175W CTD ED28 LAMP 30"DIA DIR/INDIRECT LUMINAIRE
 CLR/FROSTED/LENS w/WHITE REFLECTOR
 WHITE ACRYLIC BOWL w/OPEN TOP
 CATALOG NBR: *** **GENERATED FROM #8426.0***
 LAMP TYPE : M57PF-175 LUMENS 15000. NBR. LAMPS:- 1

ZONAL CAVITY COEFFICIENTS OF UTILIZATION

EFFECTIVE FLOOR CAVITY REFLECTANCE=.20

CEILING	.80		.70		.50		.30		.10		.00							
WALL	.70	.50	.30	.10	.70	.50	.30	.10	.50	.30	.10	.50	.30	.10	.50	.30	.10	.00
RCR																		
0	.61	.61	.61	.61	.54	.54	.54	.54	.41	.41	.41	.29	.29	.29	.18	.18	.18	.13
1	.56	.53	.50	.48	.49	.47	.45	.43	.36	.34	.33	.25	.24	.24	.16	.15	.15	.10
2	.50	.46	.42	.39	.44	.41	.37	.35	.31	.29	.27	.22	.21	.19	.14	.13	.12	.08
3	.46	.40	.36	.32	.40	.36	.32	.29	.27	.25	.22	.19	.18	.16	.12	.11	.10	.07
4	.42	.35	.31	.27	.37	.31	.27	.24	.24	.21	.19	.17	.15	.14	.11	.10	.09	.06
5	.38	.31	.27	.23	.34	.28	.24	.21	.21	.18	.16	.15	.13	.12	.09	.08	.07	.05
6	.35	.28	.23	.20	.31	.25	.21	.18	.19	.16	.14	.14	.12	.10	.08	.07	.06	.04
7	.32	.25	.21	.17	.29	.22	.18	.16	.17	.14	.12	.12	.10	.09	.08	.06	.06	.04
8	.30	.23	.18	.15	.26	.20	.16	.14	.16	.13	.11	.11	.09	.08	.07	.06	.05	.03
9	.28	.21	.16	.13	.25	.18	.15	.12	.14	.11	.09	.10	.08	.07	.06	.05	.04	.03
10	.26	.19	.15	.12	.23	.17	.13	.11	.13	.10	.08	.09	.07	.06	.06	.05	.04	.02

TESTED IN ACCORDANCE WITH CURRENT IES PROCEDURES